

SECTION 3

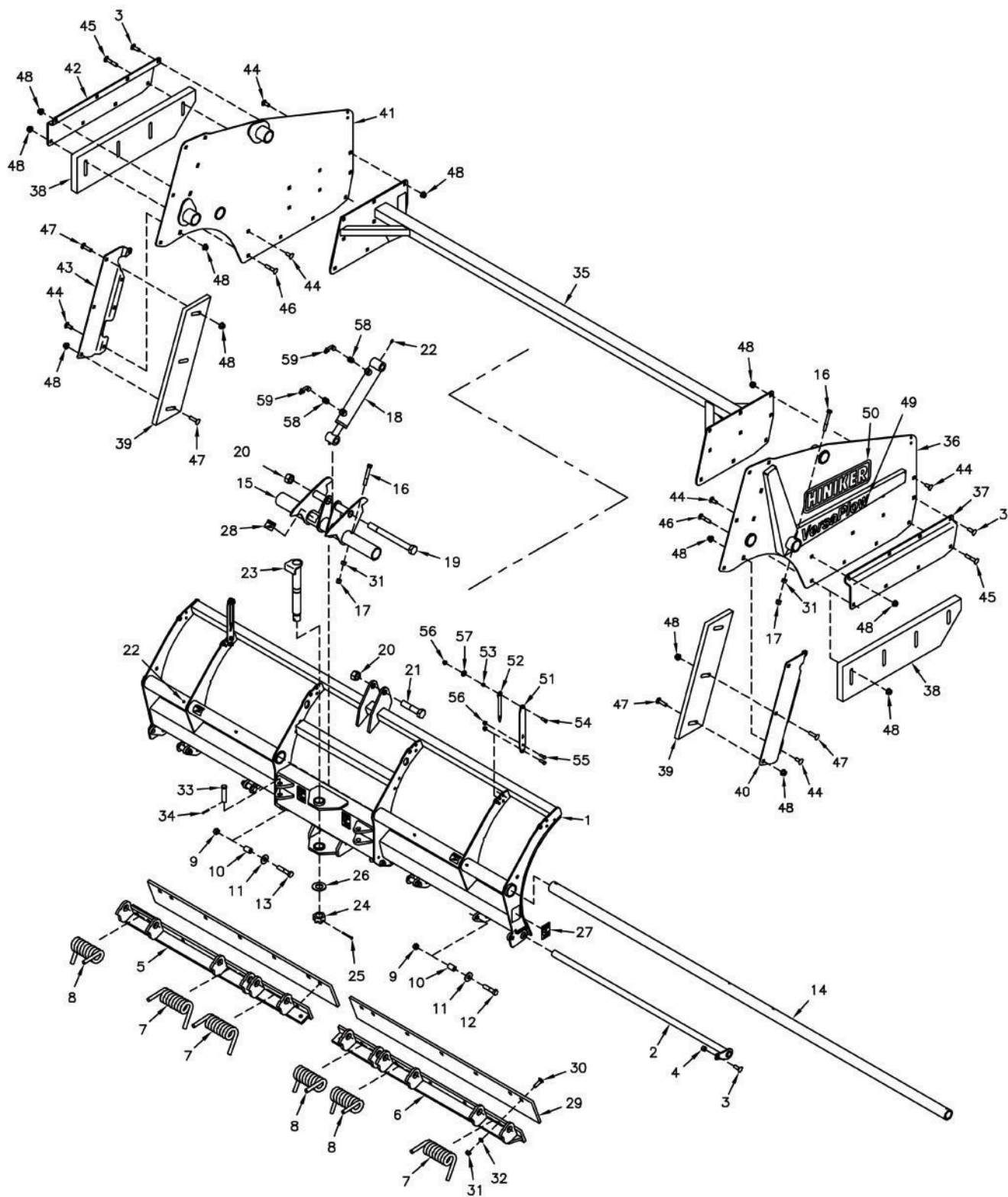
VERSA PLOW

MODELS 4208, 4210

| | |
|------------------|---|
| PAGE 2, 3 | MOLDBOARD ASSEMBLIES |
| PAGE 4 | FLOATING HITCH ASSEMBLY |
| PAGE 5 | UNIVERSAL MOUNT FIXED HITCH ASSEMBLY |
| PAGE 6 | HYDRAULIC OVERVIEW |
| PAGE 7 | 14-PIN ELECTRICAL HARNESS 7-PIN ELECTRICAL HARNESS |
| PAGE 8 | UNIVERSAL CONTROLLER ELECTRICAL WIRING 1 3/4X10 HYDRAULIC ANGLING CYLINDER |
| PAGE 9 | 2X8 DA HYDRAULIC CYLINDER VALVE MANIFOLD WITH CROSSOVER RELIEF |
| PAGE 10 | CUTTING EDGES HYDRAULIC COUPLER KIT |
| PAGE 11 | WEAR PLATE KIT |

MOLDBOARD ASSEMBLIES

3



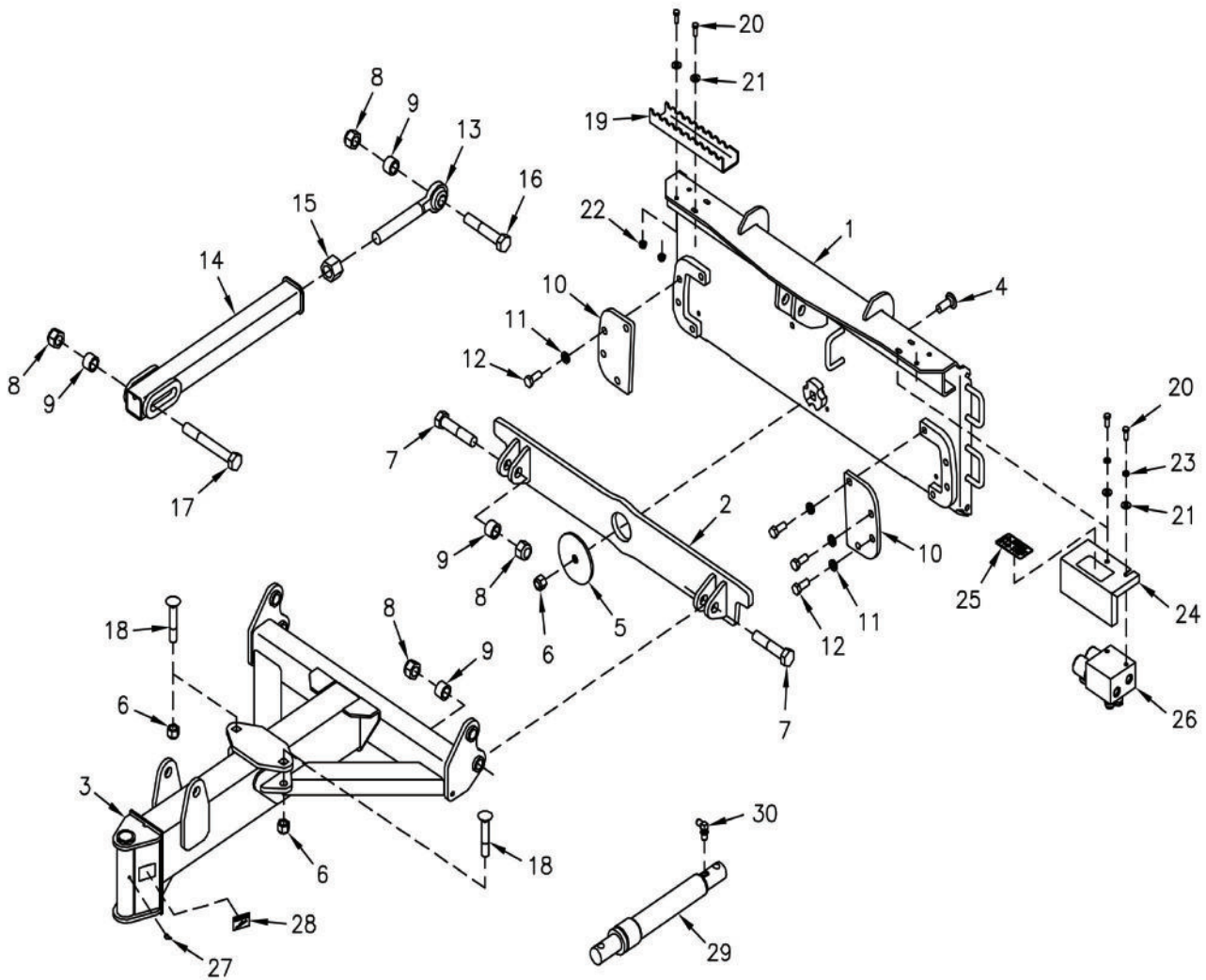
VERSA PLOW

| REF. NO. | PART NUMBER | DESCRIPTION | QTY. | REF. NO. | PART NUMBER | DESCRIPTION | QTY. |
|----------|-------------|---|------|----------|-------------|---|------|
| 1 | 27000303 | Moldboard Frame Weld 8 Ft (Shown) | 1 | 28 | 79203259 | Decal Grease | 4 |
| | 27000304 | Moldboard Frame Weld 10 Ft | 1 | 29 | 25012027 | 1/2 x 48 Cutting Edge for 8 Ft Plow | 2 |
| 2 | 27000305 | Trip Pin Weldment 8 Ft Plow | 2 | | 27000228 | 1/2 x 60 Cutting Edge for 10 Ft Plow | 2 |
| | 27000306 | Trip Pin Weldment 10 Ft Plow | 2 | 30 | 950-003-058 | Carriage Bolt 1/2-13 x 1 3/4 Gr. 5 | 14 |
| 3 | 030-16132 | Carriage Bolt 1/2-13 x 1 1/2 Gr. 5 | 8 | 31 | 951-001-007 | Hex Nut 1/2-13 | 18 |
| 4 | 10304 | Lock Nut 1/2-13 2-Way | 2 | 32 | 952-001-004 | Lock Washer 1/2 Inch | 14 |
| 5 | 27000307 | LH Trip Edge Weld 8 Ft Plow | 1 | 33 | 953-002-035 | Clevis Pin 3/4 x 3 1/4 Gr. 5 | 2 |
| | 27000309 | LH Trip Edge Weld 10 Ft Plow | 1 | 34 | 035-42033 | Cotter Pin 5/32 x 1 1/4 | 2 |
| 6 | 27000308 | RH Trip Edge Weld 8 Ft Plow | 1 | 35 | 27000311 | Box End Tube Gusset Weld 8 Ft Plow | 1 |
| | 27000310 | RH Trip Edge Weld 10 Ft Plow | 1 | | 27000312 | Box End Tube Gusset Weld 10 Ft Plow | 1 |
| 7 | 25013404 | Helical Torsion Spring LH Wound-8 Ft Plow | 3 | 36 | 27000140 | RH Box End Weldment | 1 |
| | 25013404 | Helical Torsion Spring LH Wound-10 Ft Plow | 4 | 37 | 27000143 | RH Cut Edge Backup Plate | 1 |
| 8 | 25013403 | Helical Torsion Spring RH Wound-8 Ft Plow | 3 | 38 | 27000141 | Bottom Cut Edge Urethane | 2 |
| | 25013403 | Helical Torsion Spring RH Wound-10 Ft Plow | 4 | 39 | 27000144 | Back Drag Cut Edge Urethane | 2 |
| 9 | 951-005-082 | Lock Nut 5/8-11 Uni-Torque | A/R | 40 | 27000146 | RH Back Drag Backup Plate | 1 |
| 10 | 25013406 | Bushing | A/R | 41 | 27000139 | LH Box Wing Weldment | 1 |
| 11 | 952-002-007 | Flat Washer 5/8 Inch | A/R | 42 | 27000142 | LH Cut Edge Backup Plate | 1 |
| 12 | 031-06308 | Hex Head Cap Screw 5/8-11 x 2 3/4 Gr. 5 | A/R | 43 | 27000145 | LH Back Drag Backup Plate | 1 |
| 13 | 950-001-141 | Hex Head Cap Screw 5/8-11 x 3 Gr. 5 | 2 | 44 | 950-003-028 | Carriage Bolt 1/2-13 x 1 1/4 Gr. 5 | 16 |
| 14 | 27000095 | Pivot Pin 8 Ft Plow | 1 | 45 | 950-003-020 | Carriage Bolt 1/2-13 x 2 3/4 Gr. 5 | 6 |
| | 27000094 | Pivot Pin 10 Ft Plow | 1 | 46 | 030-16136 | Carriage Bolt 1/2-13 x 2 1/2 Gr. 5 | 2 |
| 15 | 27000100 | Pivot Weldment | 1 | 47 | 950-003-025 | Carriage Bolt 1/2-13 x 2 Gr. 5 | 6 |
| 16 | 950-001-364 | Hex Head Cap Screw 1/2-13 x 3 3/4 Gr. 8 | 4 | 48 | 951-005-055 | Lock Nut 1/2-13 Mac Lock | 36 |
| 17 | 951-003-009 | Lock Nut 1/2-13 Nylon Insert | 4 | 49 | 27000147 | Versa Plow Decal | 2 |
| 18 | 27000110 | Hydraulic Cylinder 2 x 8 (See Sec. 3, P. 9) | 1 | 50 | 27000313 | Hiniker Decal | 2 |
| 19 | 950-001-281 | Hex Head Cap Screw 1-8 x 11 Gr. 5 | 1 | 51 | 27000152 | Leveling Mounting Bar | 2 |
| 20 | 30008667 | Lock Nut 1-8 2-Way | 2 | 52 | 27000153 | Leveling Bar | 2 |
| 21 | 950-001-170 | Hex Head Cap Screw 1-8 x 4 1/2 Gr. 5 | 1 | 53 | 27000154 | Bushing | 2 |
| 22 | 203-50003 | Zerk 1/4-8 | 8 | 54 | 950-001-110 | Hex Head Cap Screw 5/16-18 x 1" Gr. 5 | 2 |
| 23 | 27000101 | Pivot Pin Weldment | 1 | 55 | 950-001-113 | Hex Head Cap Screw 5/16-18 x 3/4" Gr. 5 | 4 |
| 24 | 951-005-091 | Slotted Hex Nut 1 1/4-12 | 1 | 56 | 951-005-036 | Lock Nut 5/16-18 Mac Nut | 6 |
| 25 | 953-001-025 | Cotter Pin 7/32 x 2 | 1 | 57 | 952-003-004 | SAE Flat Washer 1/2 Inch | 2 |
| 26 | 033-11017 | SAE Flat Washer 1 1/4 Inch | 1 | 58 | 956-008-024 | Restrictor Fitting 9/16 JIC x 3/4 ORB | 2 |
| 27 | 25013529 | Decal Warning | 4 | 59 | 956-005-002 | Fitting Elbow 9/16 JIC x 9/16 JIC | 2 |

SEC 3

FLOATING HITCH ASSEMBLY

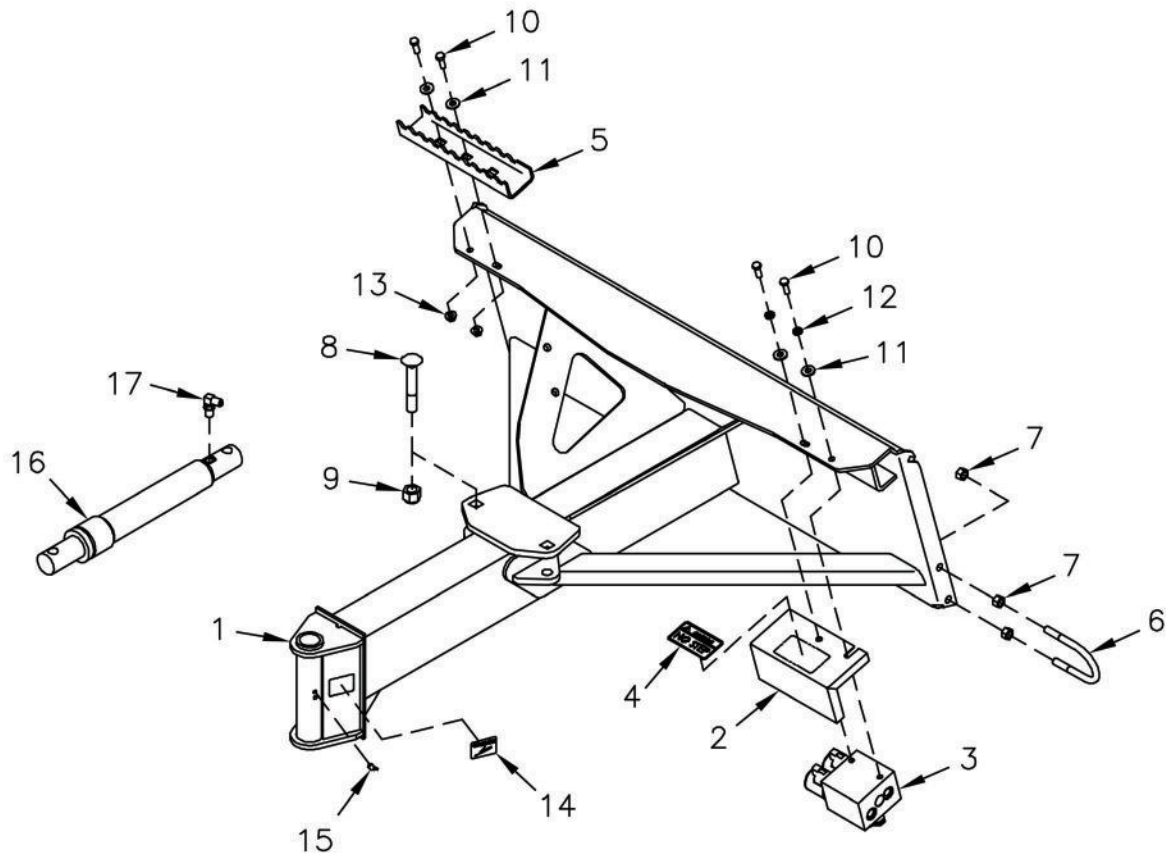
SEC 3



DWG. NO. 7761

| REF. NO. | PART NUMBER | DESCRIPTION | QTY. | REF. NO. | PART NUMBER | DESCRIPTION | QTY. |
|----------|-------------|---|------|----------|-------------|--|------|
| 1 | 27000268 | Mount Plate Weldment | 1 | 16 | 950-001-215 | Hex Head Cap Screw 1-8 x 5 1/2 Gr. 8 | 1 |
| 2 | 27000274 | Oscillation Bar Weldment | 1 | 17 | 950-001-367 | Hex Head Cap Screw 1-8 x 7 1/2 Gr. 8 | 1 |
| 3 | 27000296 | Push Frame Weldment | 1 | 18 | 950-003-089 | Carriage Bolt 3/4-10 x 4 1/2 Gr. 5 | 2 |
| 4 | 950-003-056 | Carriage Bolt 3/4-10 x 2 Gr. 5 | 1 | 19 | 27000230 | Step | 1 |
| 5 | 27000292 | Washer | 1 | 20 | 950-001-105 | Hex Head Cap Screw 3/8-16 x 1 Gr. 5 | 4 |
| 6 | 951-003-010 | Lock Nut 3/4-10 Nylon Insert | 3 | 21 | 952-002-003 | Flat Washer 3/8 Inch | 4 |
| 7 | 950-001-368 | Hex Head Cap Screw 1-8 x 4 3/4 Gr. 8 | 2 | 22 | 951-005-003 | Lock Nut 3/8-16 Mac Lock | 2 |
| 8 | 062041 | Lock Nut 1-8 Nylon Insert | 4 | 23 | 952-001-007 | Lock Washer 3/8 Inch | 2 |
| 9 | 27000293 | Spacer Bushing | 4 | 24 | 25013054 | Valve Manifold Cover | 1 |
| 10 | 27000294 | Stop Plate | 2 | 25 | 715-04016 | Decal-No Step | 1 |
| 11 | 952-001-005 | Lock Washer 5/8 Inch | 8 | 26 | 27000221 | Valve Manifold Assembly (See Sec. 3, P. 9) | 1 |
| 12 | 950-001-087 | Hex Head Cap Screw 5/8-11 x 1 1/2 Gr. 5 | 8 | 27 | 203-50000 | Grease Zerk 1/4-28 | 1 |
| 13 | 80305337 | Spherical Ball End Link | 1 | 28 | 79203259 | Decal Grease | 1 |
| 14 | 27000286 | Floating Link Weld | 1 | 29 | 25011020 | 1 3/4 x 10 Hydraulic Cylinder (See Sec. 3, P. 8) | 2 |
| 15 | 951-001-022 | Hex Nut 1 1/4-7 | 1 | 30 | 956-005-032 | 90° Restricted Adapter 9/16 ORB x 9/16 JIC | 2 |

UNIVERSAL MOUNT FIXED HITCH ASSEMBLY

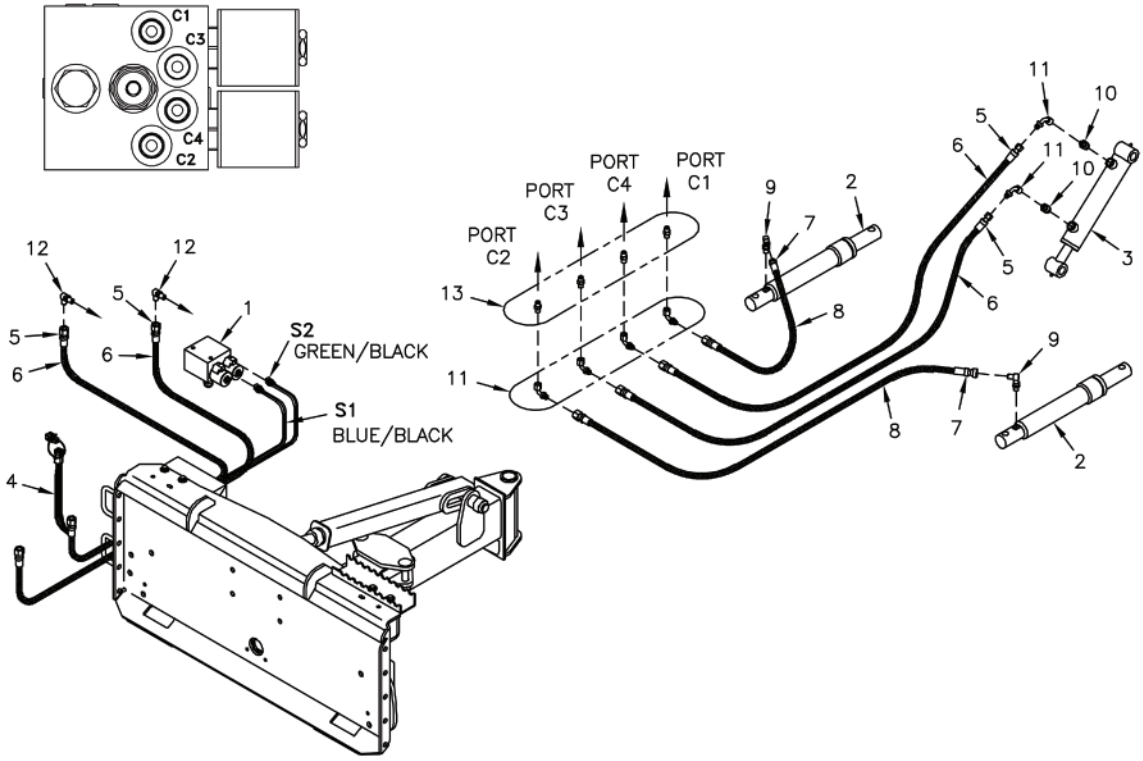


DWG. NO. 7762

| REF. NO. | PART NUMBER | DESCRIPTION | QTY. | REF. NO. | PART NUMBER | DESCRIPTION | QTY. |
|----------|-------------|--|------|----------|-------------|--|------|
| 1 | 27000185 | Push Frame Weld | 1 | 10 | 950-001-105 | Hex Head Cap Screw 3/8-16 x 1" Gr. 5 | 4 |
| 2 | 25013054 | Valve Manifold Cover | 1 | 11 | 952-002-003 | Flat Washer 3/8 Inch | 4 |
| 3 | 27000221 | Valve Assy w/out Restrictor (See Sec. 3, P. 9) | 1 | 12 | 952-001-007 | Lock Washer 3/8 Inch | 2 |
| 4 | 715-04016 | Decal No Step | 1 | 13 | 951-002-003 | Lock Nut 3/8-16 Whiz Lock | 2 |
| 5 | 27000230 | Step | 1 | 14 | 79203259 | Decal Grease | 1 |
| 6 | 25013162 | U-Bolt 1/2-13 x 3 1/2 x 4 1/2 | 1 | 15 | 203-50000 | Zerk 1/4-28 | 1 |
| 7 | 951-001-007 | Hex Nut 1/2-13 | 4 | 16 | 25011020 | 1 3/4 x 10 Hydraulic Cylinder (See Sec. 3, P. 8) | 2 |
| 8 | 950-003-089 | Carriage Bolt 3/4-10 x 4 1/2 Gr. 5 | 2 | 17 | 956-005-032 | 90° Restricted Adapter 9/16 ORB x 9/16 JIC | 2 |
| 9 | 951-003-010 | Nut 3/4-10 Nylon Insert | 2 | | | | |

HYDRAULIC OVERVIEW

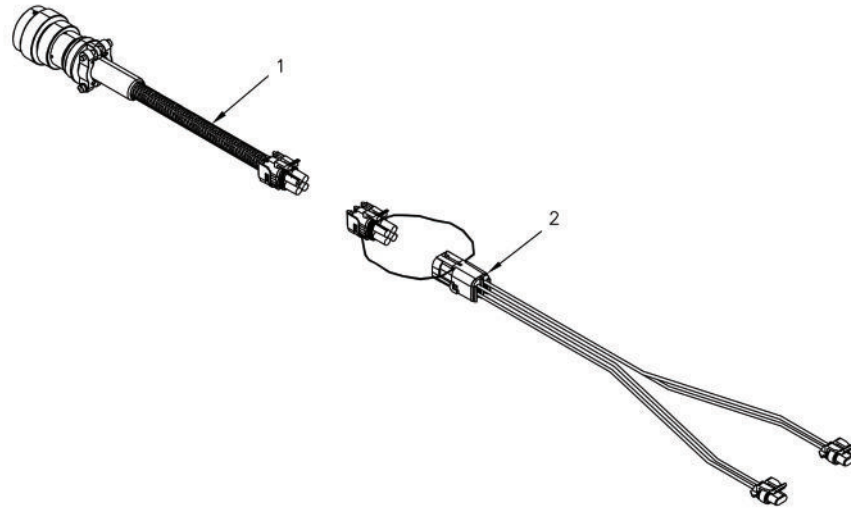
SEC 3



DWG. NO. 7763

| REF. NO. | PART NUMBER | DESCRIPTION | QTY. | REF. NO. | PART NUMBER | DESCRIPTION | QTY. |
|----------|-------------|---|------|----------|-------------|--|------|
| 1 | 27000221 | Valve Manifold Assembly (See Sec. 3, P. 9) | 1 | 8 | 25011130 | Nylon Sleeve 40" | 2 |
| 2 | 25011020 | 1 3/4 x 10 Cylinder (See Sec. 3, P. 8) | 2 | 9 | 956-005-032 | 90° Restricted Adapter 9/16 ORB x 9/16 JIC | 2 |
| 3 | 27000110 | 2 x 8 Hydraulic Cylinder (See Sec. 3, P. 9) | 1 | 10 | 956-008-024 | Restrictor Fitting 9/16 JIC x 3/4 ORB | 2 |
| 4 | 38813064 | Skid Steer Plow Harness | 1 | 11 | 956-005-002 | Fitting Elbow 9/16 JIC x 9/16 JIC | 6 |
| 5 | 957-001-017 | Hose Assembly 3/8 x 72 | 4 | 12 | 956-005-022 | Fitting Elbow 9/16 JIC x 9/16 JIC | 2 |
| 6 | 25011131 | Nylon Sleeve 72" | 4 | 13 | 206-01024 | Straight Adapter 9/16 JIC x 9/16 ORB | 4 |
| 7 | 957-010-007 | Hose Assembly 1/4 x 40 | 2 | | | | |

14 PIN ELECTRICAL ASSEMBLY

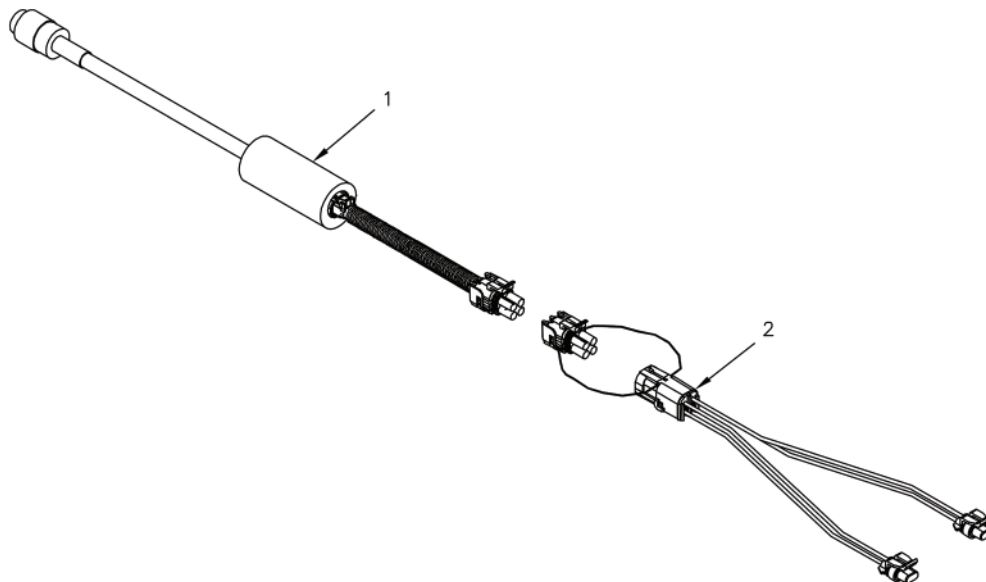


DWG. NO. 7666

| REF. NO. | PART NUMBER | DESCRIPTION | QTY. | REF. NO. | PART NUMBER | DESCRIPTION | QTY. |
|----------|-------------|---|------|----------|-------------|-------------------------|------|
| 1 | 38813129 | 14 Pin Electrical Assembly Kit Versa Plow | 1 | 2 | 38813064 | Skid Steer Plow Harness | 1 |

SEC 3

7 PIN ELECTRICAL ASSEMBLY

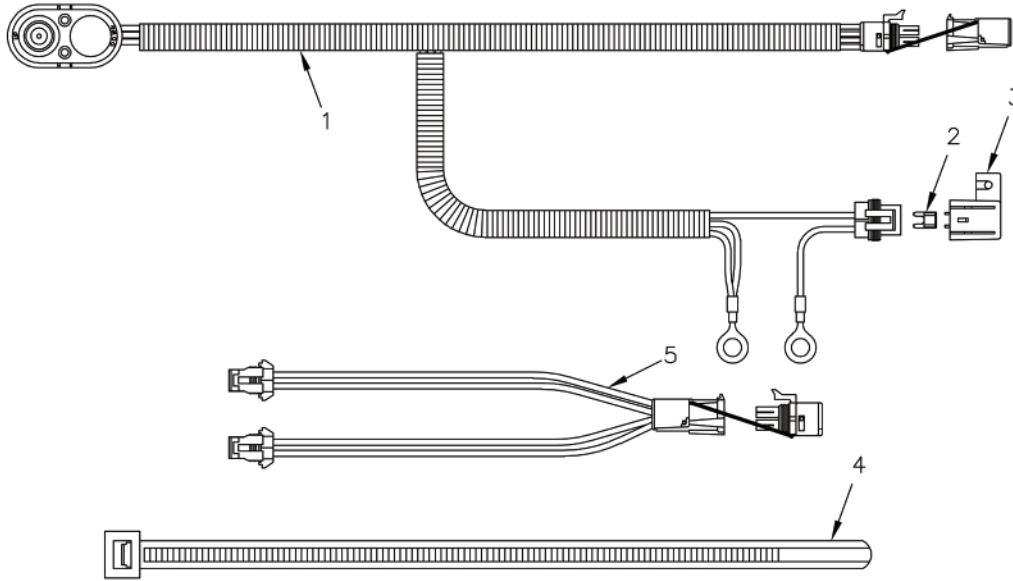


DWG. NO. 7667

| REF. NO. | PART NUMBER | DESCRIPTION | QTY. | REF. NO. | PART NUMBER | DESCRIPTION | QTY. |
|----------|-------------|--|------|----------|-------------|-------------------------|------|
| 1 | 38813128 | 7 Pin Electrical Assembly Kit Versa Plow | 1 | 2 | 38813064 | Skid Steer Plow Harness | 1 |

VERSA FLOW

UNIVERSAL CONTROLLER ELECTRICAL WIRING

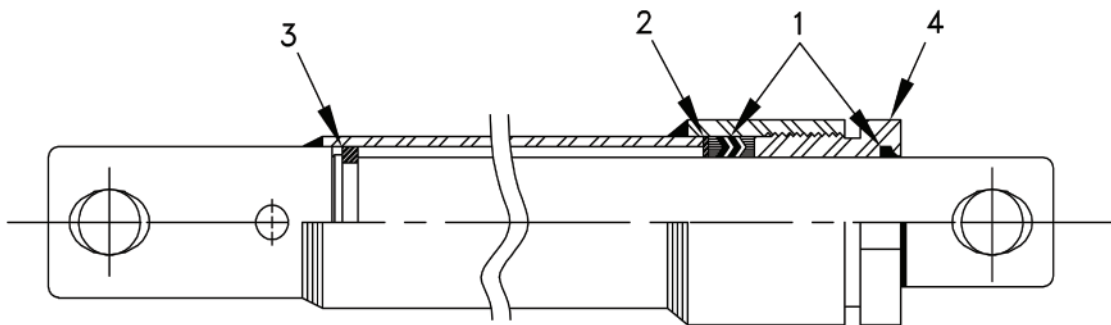


38813130 Universal Controller Wiring Kit

DWG. NO. 5226

| REF. NO. | PART NUMBER | DESCRIPTION | QTY. | REF. NO. | PART NUMBER | DESCRIPTION | QTY. |
|----------|-------------|------------------------------|------|----------|-------------|---------------------------------|------|
| 1 | 38813063 | Universal Skid Steer Harness | 1 | 4 | 921-001-108 | Plastic Cable Tie 3/8 x 28 Inch | A/R |
| 2 | 39207031 | Fuse, 10 Amp ATO/ATC | 1 | 5 | 38813064 | Skid Steer Plow Harness | 1 |
| 3 | 38400012 | Cover, Fuse Holder | 1 | | | | |

1 3/4 SA HYDRAULIC ANGLING CYLINDER



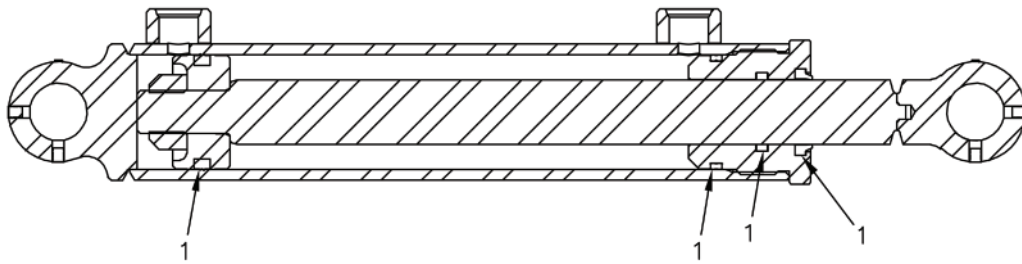
25011020 1 3/4 x 10 Cylinder

DWG. NO. 6141

| REF. NO. | PART NUMBER | DESCRIPTION | QTY. | REF. NO. | PART NUMBER | DESCRIPTION | QTY. |
|----------|-------------|------------------------|------|----------|-------------|--------------------------|------|
| 1 | 25010711 | Seal Kit 1 3/4" Rod | 1 | 3 | 25010707 | Guide Ring - 1 3/4" Rod | 1 |
| 2 | 25010706 | Seat Ring - 1 3/4" Rod | 1 | 4 | 25010708 | Packing Nut - 1 3/4" Rod | 1 |

SEC 3

2 X 8 DA HYDRAULIC CYLINDER



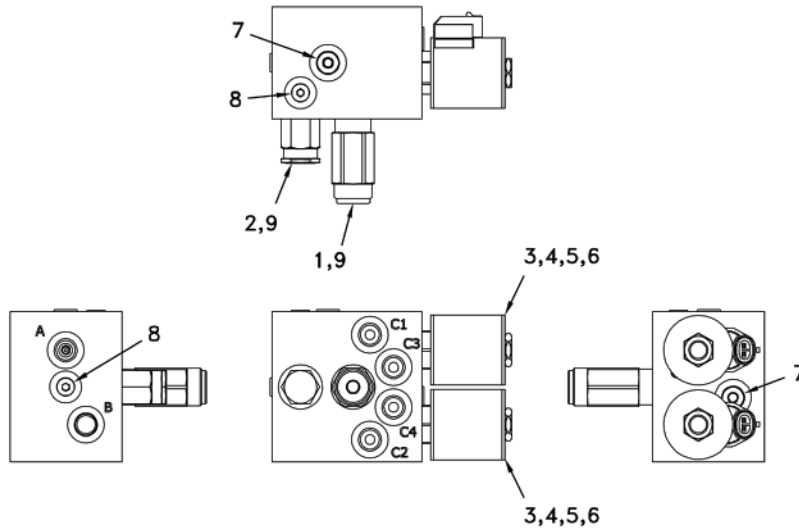
SEC 3

27000110 2" x 8" Double-Acting Cylinder

DWG. NO. 7668

| REF. NO. | PART NUMBER | DESCRIPTION | QTY. | REF. NO. | PART NUMBER | DESCRIPTION | QTY. |
|----------|-------------|-------------|------|----------|-------------|-------------|------|
| 1 | 27000180 | Seal Kit | 1 | | | | |

VALVE MANIFOLD WITH CROSSOVER RELIEF



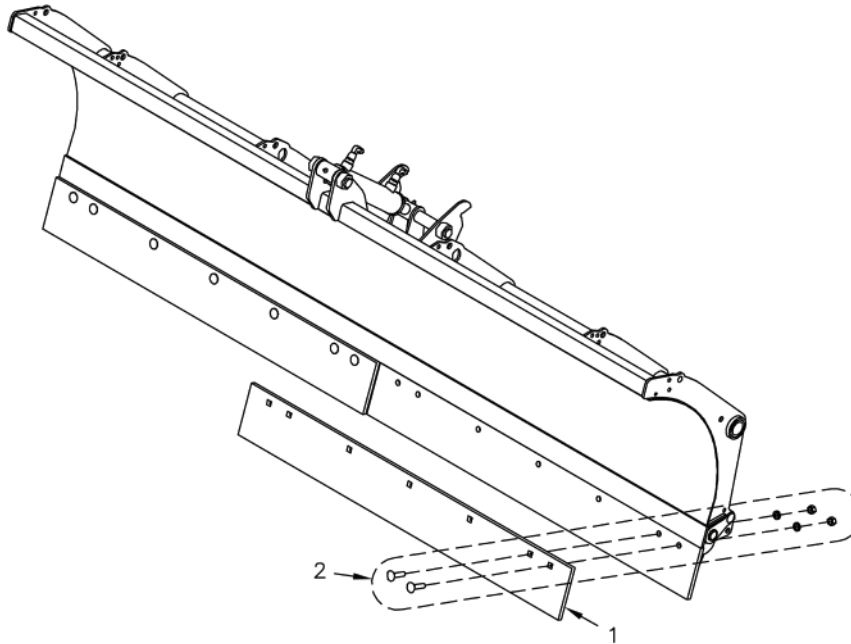
27000221 Valve Manifold w/Crossover Relief

DWG. NO. 7669

| REF. NO. | PART NUMBER | DESCRIPTION | QTY. | REF. NO. | PART NUMBER | DESCRIPTION | QTY. |
|----------|-------------|------------------------|------|----------|-------------|-------------------------|------|
| 1 | 25011110 | Relief Valve | 1 | 6 | 25011114 | Solenoid Valve Seal Kit | 1 |
| 2 | 27000298 | Crossover Relief Valve | 1 | 7 | 25011111 | SAE Plug #6 | 2 |
| 3 | 25011109 | Solenoid Valve | 2 | 8 | 25013058 | SAE Plug #4 | 2 |
| 4 | 25011108 | 10 Size E-Coil 12 VDC | 2 | 9 | 25010992 | Relief Valve Seal Kit | 1 |
| 5 | 25011107 | E-Coil Nut | 2 | | | | |

VERSA PLOW

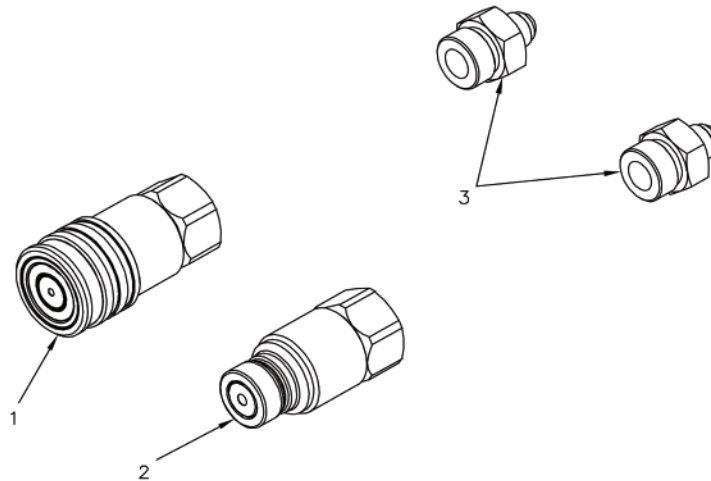
CUTTING EDGE



DWG. NO. 7764

| REF. NO. | PART NUMBER | DESCRIPTION | QTY. | REF. NO. | PART NUMBER | DESCRIPTION | QTY. |
|----------|-------------|--------------------------------|------|----------|-------------|-----------------------|------|
| 1 | 25012027 | 1/2 x 48 Cutting Edge 8' Plow | 2 | 2 | 25011042 | Cutting Edge Bolt Kit | 1 |
| | 27000228 | 1/2 x 60 Cutting Edge 10' Plow | 2 | | | | |

HYDRAULIC COUPLER KIT



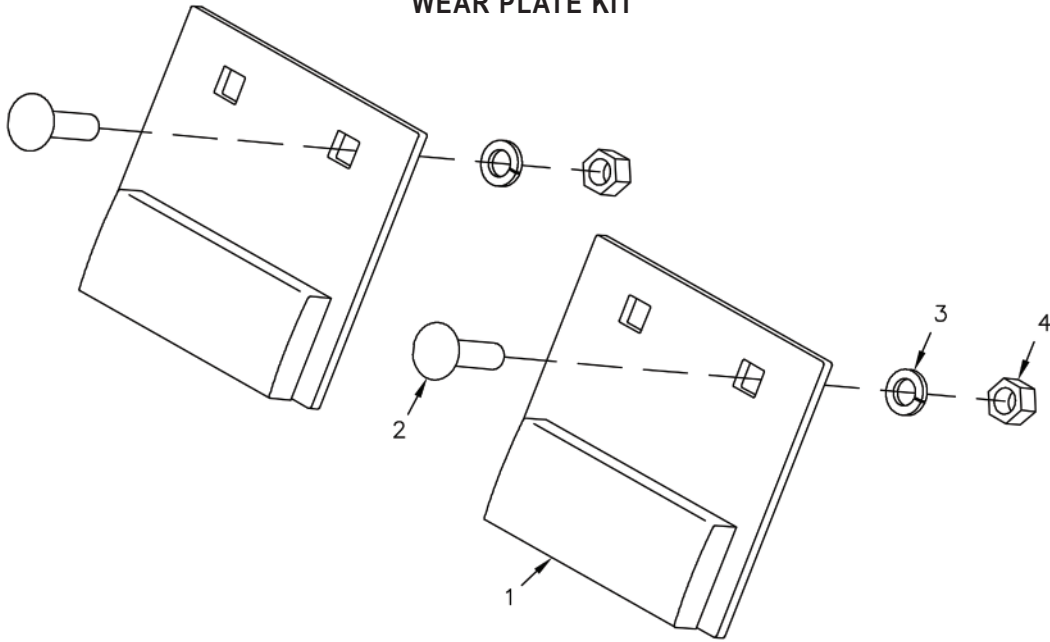
27000250 Hydraulic Coupler Kit

DWG. NO. 7671

| REF. NO. | PART NUMBER | DESCRIPTION | QTY. | REF. NO. | PART NUMBER | DESCRIPTION | QTY. |
|----------|-------------|-------------------------------------|------|----------|-------------|-------------------------------------|------|
| 1 | 27000252 | Hydraulic Coupler Female FEM Series | 1 | 3 | 956-003-031 | Straight Adapter 9/16 JIC x 7/8 ORB | 2 |
| 2 | 27000251 | Hydraulic Nipple FEM Series | 1 | | | | |

SECTION 3

WEAR PLATE KIT



25012587 Wear Plate Kit

DWG. NO. 6331

| REF. NO. | PART NUMBER | DESCRIPTION | QTY. | REF. NO. | PART NUMBER | DESCRIPTION | QTY. |
|----------|-------------|------------------------------------|------|----------|-------------|----------------------|------|
| 1 | 25012588 | Wear Plate Weldment | 2 | 3 | 952-001-004 | Lock Washer 1/2 Inch | 4 |
| 2 | 950-003-058 | Carriage Bolt 1/2-13 x 1 3/4 Gr. 5 | 4 | 4 | 951-001-007 | Hex Nut 1/2-13 | 4 |

SECTION 3