

SECTION 2 SNOW PUSHER

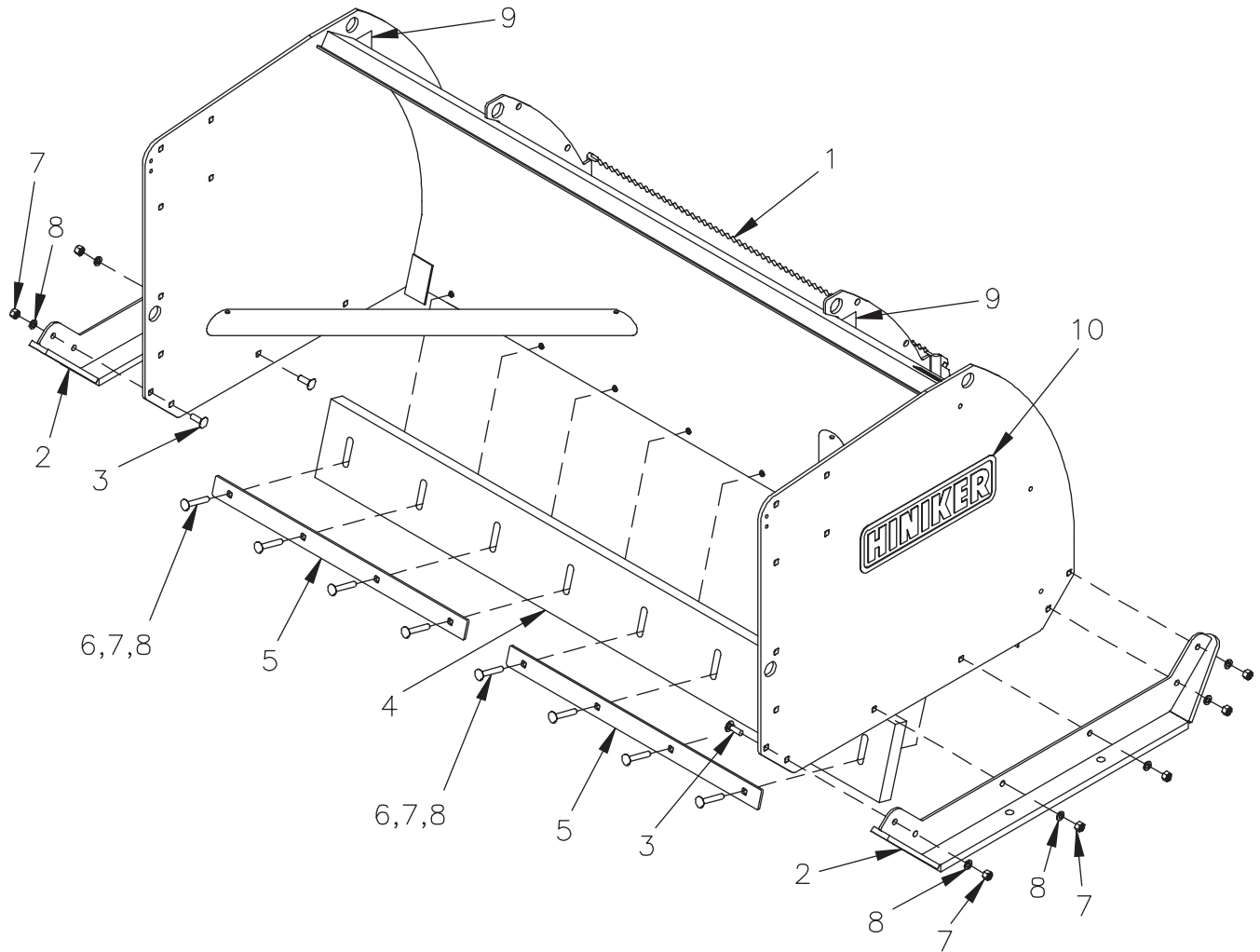
MODELS: 3607, 3608, 3610

| | |
|---------------|----------------------------------|
| PAGE 2 | 7 FOOT PUSHER ASSEMBLY |
| PAGE 3 | 8 FOOT PUSHER ASSEMBLY |
| PAGE 4 | 10 FOOT PUSHER ASSEMBLY |
| PAGE 5 | 7 FOOT PULLBACK ASSEMBLY |
| PAGE 6 | 8 FOOT PULLBACK ASSEMBLY |
| PAGE 7 | 10 FOOT PULLBACK ASSEMBLY |

SKID STEER LOADER SNOW PUSHER

7 FOOT PUSHER ASSEMBLY

SECTION 2



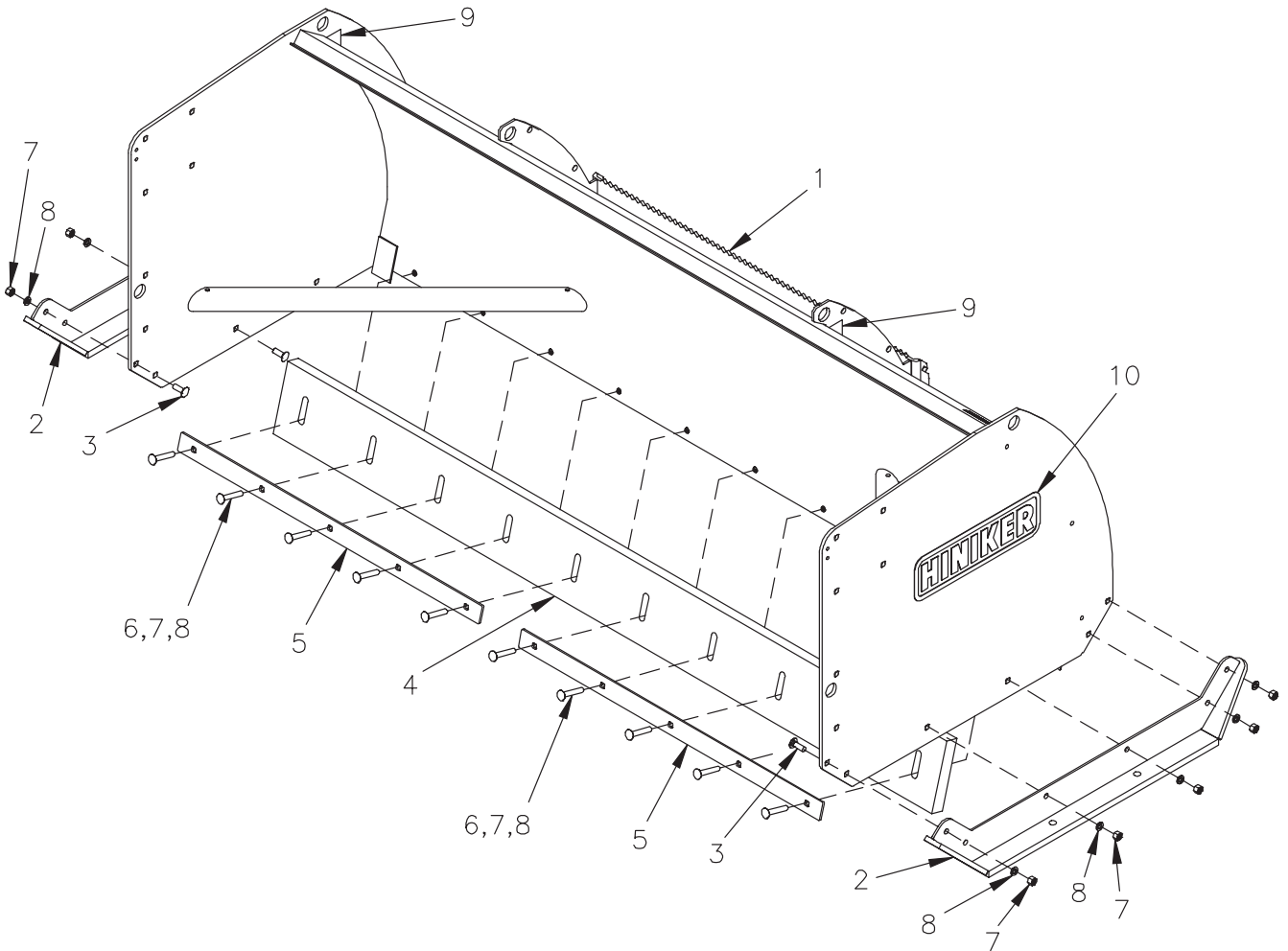
DWG. NO. 7592

| REF. NO. | PART NUMBER | DESCRIPTION | QTY. | REF. NO. | PART NUMBER | DESCRIPTION | QTY. |
|----------|-------------|------------------------------------|------|----------|-------------|--------------------------------|------|
| 1 | 27000048 | 7 Ft. Snow Pusher Weldment | 1 | 6 | 030-16138 | Carriage Bolt 1/2-13 x 3 Gr. 5 | 8 |
| 2 | 27000035 | Wear Shoe Weldment | 2 | 7 | 951-001-007 | Hex Nut 1/2-13 | 20 |
| 3 | 030-16132 | Carriage Bolt 1/2-13 x 1 1/2 Gr. 5 | 12 | 8 | 952-001-004 | Lock Washer 1/2 Inch | 20 |
| 4 | 27000047 | Scraper Blade Rubber 7 Ft. | 1 | 9 | 715-030174 | Decal, Lift Here | 4 |
| 5 | 27000046 | Bolting Strip Scraper Blade | 2 | 10 | 79202024 | Decal, Hiniker | 2 |

SKID STEER LOADER SNOW PUSHER

8 FOOT PUSHER ASSEMBLY

SECTION
2



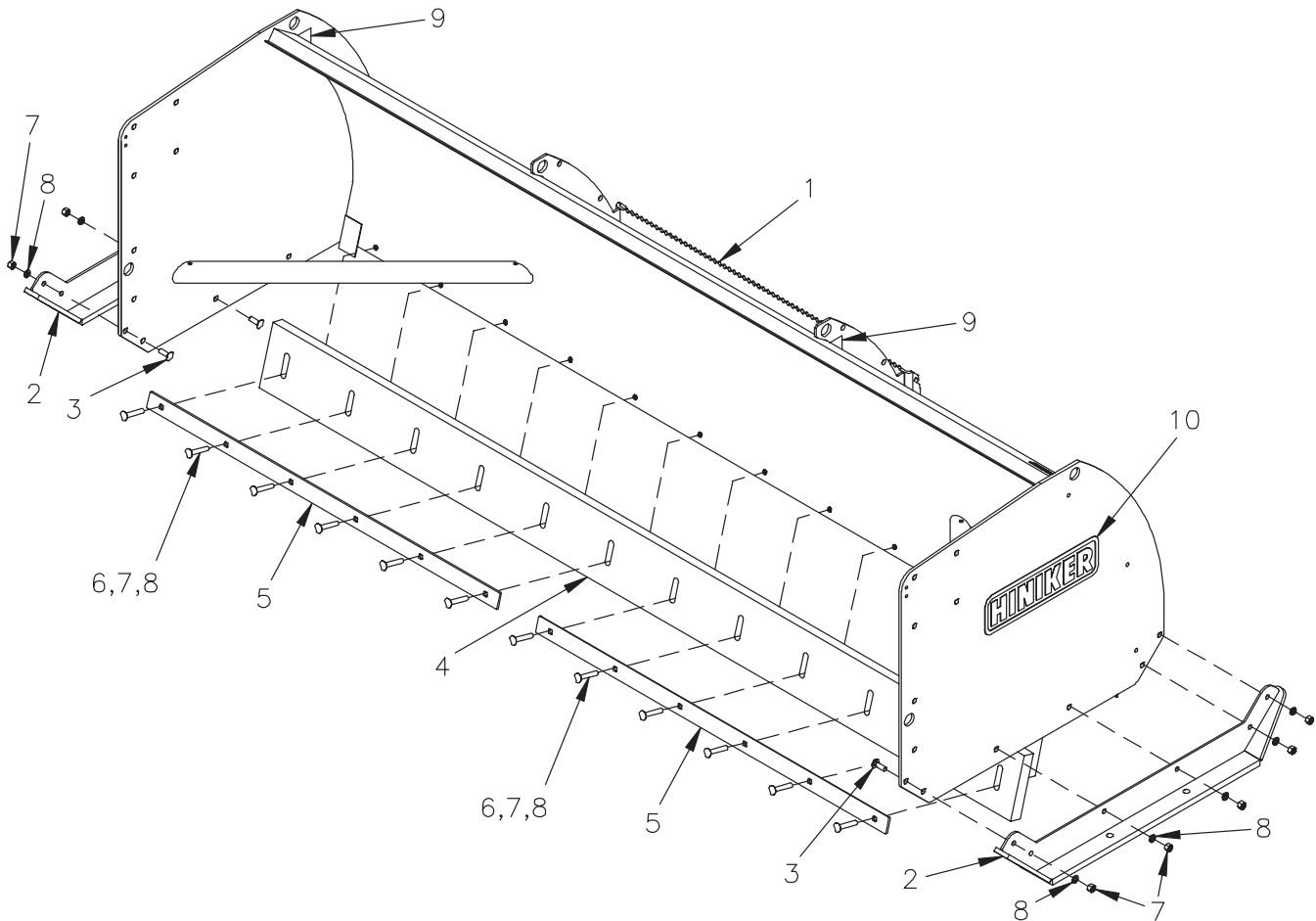
DWG. NO. 7535

| REF. NO. | PART NUMBER | DESCRIPTION | QTY. | REF. NO. | PART NUMBER | DESCRIPTION | QTY. |
|----------|-------------|------------------------------------|------|----------|-------------|--------------------------------|------|
| 1 | 27000014 | 8 Ft. Snow Pusher Weldment | 1 | 6 | 030-16138 | Carriage Bolt 1/2-13 x 3 Gr. 5 | 10 |
| 2 | 27000035 | Wear Shoe Weldment | 2 | 7 | 951-001-007 | Hex Nut 1/2-13 | 22 |
| 3 | 030-16132 | Carriage Bolt 1/2-13 x 1 1/2 Gr. 5 | 12 | 8 | 952-001-004 | Lock Washer 1/2 Inch | 22 |
| 4 | 27000027 | Scraper Blade Rubber 8 Ft. | 1 | 9 | 715-030174 | Decal, Lift Here | 4 |
| 5 | 27000029 | Bolting Strip Scraper Blade | 2 | 10 | 79202024 | Decal, Hiniker | 2 |

SKID STEER LOADER SNOW PUSHER

10 FOOT PUSHER ASSEMBLY

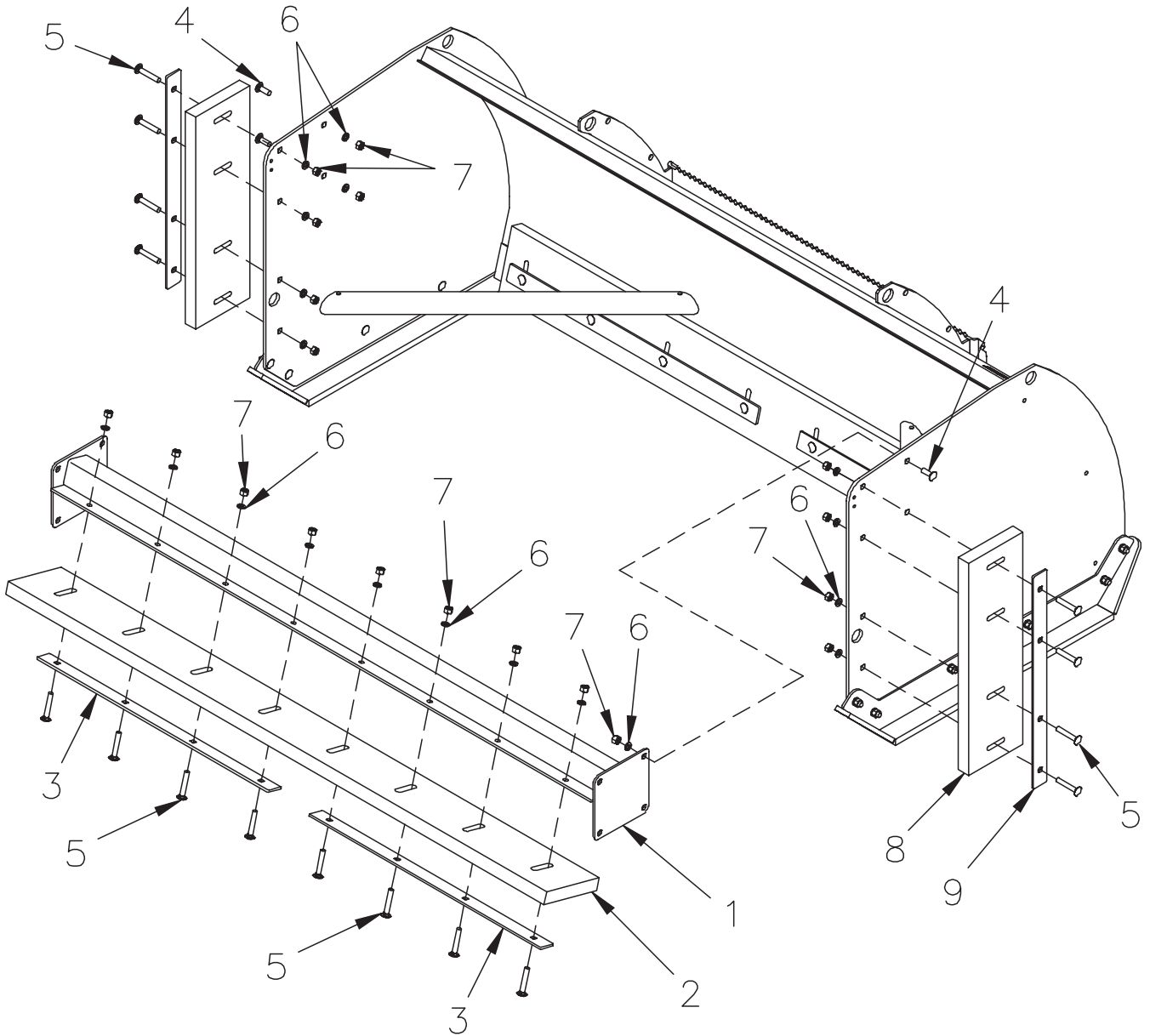
SECTION 2



DWG. NO. 7536

| REF. NO. | PART NUMBER | DESCRIPTION | QTY. | REF. NO. | PART NUMBER | DESCRIPTION | QTY. |
|----------|-------------|------------------------------------|------|----------|-------------|--------------------------------|------|
| 1 | 27000015 | 10 Ft. Snow Pusher Weldment | 1 | 6 | 030-16138 | Carriage Bolt 1/2-13 x 3 Gr. 5 | 12 |
| 2 | 27000035 | Wear Shoe Weldment | 2 | 7 | 951-001-007 | Hex Nut 1/2-13 | 24 |
| 3 | 030-16132 | Carriage Bolt 1/2-13 x 1 1/2 Gr. 5 | 12 | 8 | 952-001-004 | Lock Washer 1/2 Inch | 24 |
| 4 | 27000028 | Scraper Blade Rubber 10 Ft. | 1 | 9 | 715-030174 | Decal, Lift Here | 4 |
| 5 | 27000034 | Bolting Strip Scraper Blade | 2 | 10 | 79202024 | Decal, Hiniker | 2 |

7 FOOT PULLBACK ASSEMBLY



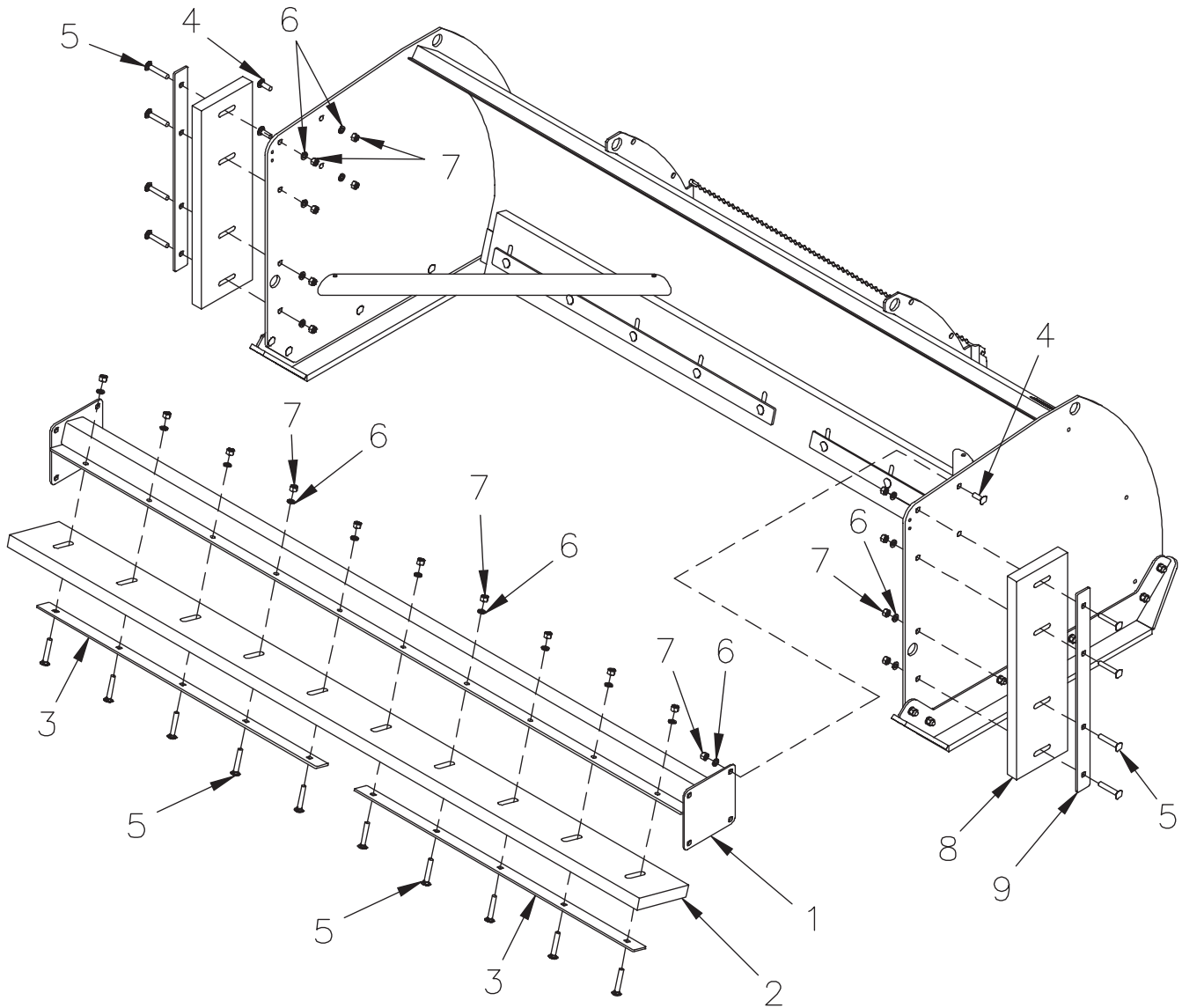
DWG. NO. 7593

| REF. NO. | PART NUMBER | DESCRIPTION | QTY. | REF. NO. | PART NUMBER | DESCRIPTION | QTY. |
|----------|-------------|------------------------------------|------|----------|-------------|----------------------|------|
| 1 | 27000051 | Pullback Scraper Weldment 7 Ft. | 1 | 6 | 952-001-004 | Lock Washer 1/2 Inch | 20 |
| 2 | 27000054 | Scraper Blade Rubber 7 Ft. | 1 | 7 | 951-001-007 | Hex Nut 1/2-13 | 20 |
| 3 | 27000046 | Bolting Strip Scraper Blade | 2 | 8 | 27000026 | Scraper Blade Rubber | 2 |
| 4 | 030-16132 | Carriage Bolt 1/2-13 x 1 1/2 Gr. 5 | 4 | 9 | 27000025 | Bolting Strip | 2 |
| 5 | 030-16138 | Carriage Bolt 1/2-13 x 3 1/2 Gr. 5 | 16 | | | | |

SKID STEER LOADER SNOW PUSHER

8 FOOT PULLBACK ASSEMBLY

SECTION 2



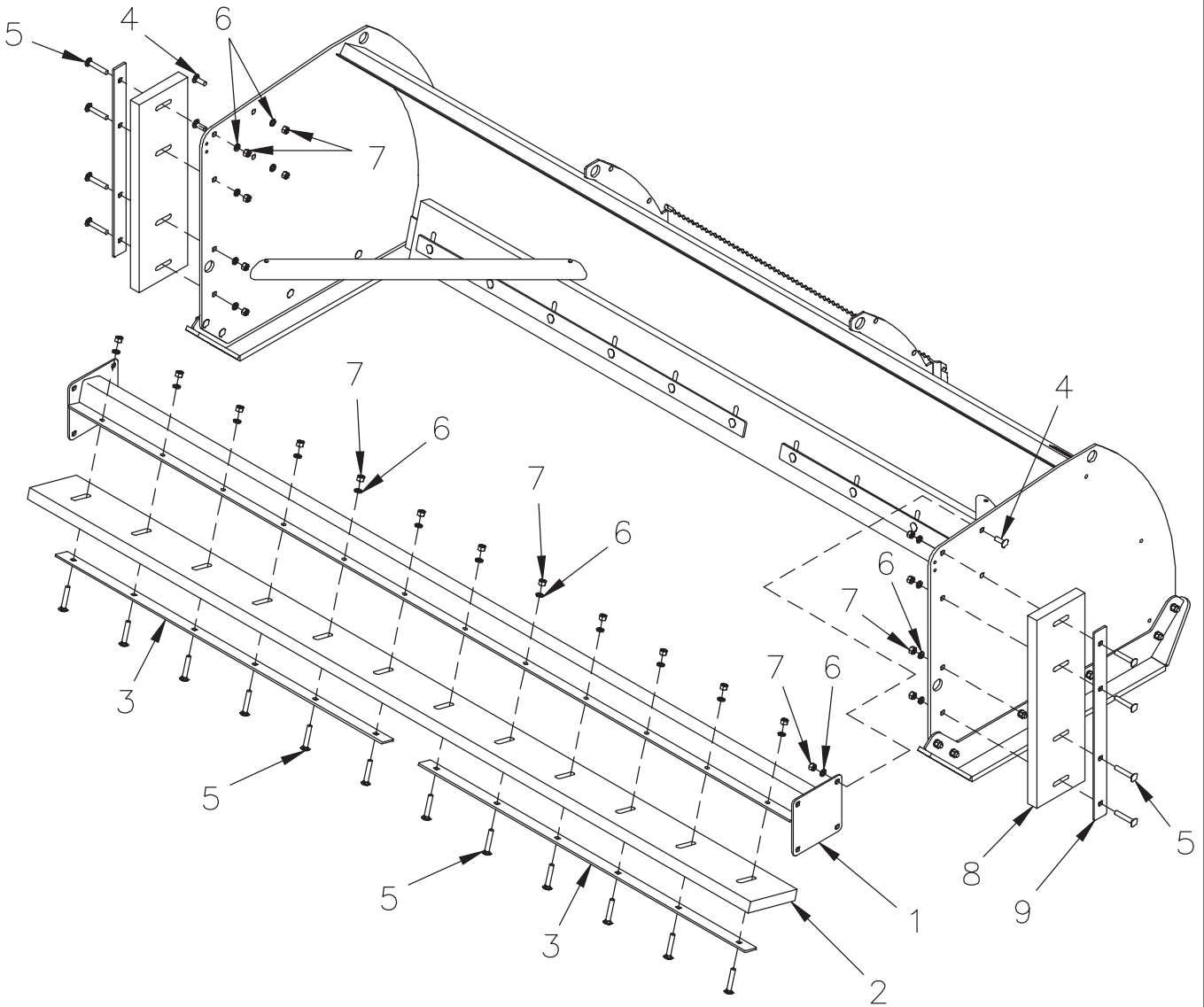
DWG. NO. 7537

| REF. NO. | PART NUMBER | DESCRIPTION | QTY. | REF. NO. | PART NUMBER | DESCRIPTION | QTY. |
|----------|-------------|------------------------------------|------|----------|-------------|----------------------|------|
| 1 | 27000021 | Pullback Scraper Weldment 8 Ft. | 1 | 6 | 952-001-004 | Lock Washer 1/2 Inch | 22 |
| 2 | 27000030 | Scraper Blade Rubber 8 Ft. | 1 | 7 | 951-001-007 | Hex Nut 1/2-13 | 22 |
| 3 | 27000029 | Bolting Strip Scraper Blade | 2 | 8 | 27000026 | Scraper Blade Rubber | 2 |
| 4 | 030-16132 | Carriage Bolt 1/2-13 x 1 1/2 Gr. 5 | 4 | 9 | 27000025 | Bolting Strip | 2 |
| 5 | 030-16138 | Carriage Bolt 1/2-13 x 3 1/2 Gr. 5 | 18 | | | | |

SKID STEER LOADER SNOW PUSHER

10 FOOT PULLBACK ASSEMBLY

SECTION 2



DWG. NO. 7538

| REF. NO. | PART NUMBER | DESCRIPTION | QTY. | REF. NO. | PART NUMBER | DESCRIPTION | QTY. |
|----------|-------------|------------------------------------|------|----------|-------------|----------------------|------|
| 1 | 27000024 | Pullback Scraper Weldment 10 Ft. | 1 | 6 | 952-001-004 | Lock Washer 1/2 Inch | 24 |
| 2 | 27000033 | Scraper Blade Rubber 10 Ft. | 1 | 7 | 951-001-007 | Hex Nut 1/2-13 | 24 |
| 3 | 27000034 | Bolting Strip Scraper Blade | 2 | 8 | 27000026 | Scraper Blade Rubber | 2 |
| 4 | 030-16132 | Carriage Bolt 1/2-13 x 1 1/2 Gr. 5 | 4 | 9 | 27000025 | Bolting Strip | 2 |
| 5 | 030-16138 | Carriage Bolt 1/2-13 x 3 1/2 Gr. 5 | 20 | | | | |

