

# SECTION 7

# 10 FT POLY TRIP EDGE

# SNOW PLOW

**MODEL: 2103**

**PAGE 2 MOLDBOARD ASSEMBLY**

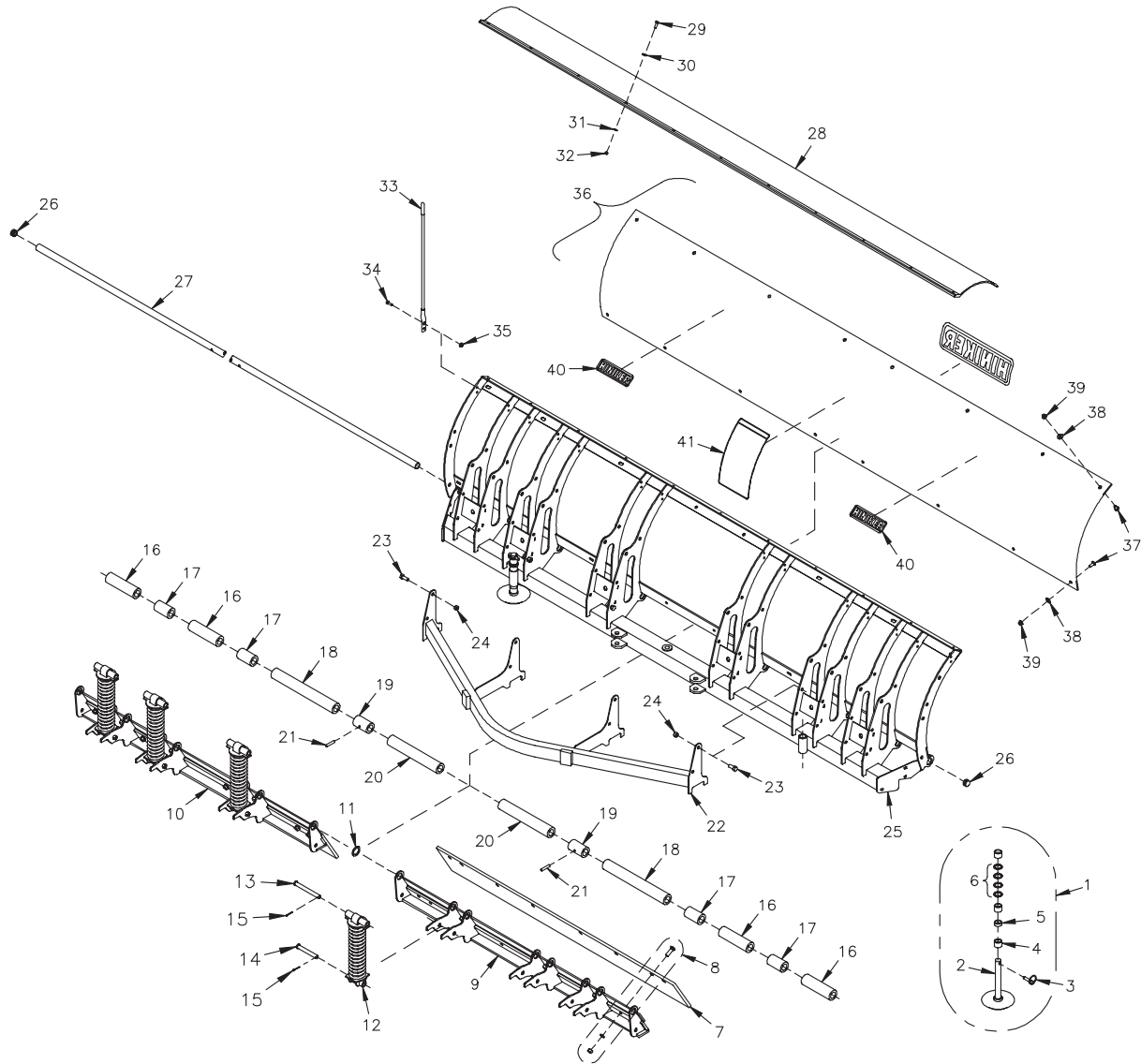
**PAGE 3 FRAME ASSEMBLY**

**PAGE 4 1 1/2 X 10 HYDRAULIC CYLINDER  
CROSSOVER RELIEF VALVE**

**PAGE 5 CURB GUARD KIT**

# 10 FT TRIP EDGE STRAIGHT PLOW 2103

## MOLDBOARD ASSEMBLY



25012952 Moldboard Assembly

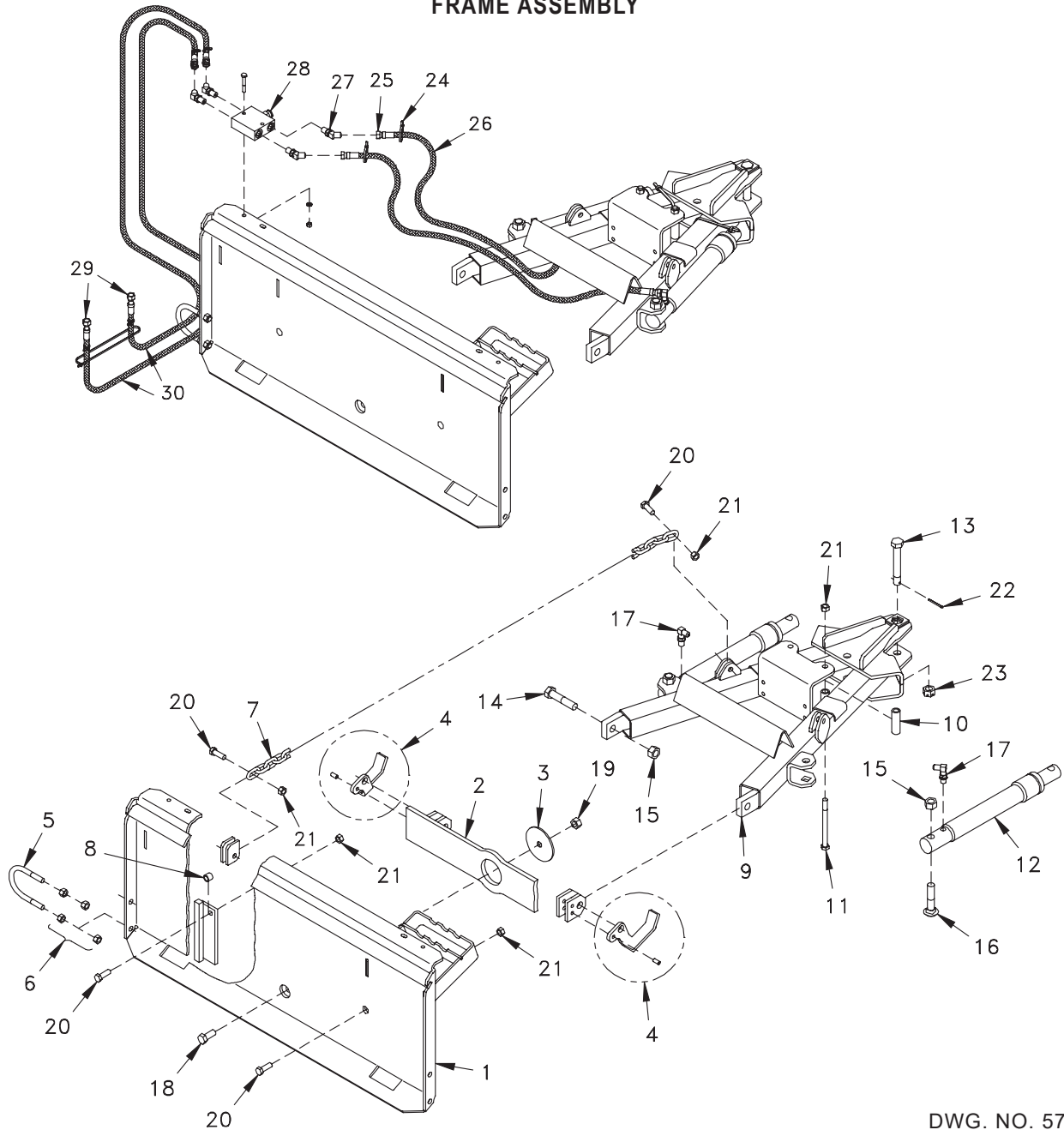
DWG. NO. 6133

SECTION 7

REF. NO.	PART NUMBER	DESCRIPTION	QTY.	REF. NO.	PART NUMBER	DESCRIPTION	QTY.
1	25011487	Cast Iron Skid Assembly	2	22	25011613	Quadrant Weldment	1
2	25011478	Cast Iron Skid Shoe	2	23	950-001-231	Hex Head Cap Screw 1/2-13 x 1 Gr. 5	8
3	25010319	Klik Pin	2	24	10304	Lock Nut 1/2-13, 2-Way	8
4	25010049	1" Skid Spacer	6	25	25012471	Moldboard Frame Weldment	1
5	25010048	1/2" Skid Spacer	2	26	25012375	End Cap	2
6	952-004-071	Machinery Bushing	8	27	25012469	Trip Pin, 10' Plow	1
7	25012468	60" Cutting Edge For 10' Plow	2	28	25012478	10' Snow Deflector Extrusion	1
8	25012485	Cutting Edge Bolt Kit	1	29	950-001-200	Hex Head Cap Screw 5/16-18 x 1 1/4 Gr. 5	11
9	25012463	RH Trip Edge Weldment	1	30	952-002-002	Flat Washer 5/16 Inch	11
10	25012464	LH Trip Edge Weldment	1	31	952-001-002	Lock Washer 5/16 Inch	11
11	952-004-058	Machinery Bushing	1	32	951-001-004	Hex Nut 5/16-18	11
12	25011373	Spring Assembly	6	33	25010118	Blade Guide	2
13	953-002-045	Clevis Pin 5/8 x 6	6	34	950-001-110	Hex Head Cap Screw 5/16-18 x 1 Gr. 5	4
14	953-002-044	Clevis Pin 5/8 x 4 3/8	6	35	951-005-036	Lock Nut 5/16-18 Mac Lock	4
15	035-42033	Cotter Pin 5/32 x 1 1/4	12	36	25012484	Moldboard Blank/Logo Decal Assembly	1
16	25011340	Bushing, 7" Long	4	37	700-11704	Machine Screw 3/8-16 x 1 Slotted Truss Head	16
17	25011338	Bushing, 3 3/8" Long	4	38	952-002-013	Flat Washer 3/8 Inch, Stainless Steel	16
18	25011643	Bushing, 15 7/16" Long	2	39	951-005-003	Lock Nut 3/8-16 Mac Lock	16
19	25011341	Bushing, 3 3/8" Long, Steel	2	40	25011684	Decal - Hiniker	2
20	25011644	Bushing, 12 13/32" Long	2	41	25013502	Decal - Removal	1
21	30009024	Slotted Spring Pin 3/8 x 2	2				

10 FT TRIP EDGE STRAIGHT PLOW 2103

FRAME ASSEMBLY



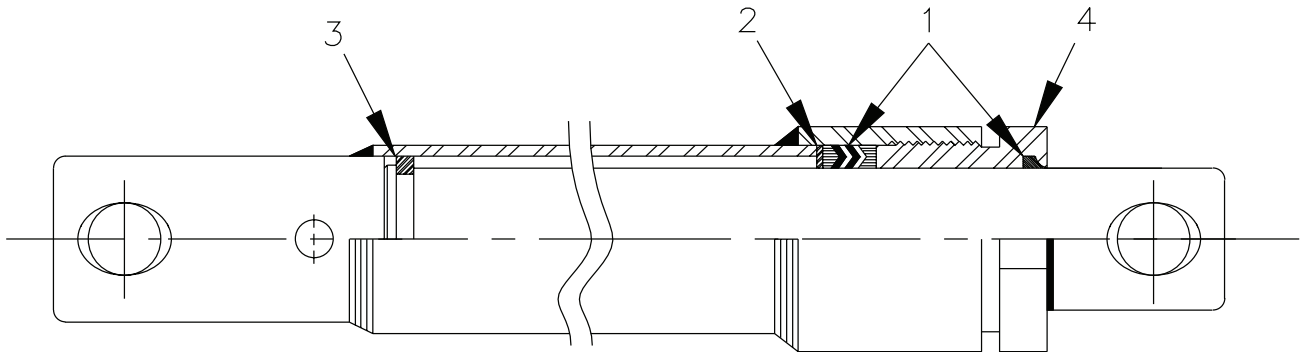
DWG. NO. 5772D

SEC 7

REF. NO.	PART NUMBER	DESCRIPTION	QTY.	REF. NO.	PART NUMBER	DESCRIPTION	QTY.
1	25012719	Mount Plate Weldment	1	16	030-16198	Carriage Bolt 3/4-10 x 3 1/2 Gr. 5	2
2	25011255	Bar Weldment	1	17	956-005-032	90° Restricted Adapter Fitting 9/16 ORB x 9/16 JIC	2
3	25011254	Washer	1	18	950-001-087	Hex Head Cap Screw 5/8-11 x 1 1/2 Gr. 5	1
4	25013590	Park Stand Feet Kit	1	19	951-005-044	Lock Nut 5/8-11, 2-Way	1
5	25013162	U-Bolt 1/2-13	1	20	950-001-125	Hex Head Cap Screw 1/2-13 x 1 1/2 Gr. 5	6
6	951-001-007	Hex Nut 1/2-13	4	21	10304	Lock Nut 1/2-13, 2-Way	8
7	25011251	Chain	2	22	953-001-008	Cotter Pin 3/16 x 1 3/4	1
8	25011250	Spacer	2	23	034-00136	Slotted Hex Nut 3/4-10	1
9	25011723	Push Frame Weldment	1	24	367-001-014	Cable Tie, Black 8 Inch	6
10	25011477	Bushing	2	25	957-010-007	Hydraulic Hose Assembly 1/4 x 40	2
11	031-06219	Hex Head Cap Screw 1/2-13 x 6 Gr. 5	2	26	25011130	Nylon Sleeve 40" Long	2
12	25010523	1 1/2" x 10" Cylinder, (See Sec. 7 Page 4)	2	27	956-005-023	45° Adapter 9/16 ORB	4
13	25012614	Drilled Bolt 3/4-10 x 5 Gr. 5	1	28	25012834	Crossover Relief Assembly (See Sec. 7, Page 4)	1
14	950-001-031	Hex Head Cap Screw 3/4-10 x 3 Gr. 5	2	29	957-001-017	Hydraulic Hose Assembly 3/8 x 72"	2
15	951-005-037	Lock Nut 3/4-10, 2-Way	4	30	25011131	Nylon Sleeve 72" Long	2

**10 FT TRIP EDGE STRAIGHT PLOW 2103**

**1 1/2 X 10 HYDRAULIC CYLINDER**

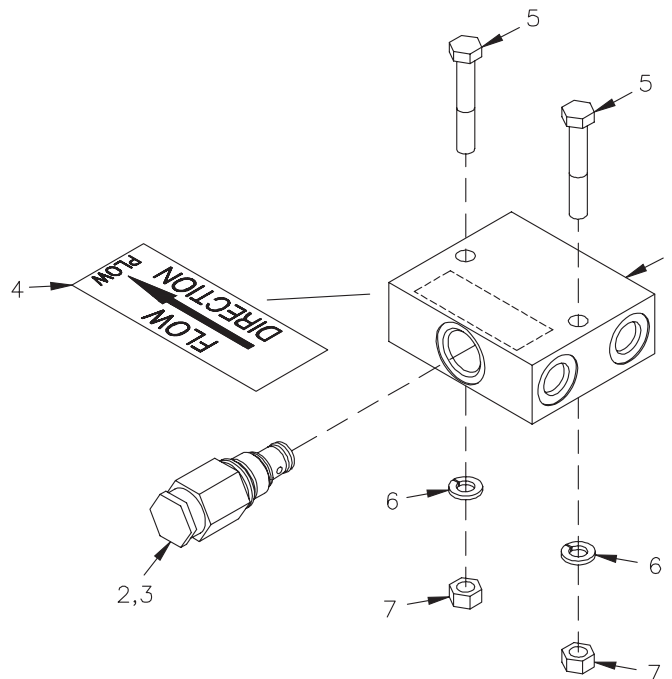


25010523 1 1/2 x 10 Hydraulic Cylinder

DWG. NO. 5185

REF. NO.	PART NUMBER	DESCRIPTION	QTY.	REF. NO.	PART NUMBER	DESCRIPTION	QTY.
1	25010464	Seal Kit	1	3	25010017	Guide Ring	1
2	25010016	Seat Ring	1	4	25010018	Packing Ring	1

**CROSSOVER RELIEF VALVE**

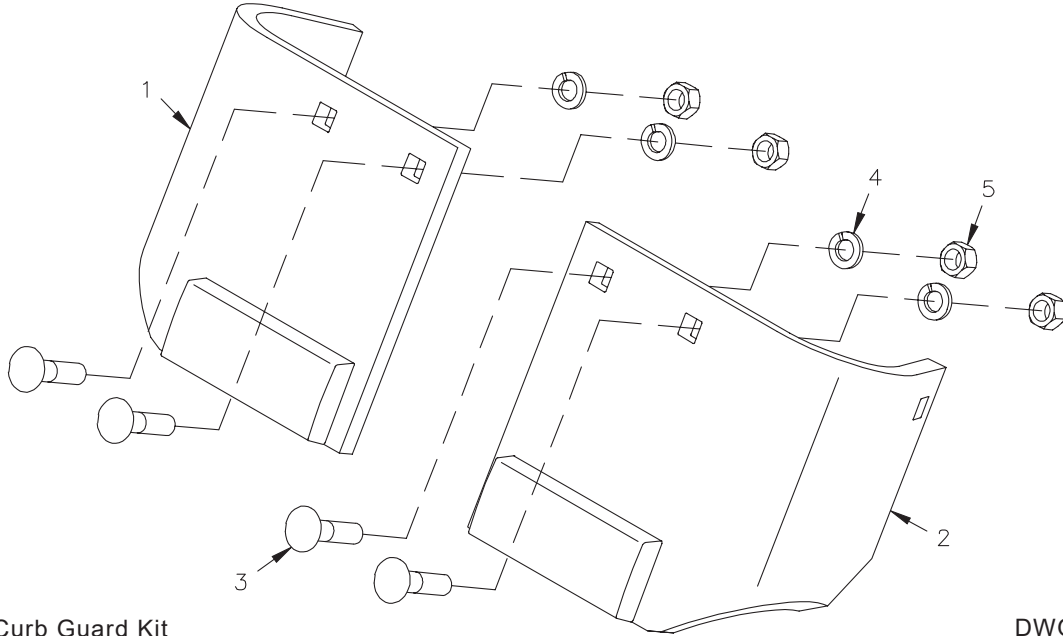


DWG. NO. 7156

REF. NO.	PART NUMBER	DESCRIPTION	QTY.	REF. NO.	PART NUMBER	DESCRIPTION	QTY.
1	25012834	Crossover Relief Valve Manifold Assembly	1	5	031-06059	Hex Head Cap Screw 5/16-18 x 2 Gr. 5	2
2	25010985	Crossover Relief Valve Cartridge	1	6	952-001-002	Lock Washer, 5/16 Inch	2
3	25010992	O-Ring Kit	1	7	951-001-004	Hex Nut 5/16-18	2
4	25012535	Label-Flow Direction	1				

**SEC 7**

CURB GUARD KIT



25012488 Curb Guard Kit

DWG. NO. 6136

REF. NO.	PART NUMBER	DESCRIPTION	QTY.	REF. NO.	PART NUMBER	DESCRIPTION	QTY.
1	25012724	RH Curb Guard	1	4	952-001-004	Lock Washer 1/2 Inch	4
2	25012725	LH Curb Guard	1	5	951-001-007	Hex Nut 1/2-13	4
3	950-003-051	Carriage Bolt 1/2-13 x 2 1/4 Gr. 5	4				

