

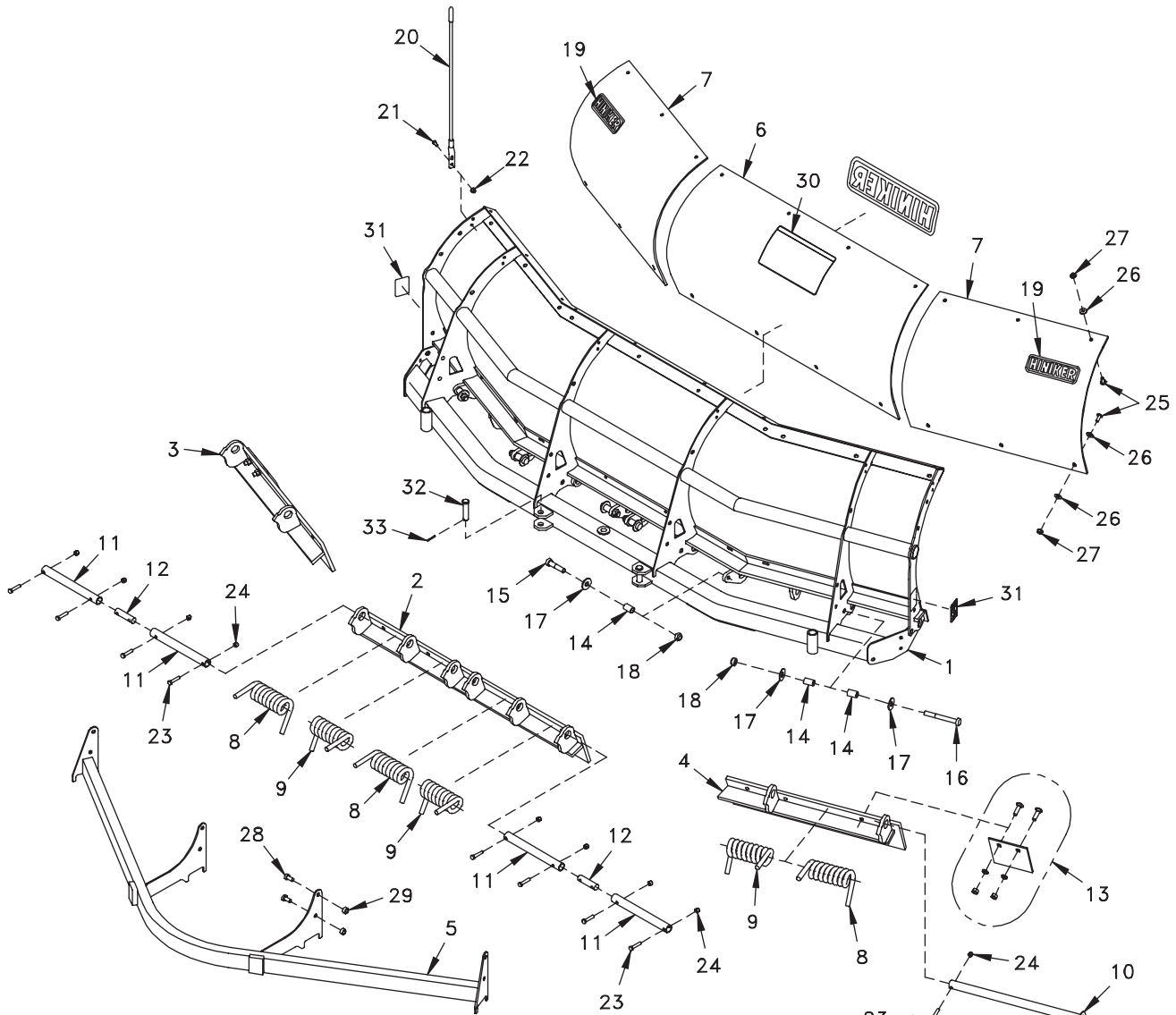
SECTION 5 SCOOP PLOWS

MODELS: 2682,2692

PAGE 2	MOLDBOARD ASSEMBLIES
PAGE 3	STEEL CUTTING EDGE KITS RUBBER CUTTING EDGE KITS
PAGE 4	FRAME ASSEMBLY
PAGE 5	1 1/2 X 10 HYDRAULIC CYLINDER POLY SNOW DEFLECTOR KITS
PAGE 6	WEAR PLATE KIT CURB GUARD KITS
PAGE 7	CROSSOVER RELIEF VALVE SKID SHOE ASSEMBLY

SKID STEER SCOOP SNOWPLOW

MOLDBOARD ASSEMBLIES



25013596 8' Moldboard Assembly
25013597 9' Moldboard Assembly

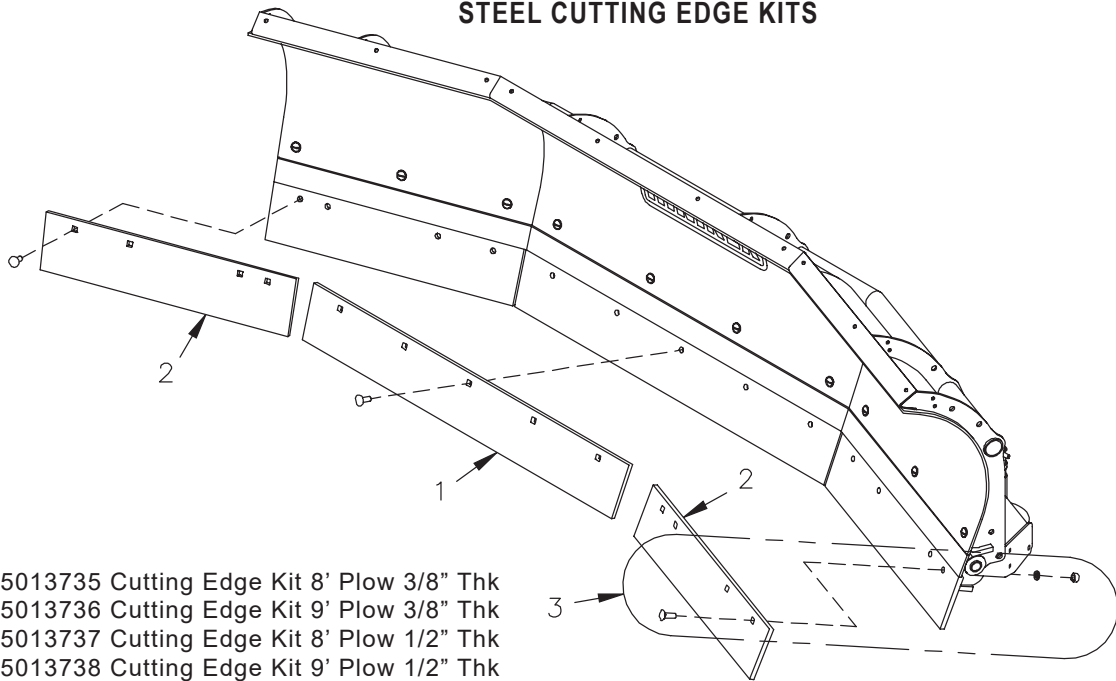
DWG. NO. 7346A

REF. NO.	PART NUMBER	DESCRIPTION	QTY.	REF. NO.	PART NUMBER	DESCRIPTION	QTY.
1	25013604	Scoop Frame Weldment-8' Plow (Shown)	1	16	950-001-131	Hex Head Cap Screw 5/8-11 x 4 1/2 Gr. 5	2
	25013625	Scoop Frame Weldment-9' Plow	1	17	952-002-007	Flat Washer 5/8 Inch	8
2	25013630	Middle Trip Edge Weldment-8' Plow	1	18	951-005-082	Lock Nut 5/8-11 Uni Torque	6
	25013642	Middle Trip Edge Weldment-9' Plow	1	19	25011684	Hiniker Decal	2
3	25013631	LH Outer Trip Edge Weldment	1	20	25010118	Blade Guide Red	2
4	25013632	RH Outer Trip Edge Weldment	1	21	950-001-110	Hex Head Cap Screw 5/16-18 x 1 Gr. 5	4
5	25013633	Quadrant Weldment - 8' Plow (Shown)	1	22	951-005-036	Lock Nut 5/16-18 Mac Lock	4
	25013643	Quadrant Weldment - 9' Plow	1	23	950-001-092	Head Cap Screw 3/8-16 x 1 3/4 Gr. 5	10
6	25013603	Poly Moldboard Blank/Logo Decal Assembly-8' Plow	1	24	951-003-002	Lock Nut 3/8-16 Nylon Insert	10
	25013602	Poly Moldboard Blank/Logo Decal Assembly-9' Plow	1	25	700-11704	Machine Screw 3/8-16 x 1 Slotted Truss Head	20
7	25013635	Poly Moldboard Blank-End	2	26	952-002-013	Flat Washer 3/8 Inch, Stainless Steel	26
8	25013404	Helical Torsion Spring LH Wound	4	27	951-005-003	Lock Nut 3/8-16 Mac Lock	20
9	25013403	Helical Torsion Spring RH Wound	4	28	950-001-231	Head Cap Screw 1/2-13 x 1 Gr. 5	A/R
10	25013636	Outer Trip Pin Weldment	2	29	10304	Lock Nut 1/2-13 2-Way	A/R
11	25013637	Trip Pin Scoop Mid Section	4	30	25013641	Decal-Removal	1
12	25013638	Trip Pin Plug	2	31	25013529	Decal-Warning	2
13	25012587	Wear Bar Kit (See Sec.5, P. 6)	1	32	953-002-032	Clevis Pin 3/4 x 3	2
14	25013406	Bushing	8	33	035-42033	Cotter Pin 5/32 x 1 1/4	2
15	031-06308	Hex Head Cap Screw 5/8-11 x 2 3/4 Gr. 5	4				

SEC 5

SKID STEER SCOOP SNOWPLOW

STEEL CUTTING EDGE KITS



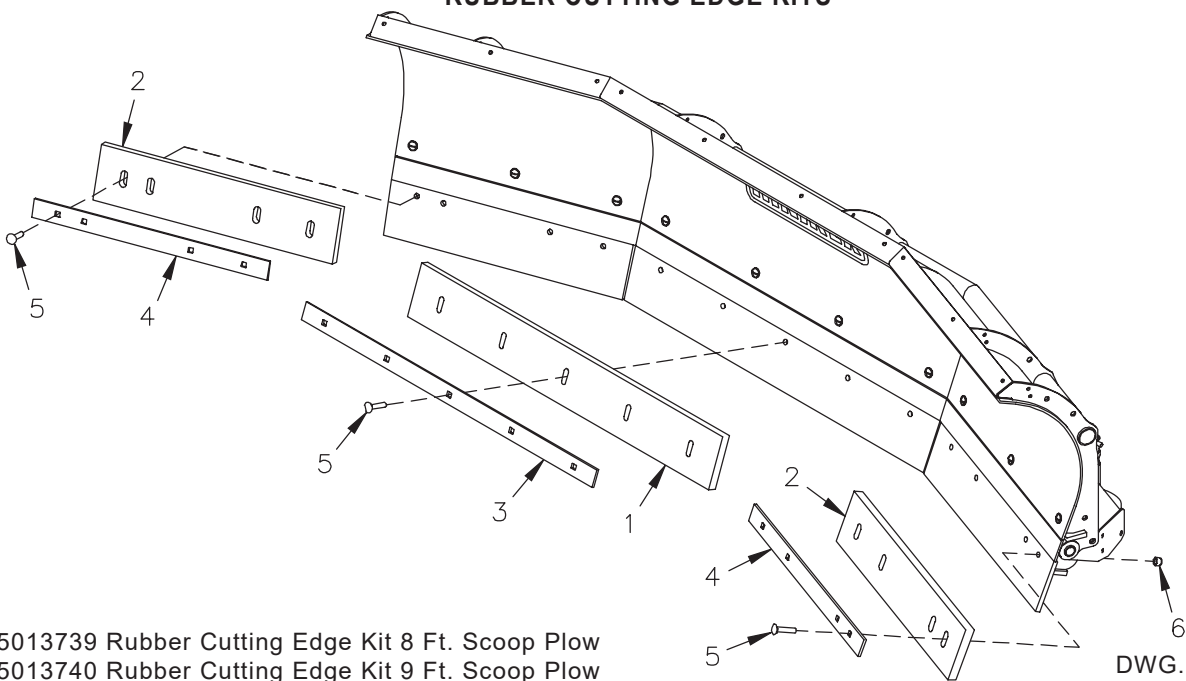
25013735 Cutting Edge Kit 8' Plow 3/8" Thk
 25013736 Cutting Edge Kit 9' Plow 3/8" Thk
 25013737 Cutting Edge Kit 8' Plow 1/2" Thk
 25013738 Cutting Edge Kit 9' Plow 1/2" Thk

DWG. NO. 7349

REF. NO.	PART NUMBER	DESCRIPTION	QTY.	REF. NO.	PART NUMBER	DESCRIPTION	QTY.
1	25013743	Middle Cutting Edge 8' Plow 3/8" Thk	1	2	25013741	End Cutting Edge 3/8" Thk	2
	25013744	Middle Cutting Edge 9' Plow 3/8" Thk	1		25013742	End Cutting Edge 1/2" Thk	2
	25013745	Middle Cutting Edge 8' Plow 1/2" Thk	1	3	25012485	Cutting Edge Bolt Kit	1
	25013746	Middle Cutting Edge 9' Plow 1/2" Thk	1				

SECTION 5

RUBBER CUTTING EDGE KITS



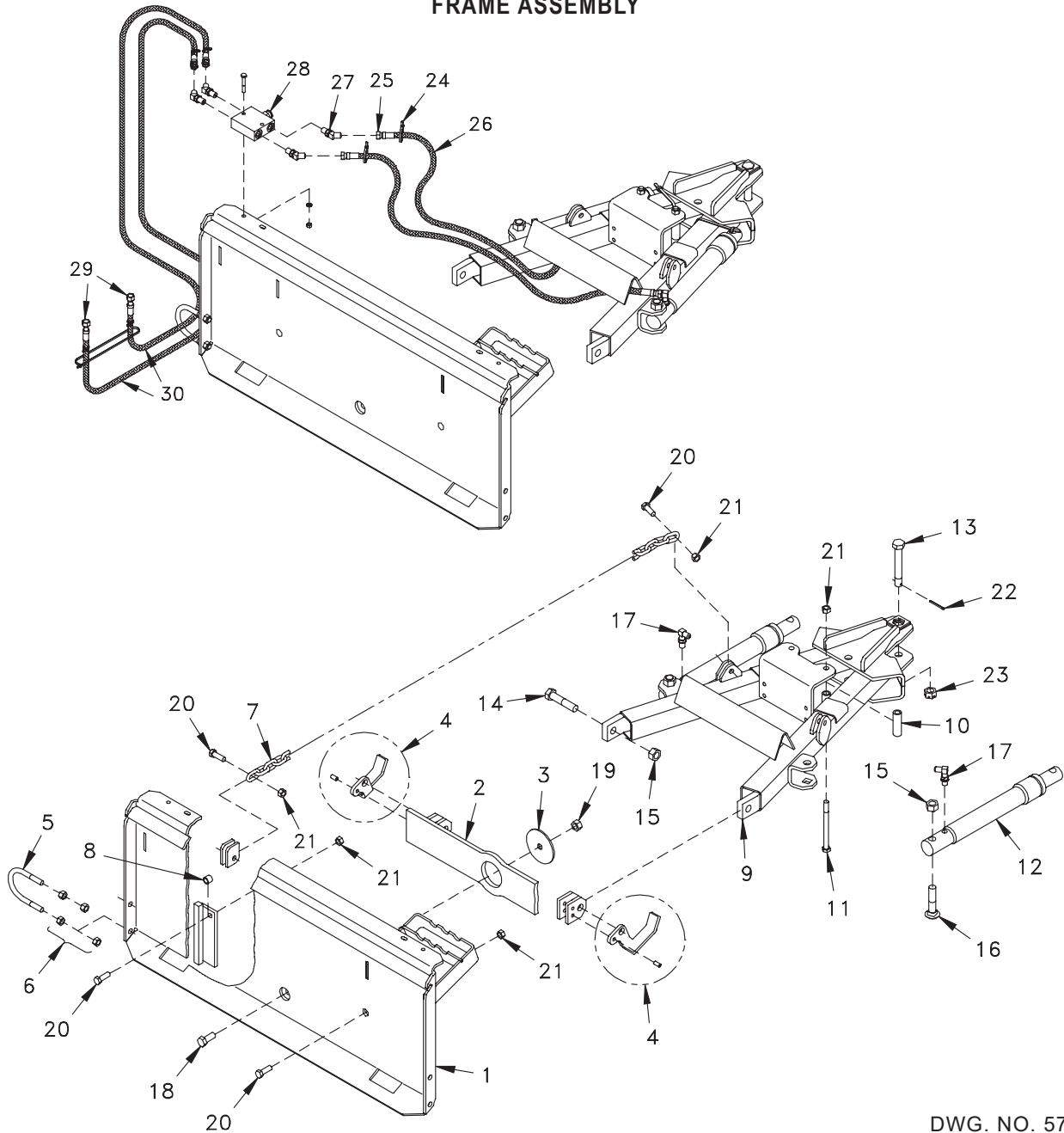
25013739 Rubber Cutting Edge Kit 8 Ft. Scoop Plow
 25013740 Rubber Cutting Edge Kit 9 Ft. Scoop Plow

DWG. NO. 7350

REF. NO.	PART NUMBER	DESCRIPTION	QTY.	REF. NO.	PART NUMBER	DESCRIPTION	QTY.
1	25013747	Rubber Cutting Edge 8 Ft. Middle, 43 1/2" Lg	1	4	25011781	Strap Scoop End	2
	25013748	Rubber Cutting Edge 9 Ft. Middle, 55 1/2" Lg	1	5	030-16136	Carriage Bolt 1/2-13 x 2 1/2 Gr. 5	A/R
2	25011778	Rubber Cutting Edge Scoop End	2	6	951-003-009	Hex Nut 1/2 Nylon Insert #5	A/R
3	25011780	Strap 8 Ft. Scoop Middle	1				
	25011785	Strap 9 Ft. Scoop Middle	1				

SKID STEER SCOOP SNOWPLOW

FRAME ASSEMBLY

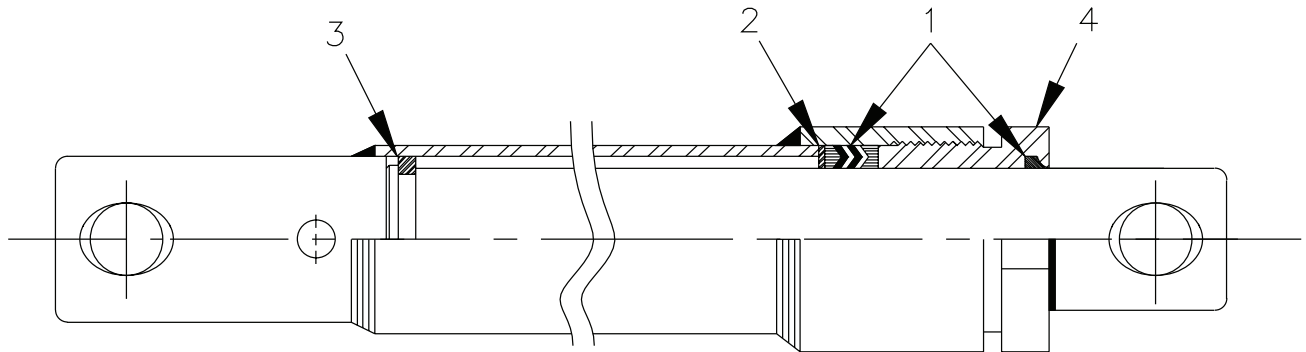


DWG. NO. 5772D

REF. NO.	PART NUMBER	DESCRIPTION	QTY.	REF. NO.	PART NUMBER	DESCRIPTION	QTY.
1	25012719	Mount Plate Weldment	1	16	030-16198	Carriage Bolt 3/4-10 x 3 1/2 Gr. 5	2
2	25011255	Bar Weldment	1	17	956-005-032	90° Restricted Adapter Fitting 9/16 ORB x 9/16 JIC	2
3	25011254	Washer	1	18	950-001-087	Hex Head Cap Screw 5/8-11 x 1 1/2 Gr. 5	1
4	25013590	Park Stand Feet Kit	1	19	951-005-044	Lock Nut 5/8-11, 2-Way	1
5	25013162	U-Bolt 1/2-13	1	20	950-001-125	Hex Head Cap Screw 1/2-13 x 1 1/2 Gr. 5	6
6	951-001-007	Hex Nut 1/2-13	4	21	10304	Lock Nut 1/2-13, 2-Way	8
7	25011251	Chain	2	22	953-001-008	Cotter Pin 3/16 x 1 3/4	1
8	25011250	Spacer	2	23	034-00136	Slotted Hex Nut 3/4-10	1
9	25011723	Push Frame Weldment	1	24	367-001-014	Cable Tie, Black 8 Inch	6
10	25011477	Bushing	2	25	957-010-007	Hydraulic Hose Assembly 1/4 x 40	2
11	031-06219	Hex Head Cap Screw 1/2-13 x 6 Gr. 5	2	26	25011130	Nylon Sleeve 40" Long	2
12	25010523	1 1/2" x 10" Cylinder, (See Sec. 5 Page 5)	2	27	956-005-023	45° Adapter 9/16 ORB	4
13	25012614	Drilled Bolt 3/4-10 x 5 Gr. 5	1	28	25012834	Crossover Relief Assembly (See Sec. 5, Page 7)	1
14	950-001-031	Hex Head Cap Screw 3/4-10 x 3 Gr. 5	2	29	957-001-017	Hydraulic Hose Assembly 3/8 x 72"	2
15	951-005-037	Lock Nut 3/4-10, 2-Way	4	30	25011131	Nylon Sleeve 72" Long	2

SKID STEER SCOOP SNOWPLOW

1 1/2 X 10 HYDRAULIC CYLINDER



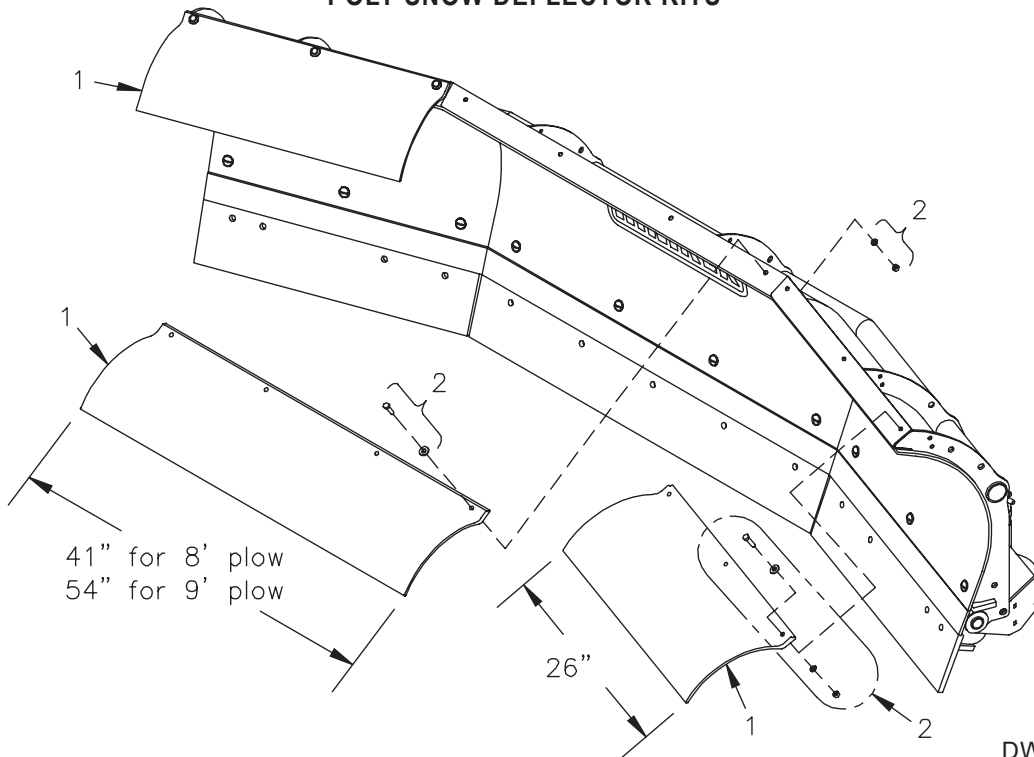
25010523 1 1/2 x 10 Hydraulic Cylinder

DWG. NO. 5185

REF. NO.	PART NUMBER	DESCRIPTION	QTY.	REF. NO.	PART NUMBER	DESCRIPTION	QTY.
1	25010464	Seal Kit	1	3	25010017	Guide Ring	1
2	25010016	Seat Ring	1	4	25010018	Packing Ring	1

SECTION 5

POLY SNOW DEFLECTOR KITS

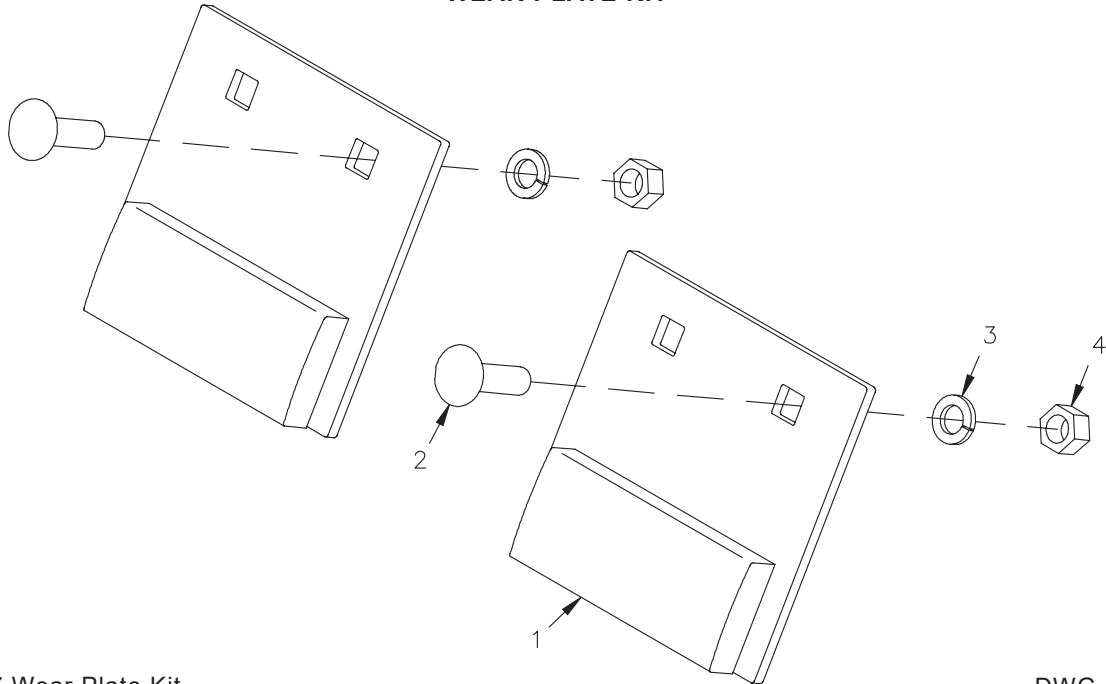


DWG. NO. 7348

REF. NO.	PART NUMBER	DESCRIPTION	QTY.	REF. NO.	PART NUMBER	DESCRIPTION	QTY.
1	25011789	Poly Snow Deflector Kit 8' Plow	1	2	25011793	Bolt Box, Snow Deflector (Included With Kit)	1
	25011983	Poly Snow Deflector Kit 9' Plow	1				

SKID STEER SCOOP SNOWPLOW

WEAR PLATE KIT



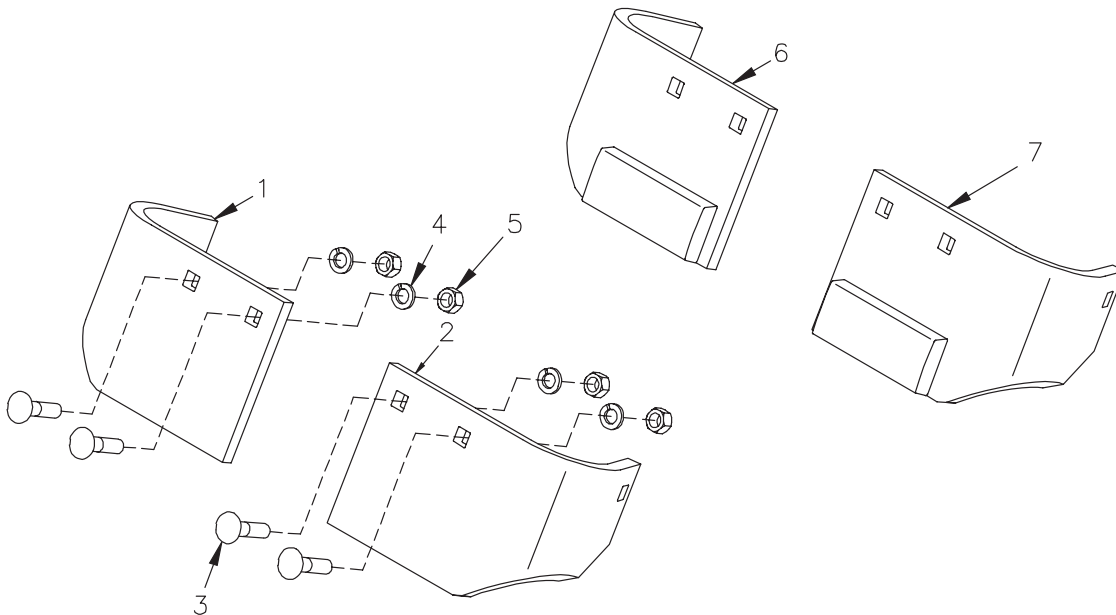
25012587 Wear Plate Kit

DWG. NO. 6331

SEC 5

REF. NO.	PART NUMBER	DESCRIPTION	QTY.	REF. NO.	PART NUMBER	DESCRIPTION	QTY.
1	25012588	Wear Plate Weldment	2	3	952-001-004	Lock Washer 1/2 Inch	4
2	950-003-058	Carriage Bolt 1/2-13 x 1 3/4 Gr. 5	4	4	951-001-007	Hex Nut 1/2-13	4

CURB GUARD KITS



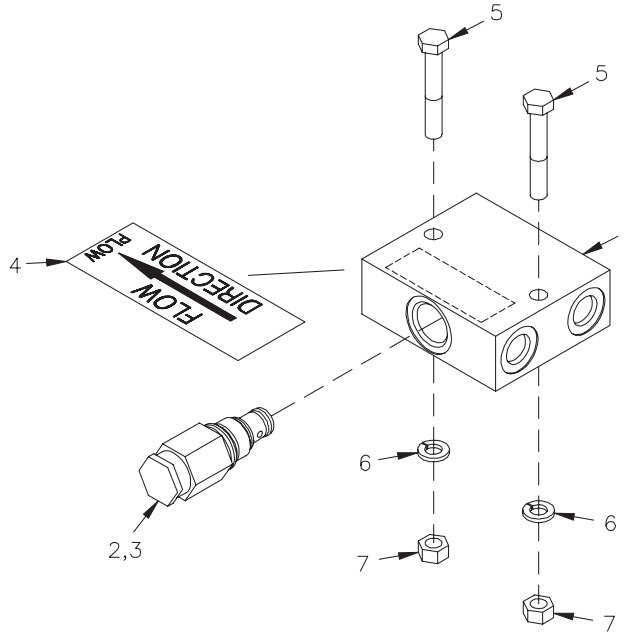
25011695 Curb Guard Kit - Standard
25012726 Curb Guard Kit With Wear Bars

DWG. NO. 5486

REF. NO.	PART NUMBER	DESCRIPTION	QTY.	REF. NO.	PART NUMBER	DESCRIPTION	QTY.
1	25011712	RH Curb Guard - Standard	1	5	951-001-007	Hex Nut 1/2-13	4
2	25011713	LH Curb Guard - Standard	1	6	25012722	RH Curb Guard With Wear Bar	1
3	950-003-051	Carriage Bolt 1/2-13 x 2 1/4 Gr. 5	4	7	25012723	LH Curb Guard With Wear Bar	1
4	952-001-004	Lock Washer 1/2 Inch	4				

SKID STEER SCOOP SNOWPLOW

CROSSOVER RELIEF VALVE

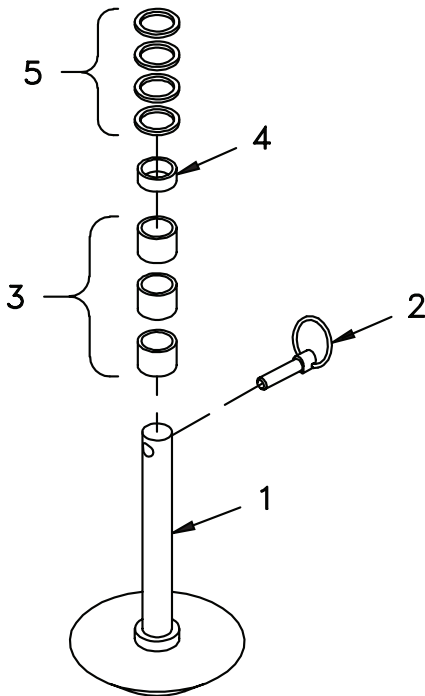


DWG. NO. 7156

REF. NO.	PART NUMBER	DESCRIPTION	QTY.	REF. NO.	PART NUMBER	DESCRIPTION	QTY.
1	25012834	Crossover Relief Valve Manifold Assembly	1	5	031-06059	Hex Head Cap Screw 5/16-18 x 2 Gr. 5	2
2	25010985	Crossover Relief Valve Cartridge	1	6	952-001-002	Lock Washer, 5/16 Inch	2
3	25010992	O-Ring Kit	1	7	951-001-004	Hex Nut 5/16-18	2
4	25012535	Label-Flow Direction	1				

SECTION 5

SKID SHOE ASSEMBLY



25011487 Skid Assembly

DWG. NO. 5780

REF. NO.	PART NUMBER	DESCRIPTION	QTY.	REF. NO.	PART NUMBER	DESCRIPTION	QTY.
1	25011478	Cast Iron Skid Shoe	1	4	25010048	1/2" Skid Spacer	1
2	25010319	Klik Pin	1	5	952-004-071	Machinery Bushing	4
3	25010049	1" Skid Spacer	3				

