

SECTION 3

V-PLOWS

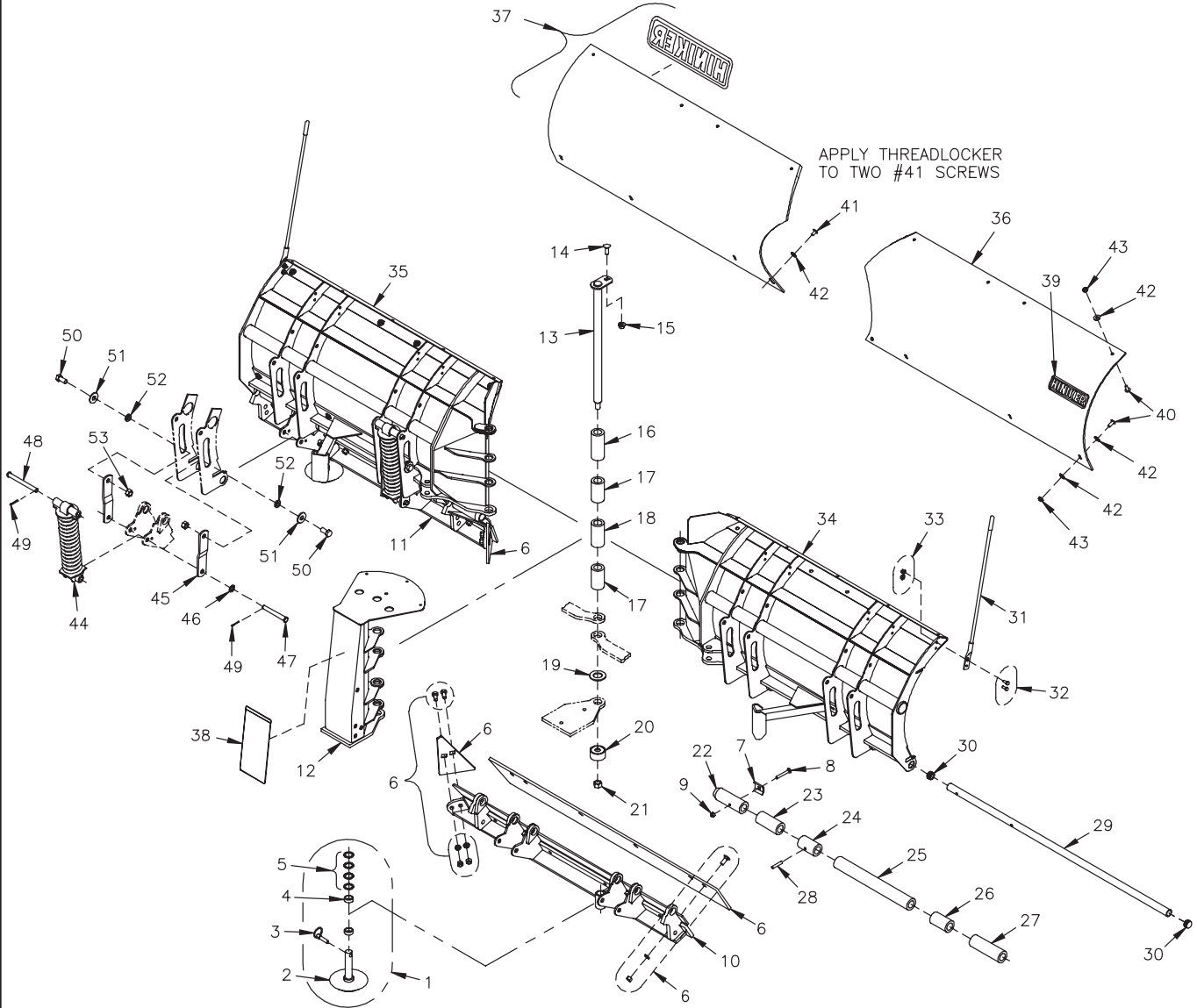
MODELS: 29851, 29951, 29860, 29960

| | |
|-----------|--|
| PAGE 2, 3 | MOLDBOARD ASSEMBLIES - MODELS 29851 / 29951 |
| PAGE 4, 5 | MOLDBOARD ASSEMBLIES - MODELS 29860 / 29960 |
| PAGE 6 | FRAME ASSEMBLY |
| PAGE 7 | HYDRAULIC OVERVIEW 2 1/4 X 10 HYDRAULIC CYLINDER |
| PAGE 8 | VALVE MANIFOLD ELECTRICAL WIRING |
| PAGE 9 | POLY SNOW DEFLECTOR KIT RUBBER SNOW DEFLECTOR KIT |
| PAGE 10 | WEAR PLATE KIT CURB GUARD KITS |
| PAGE 11 | CUTTING EDGE KITS BOX END WINGS |

SKID STEER V-PLOW SNOWPLOW

MOLDBOARD ASSEMBLIES MODELS: 29851 / 29951

3



25013007 8 1/2' Moldboard Assembly
25013009 9 1/2' Moldboard Assembly

DWG. NO. 6739

SKID STEER V-PLOW SNOWPLOW

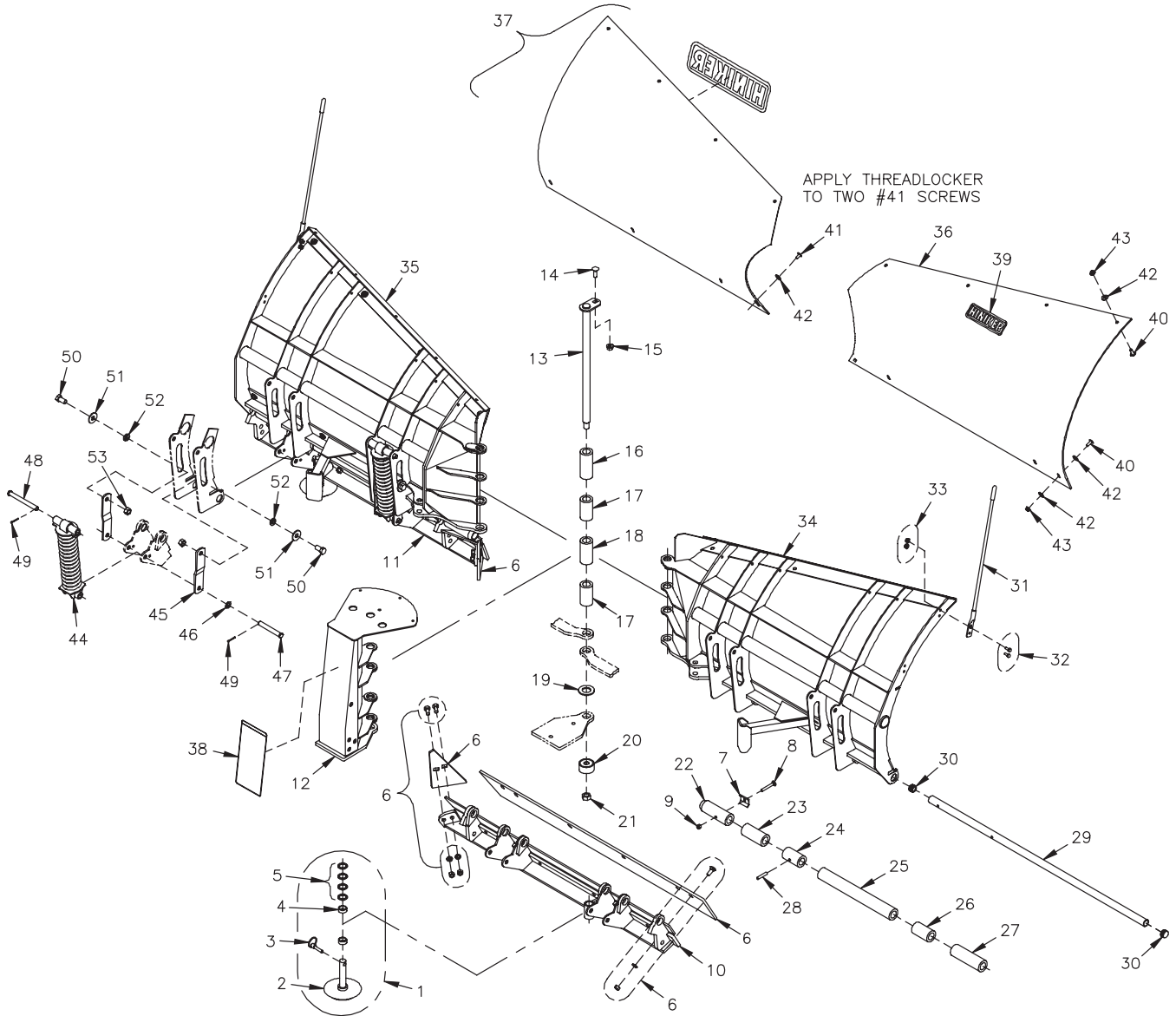
| REF. NO. | PART NUMBER | DESCRIPTION | QTY. | REF. NO. | PART NUMBER | DESCRIPTION | QTY. |
|----------|-------------|--|------|----------|-------------|---|------|
| 1 | 25012297 | Skid Assembly | 2 | 27 | 25013021 | Bushing 6 1/4" Long | 2 |
| 2 | 25012316 | Cast Skid Shoe | 2 | 28 | 30009024 | Slotted Spring Pin 3/8 x 2 | 2 |
| 3 | 25010319 | Lynch Pin | 2 | 29 | 25013242 | Trip Pin 8 1/2' Plow | 2 |
| 4 | 25010048 | 1/2" Spacer | 4 | | 25013241 | Trip Pin 9 1/2' Plow | 2 |
| 5 | 952-004-071 | Machinery Bushing | 8 | 30 | 25012375 | End Cap | 4 |
| 6 | 25013298 | Cutting Edge Kit 8 1/2' Plow 1/2" Thk (See Sec.3 P.11) | 1 | 31 | 25010118 | Blade Guide | 2 |
| | 25013299 | Cutting Edge Kit 9 1/2' Plow 1/2" Thk (See Sec.3 P.11) | 1 | 32 | 950-001-110 | Hex Head Cap Screw 5/16-18 x 1 Gr. 5 | 4 |
| 7 | 25013240 | Stop Plate | 2 | 33 | 951-005-036 | Lock Nut 5/16-18 Mac Lock | 4 |
| 8 | 030-16075 | Carriage Bolt 3/8-16 X 2 3/4 Gr. 5 | 2 | 34 | 25013016 | RH Wing Frame Weldment, 8 1/2' Plow | 1 |
| 9 | 951-003-002 | Lock Nut 3/8-16 Nylon Insert | 2 | | 25013044 | RH Wing Frame Weldment, 9 1/2' Plow | 1 |
| 10 | 25013018 | RH Trip Edge Weldment, 8 1/2' Plow | 1 | 35 | 25013017 | LH Wing Frame Weldment, 8 1/2' Plow | 1 |
| | 25013049 | RH Trip Edge Weldment, 9 1/2' Plow | 1 | | 25013045 | LH Wing Frame Weldment, 9 1/2' Plow | 1 |
| 11 | 25013019 | LH Trip Edge Weldment, 8 1/2' Plow | 1 | 36 | 25012380 | Poly Moldboard Blank 8 1/2' Plow | 1 |
| | 25013050 | LH Trip Edge Weldment, 9 1/2' Plow | 1 | | 25012322 | Poly Moldboard Blank 9 1/2' Plow | 1 |
| 12 | 25012307 | Center Mast Weldment | 1 | 37 | 25012295 | Poly Blank/Logo Decal Assembly 8 1/2' Plow | 1 |
| 13 | 25012304 | Hinge Pin Weldment | 1 | | 25012298 | Poly Blank/Logo Decal Assembly 9 1/2' Plow | 1 |
| 14 | 030-16130 | Carriage Bolt 1/2-13 x 1 Gr. 5 | 1 | 38 | 25013502 | Decal - Removal | 1 |
| 15 | 951-005-055 | Lock Nut 1/2-13 Mac Lock | 1 | 39 | 25011684 | Decal - Hiniker | 1 |
| 16 | 25012301 | Bushing, 4 11/16" Long | 1 | 40 | 700-11704 | Machine Screw 3/8-16 x 1 Slotted Truss Head | 14 |
| 17 | 25011442 | Bushing, 3 17/32" Long | 2 | 41 | 950-004-108 | Machine Screw 3/8-16 x 3/4 Slotted Truss Head | 2 |
| 18 | 25012302 | Bushing 4" Long | 1 | 42 | 952-002-013 | Flat Washer 3/8 Inch, Stainless Steel | 22 |
| 19 | 033-11017 | SAE Flat Washer, 1 1/4 Inch | 1 | 43 | 951-005-003 | Lock Nut 3/8-16 Mac Lock | 14 |
| 20 | 25012303 | Washer Weldment | 1 | 44 | 25011373 | Spring Assembly | 4 |
| 21 | 951-005-037 | Lock Nut 3/4-10, 2-Way | 1 | 45 | 25012306 | Strap | 8 |
| 22 | 25013239 | Bushing 5 7/8" Long | 2 | 46 | 952-004-040 | Machinery Bushing 21/32 x 1 1/8 x .048 | 4 |
| 23 | 25013023 | Bushing 4 3/8" Long | 2 | 47 | 953-002-049 | Clevis Pin 5/8 x 4 3/4 | 4 |
| 24 | 25011341 | Bushing 3 3/8" Long, Steel | 2 | 48 | 953-002-045 | Clevis Pin 5/8 x 6 | 4 |
| 25 | 25013022 | Bushing 15 15/16" Long, 8 1/2' Plow | 2 | 49 | 035-42033 | Cotter Pin 5/32 x 1 1/4 | 8 |
| | 25013042 | Bushing 21 15/16" Long, 9 1/2' Plow | 2 | 50 | 031-06302 | Hex Head Cap Screw 5/8-11 x 1 1/4 Gr. 5 | 8 |
| 26 | 25011338 | Bushing 3 3/8" Long | 2 | 51 | 952-002-007 | Flat Washer 5/8 Inch | 8 |
| | | | | 52 | 25012305 | Bushing | 8 |
| | | | | 53 | 951-005-044 | Lock Nut 5/8-11, 2-Way | 8 |

3

SKID STEER V-PLOW SNOWPLOW

MOLDBOARD ASSEMBLIES MODELS: 29860 / 29960

3



25013060 8 1/2' Moldboard Assembly
25013059 9 1/2' Moldboard Assembly

DWG. NO. 6740

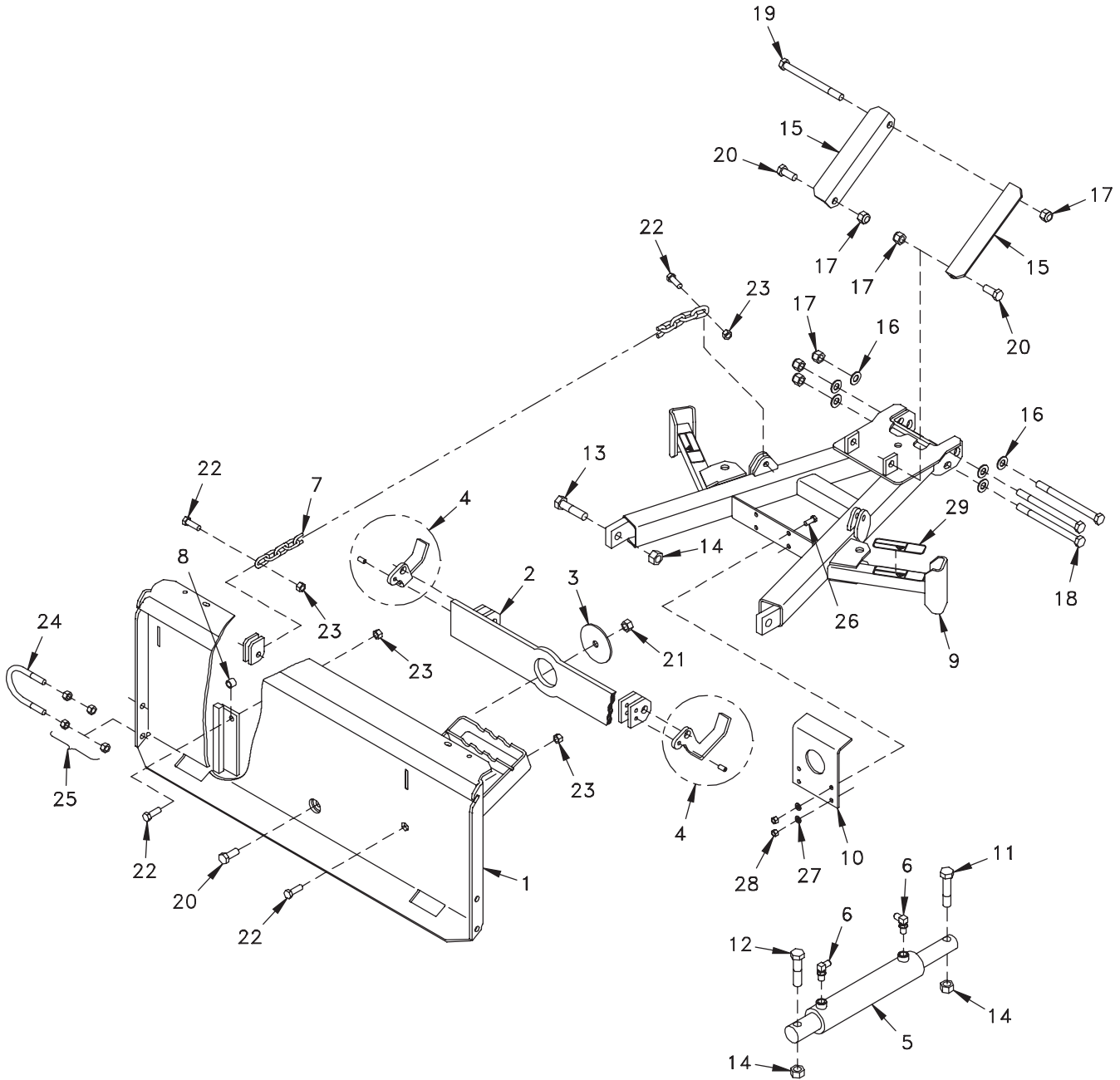
SKID STEER V-PLOW SNOWPLOW

| REF. NO. | PART NUMBER | DESCRIPTION | QTY. | REF. NO. | PART NUMBER | DESCRIPTION | QTY. |
|----------|-------------|--|------|----------|-------------|---|------|
| 1 | 25012297 | Skid Assembly | 2 | 27 | 25013021 | Bushing 6 1/4" Long | 2 |
| 2 | 25012316 | Cast Skid Shoe | 2 | 28 | 30009024 | Slotted Spring Pin 3/8 x 2 | 2 |
| 3 | 25010319 | Lynch Pin | 2 | 29 | 25013242 | Trip Pin 8 1/2' Plow | 2 |
| 4 | 25010048 | 1/2" Spacer | 4 | | 25013241 | Trip Pin 9 1/2' Plow | 2 |
| 5 | 952-004-071 | Machinery Bushing | 8 | 30 | 25012375 | End Cap | 4 |
| 6 | 25013298 | Cutting Edge Kit 8 1/2' Plow 1/2" Thk (See Sec.3 P.11) | 1 | 31 | 25010118 | Blade Guide | 2 |
| | 25013299 | Cutting Edge Kit 9 1/2' Plow 1/2" Thk (See Sec.3 P.11) | 1 | 32 | 950-001-110 | Hex Head Cap Screw 5/16-18 x 1 Gr. 5 | 4 |
| 7 | 25013240 | Stop Plate | 2 | 33 | 951-005-036 | Lock Nut 5/16-18 Mac Lock | 4 |
| 8 | 030-16075 | Carriage Bolt 3/8-16 x 2 3/4 Gr. 5 | 2 | 34 | 25013063 | RH Wing Frame Weldment, 8 1/2' Plow | 1 |
| 9 | 951-003-002 | Lock Nut 3/8-16 Nylon Insert | 2 | | 25013066 | RH Wing Frame Weldment, 9 1/2' Plow | 1 |
| 10 | 25013018 | RH Trip Edge Weldment, 8 1/2' Plow | 1 | 35 | 25013064 | LH Wing Frame Weldment, 8 1/2' Plow | 1 |
| | 25013049 | RH Trip Edge Weldment, 9 1/2' Plow | 1 | | 25013067 | LH Wing Frame Weldment, 9 1/2' Plow | 1 |
| 11 | 25013019 | LH Trip Edge Weldment, 8 1/2' Plow | 1 | 36 | 25013068 | Poly Moldboard Blank 8 1/2' Plow | 1 |
| | 25013050 | LH Trip Edge Weldment, 9 1/2' Plow | 1 | | 25013070 | Poly Moldboard Blank 9 1/2' Plow | 1 |
| 12 | 25012307 | Center Mast Weldment | 1 | 37 | 25013069 | Poly Blank/Logo Decal Assembly 8 1/2' Plow | 1 |
| 13 | 25012304 | Hinge Pin Weldment | 1 | | 25013071 | Poly Blank/Logo Decal Assembly 9 1/2' Plow | 1 |
| 14 | 030-16130 | Carriage Bolt 1/2-13 x 1 Gr. 5 | 1 | 38 | 25013502 | Decal - Removal | 1 |
| 15 | 951-005-055 | Lock Nut 1/2-13 Mac Lock | 1 | 39 | 25011684 | Decal - Hiniker | 1 |
| 16 | 25012301 | Bushing, 4 11/16" Long | 1 | 40 | 700-11704 | Machine Screw 3/8-16 x 1 Slotted Truss Head | 14 |
| 17 | 25011442 | Bushing, 3 17/32" Long | 2 | 41 | 950-004-108 | Machine Screw 3/8-16 x 3/4 Slotted Truss Head | 2 |
| 18 | 25012302 | Bushing 4" Long | 1 | 42 | 952-002-013 | Flat Washer 3/8 Inch, Stainless Steel | 22 |
| 19 | 033-11017 | SAE Flat Washer, 1 1/4 Inch | 1 | 43 | 951-005-003 | Lock Nut 3/8-16 Mac Lock | 14 |
| 20 | 25012303 | Washer Weldment | 1 | 44 | 25011373 | Spring Assembly | 4 |
| 21 | 951-005-037 | Lock Nut 3/4-10, 2-Way | 1 | 45 | 25012306 | Strap | 8 |
| 22 | 25013239 | Bushing 5 7/8" Long | 2 | 46 | 952-004-040 | Machinery Bushing 21/32 x 1 1/8 x .048 | 4 |
| 23 | 25013023 | Bushing 4 3/8" Long | 2 | 47 | 953-002-049 | Clevis Pin 5/8 x 4 3/4 | 4 |
| 24 | 25011341 | Bushing 3 3/8" Long, Steel | 2 | 48 | 953-002-045 | Clevis Pin 5/8 x 6 | 4 |
| 25 | 25013022 | Bushing 15 15/16" Long, 8 1/2' Plow | 2 | 49 | 035-42033 | Cotter Pin 5/32 x 1 1/4 | 8 |
| | 25013042 | Bushing 21 15/16" Long, 9 1/2' Plow | 2 | 50 | 031-06302 | Hex Head Cap Screw 5/8-11 x 1 1/4 Gr. 5 | 8 |
| 26 | 25011338 | Bushing 3 3/8" Long | 2 | 51 | 952-002-007 | Flat Washer 5/8 Inch | 8 |
| | | | | 52 | 25012305 | Bushing | 8 |
| | | | | 53 | 951-005-044 | Lock Nut 5/8-11, 2-Way | 8 |

3

SKID STEER V-PLOW SNOWPLOW

FRAME ASSEMBLY

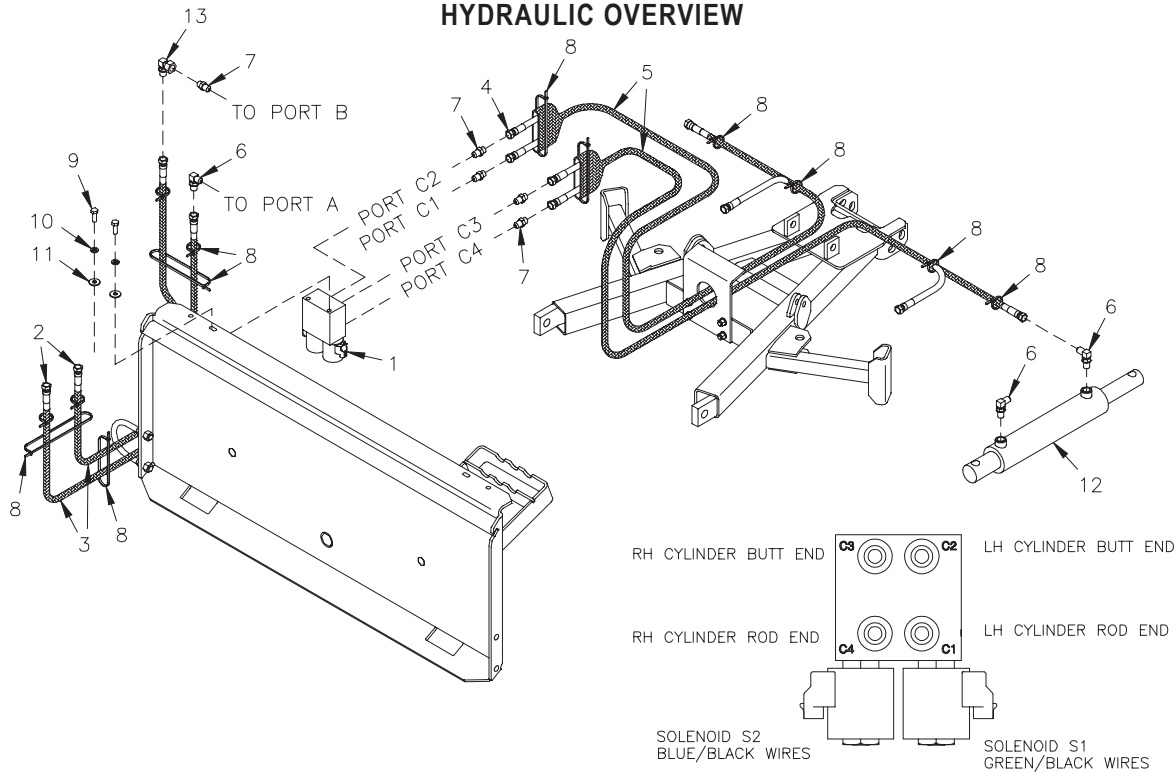


DWG. NO. 6119E

| REF. NO. | PART NUMBER | DESCRIPTION | QTY. | REF. NO. | PART NUMBER | DESCRIPTION | QTY. |
|----------|-------------|---|------|----------|-------------|---|------|
| 1 | 25012719 | Mount Plate Weldment | 1 | 16 | 952-004-070 | SAE Flat Washer 5/8", Hardened | 6 |
| 2 | 25011255 | Bar Weldment | 1 | 17 | 060756 | Lock Nut 5/8-11 Nylon Insert | 6 |
| 3 | 25011254 | Washer | 1 | 18 | 950-001-238 | Hex Head Cap Screw 5/8-11 x 8 Gr. 5 | 3 |
| 4 | 25013590 | Park Stand Feet Kit | 1 | 19 | 950-001-165 | Hex Head Cap Screw 5/8-11 x 7 1/2 Gr. 5 | 1 |
| 5 | 25011080 | 2 1/4 x 10 Hydraulic Cylinder (See Sec. 3 P. 7) | 2 | 20 | 950-001-087 | Hex Head Cap Screw 5/8-11 x 1 1/2 Gr. 5 | 3 |
| 6 | 956-005-022 | 90° Adapter 9/16 ORB x 9/16 JIC | 4 | 21 | 951-005-044 | Lock Nut 5/8-11 2-Way | 1 |
| 7 | 25011251 | Chain | 2 | 22 | 950-001-125 | Hex Head Cap Screw 1/2-13 x 1 1/2 Gr. 5 | 6 |
| 8 | 25011250 | Spacer | 2 | 23 | 10304 | Lock Nut 1/2-13 2-Way | 6 |
| 9 | 25012450 | Push Frame/Decal Assembly | 1 | 24 | 25013162 | U-Bolt 1/2-13 | 1 |
| 10 | 25011269 | Stop | 1 | 25 | 951-001-007 | Hex Nut 1/2-13 | 4 |
| 11 | 950-001-174 | Hex Head Cap Screw 3/4-10 x 3 1/2 Gr. 5 | 2 | 26 | 950-001-105 | Hex Head Cap Screw 3/8-16 x 1 Gr. 5 | 4 |
| 12 | 950-001-069 | Hex Head Cap Screw 3/4-10 x 3 1/4 Gr. 5 | 2 | 27 | 952-001-007 | Lock Washer 3/8 Inch | 4 |
| 13 | 950-001-031 | Hex Head Cap Screw 3/4-10 x 3 Gr. 5 | 2 | 28 | 951-001-005 | Hex Nut 3/8-16 | 4 |
| 14 | 951-005-037 | Lock Nut 3/4-10 2-Way | 6 | 29 | 25012271 | Warning Decal | 2 |
| 15 | 25013360 | Angle Brace | 2 | | | | |

SKID STEER V-PLOW SNOWPLOW

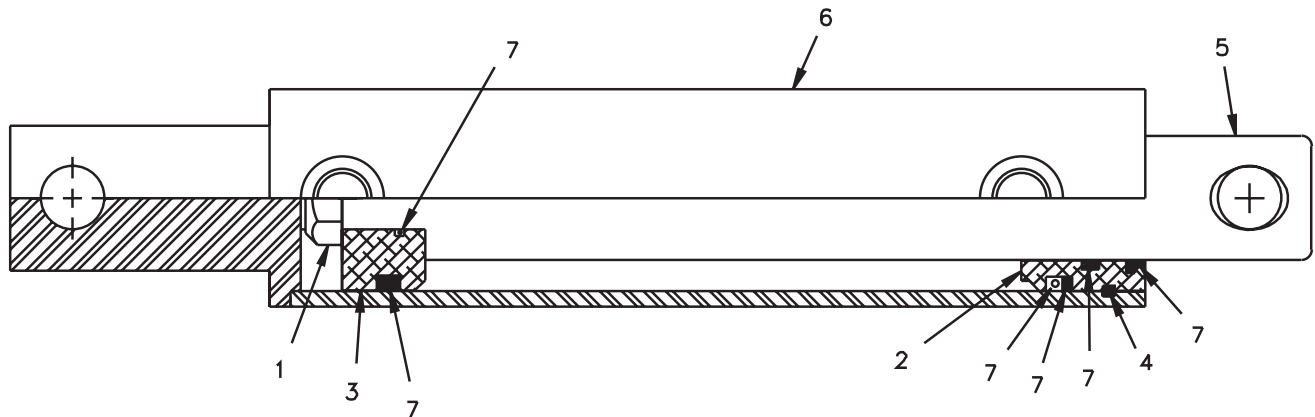
HYDRAULIC OVERVIEW



DWG. NO. 6120A

| REF. NO. | PART NUMBER | DESCRIPTION | QTY. | REF. NO. | PART NUMBER | DESCRIPTION | QTY. |
|----------|-------------|--|------|----------|-------------|-------------------------------------|------|
| 1 | 25011243 | Valve Manifold Assembly (See Sec. 3, Page 8) | 1 | 8 | 367-001-014 | Plastic Cable Tie 8" | 13 |
| 2 | 957-001-017 | Hydraulic Hose Assembly 3/8 x 72" | 2 | 9 | 950-001-105 | Hex Head Cap Screw 3/8-16 x 1 Gr. 5 | 2 |
| 3 | 25011131 | Nylon Sleeve 72" Long | 2 | 10 | 952-001-007 | Lock Washer 3/8 Inch | 2 |
| 4 | 957-010-008 | Hydraulic Hose Assembly 1/4 x 48" | 4 | 11 | 952-002-003 | Flat Washer 3/8 Inch | 2 |
| 5 | 25012547 | Nylon Sleeve 48" Long | 2 | 12 | 25011080 | 2 1/4 x 10 Hydraulic Cylinder | 2 |
| 6 | 956-005-022 | 90° Adapter 9/16 ORB x 9/16 JIC | 5 | 13 | 956-005-002 | 90° Adapter 9/16 JIC | 1 |
| 7 | 206-01024 | Straight Adapter 9/16 ORB x 9/16 JIC | 5 | | | | |

2 1/4 X 10 HYDRAULIC CYLINDER



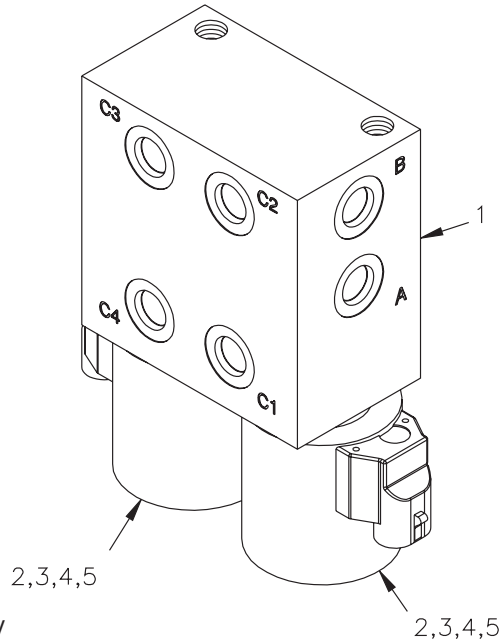
25011080 2 1/4 x 10 Cylinder

DWG. NO. 5189

| REF. NO. | PART NUMBER | DESCRIPTION | QTY. | REF. NO. | PART NUMBER | DESCRIPTION | QTY. |
|----------|-------------|----------------|------|----------|-------------|-------------|------|
| 1 | 25011119 | Nut | 1 | 5 | 25011123 | Shaft | 1 |
| 2 | 25011120 | Head | 1 | 6 | 25011124 | Barrel | 1 |
| 3 | 25011121 | Piston | 1 | 7 | 25011145 | Repair Kit | 1 |
| 4 | 25011122 | Retaining Ring | 1 | | | | |

SKID STEER V-PLOW SNOWPLOW

VALVE MANIFOLD

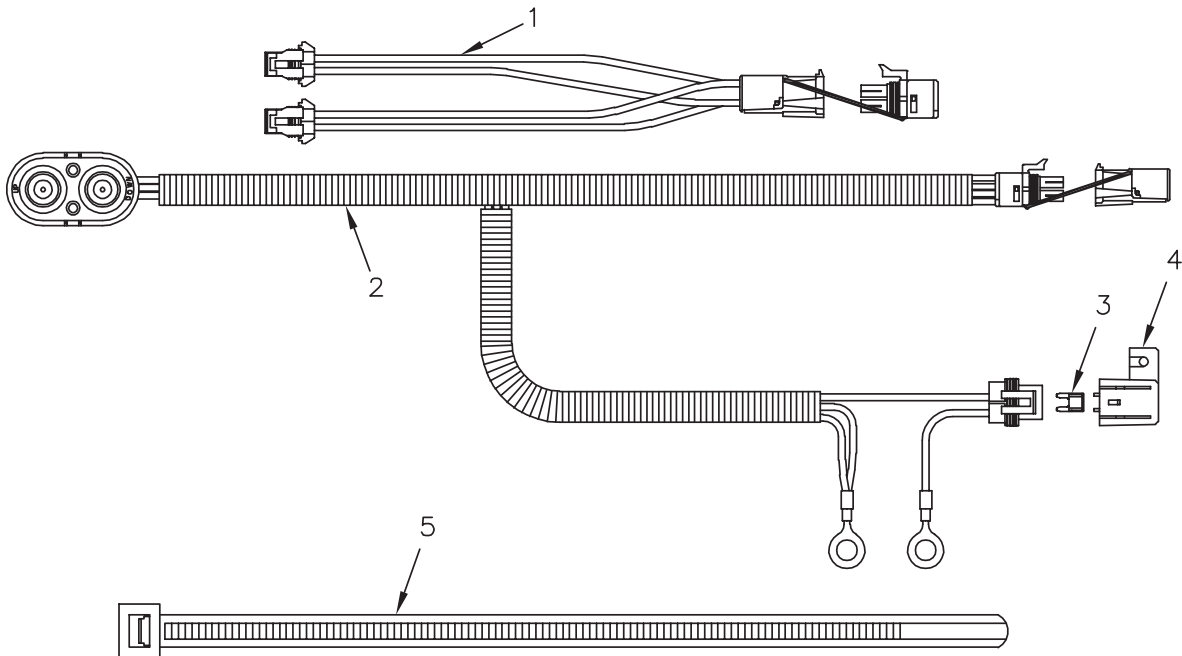


25011243 Valve Manifold Assembly

DWG. NO. 5190

| REF. NO. | PART NUMBER | DESCRIPTION | QTY. | REF. NO. | PART NUMBER | DESCRIPTION | QTY. |
|----------|-------------|----------------|------|----------|-------------|--------------------|------|
| 1 | 25011241 | Manifold Block | 1 | 4 | 25011108 | 10 Size E-Coil | 2 |
| 2 | 25011106 | Orifice Disc | 2 | 5 | 25011107 | E-Coil Nut | 2 |
| 3 | 25011240 | Spool Valve | 2 | 6 | 25011242 | Seal Kit, Solenoid | 2 |

ELECTRICAL WIRING

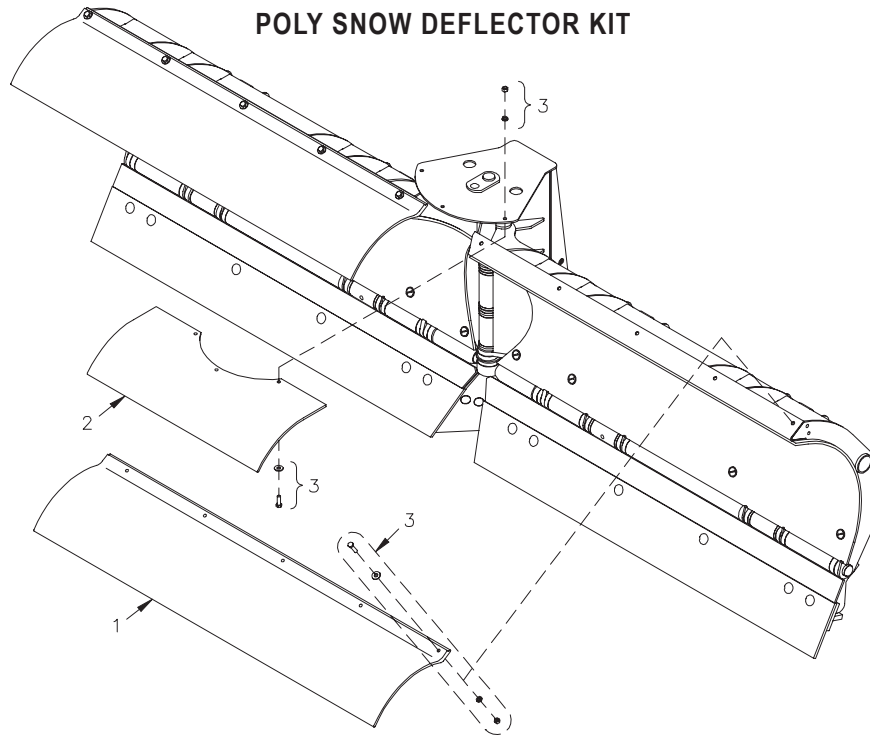


DWG. NO. 5227

| REF. NO. | PART NUMBER | DESCRIPTION | QTY. | REF. NO. | PART NUMBER | DESCRIPTION | QTY. |
|----------|-------------|---------------------------|------|----------|-------------|---------------------------------|------|
| 1 | 38813064 | Skid Steer Plow Harness | 1 | 4 | 38400012 | Cover, Fuse Holder | 1 |
| 2 | 38813065 | Skid Steer Harness V-Plow | 1 | 5 | 921-001-108 | Plastic Cable Tie 3/8 x 28 Inch | A/R |
| 3 | 39207031 | Fuse 10 AMP ATO/ATC | 1 | | | | |

SKID STEER V-PLOW SNOWPLOW

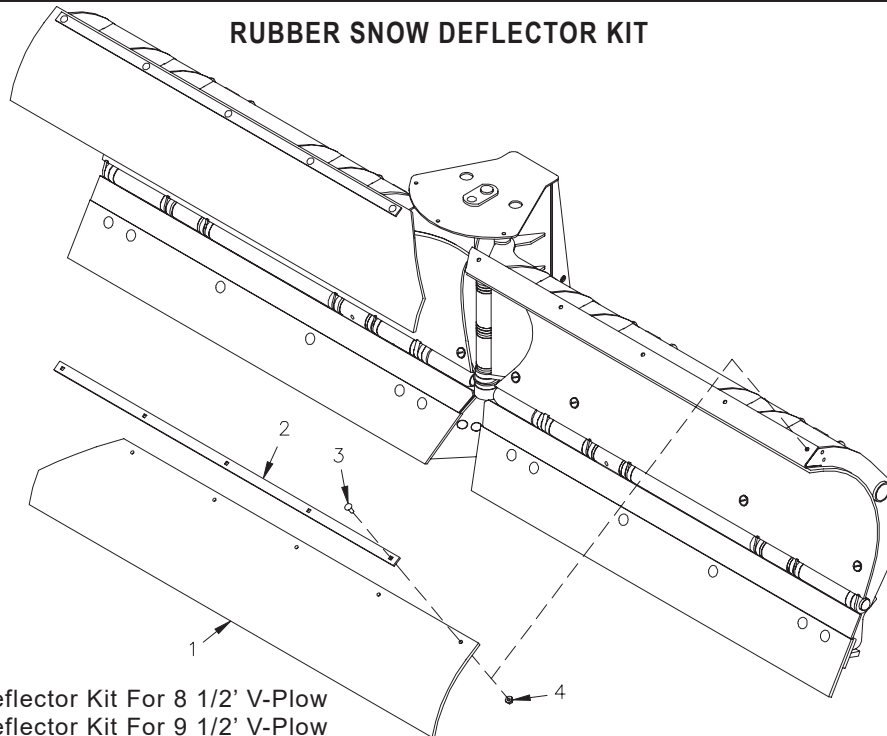
POLY SNOW DEFLECTOR KIT



DWG. NO. 5679A

| REF. NO. | PART NUMBER | DESCRIPTION | QTY. | REF. NO. | PART NUMBER | DESCRIPTION | QTY. |
|----------|-------------|---------------------------------------|------|----------|-------------|---|------|
| 1 | 25011791 | Poly Snow Deflector Kit 8 1/2' V-Plow | 1 | 2 | 25011796 | Center Deflector | 1 |
| | 25011792 | Poly Snow Deflector Kit 9 1/2' V-Plow | 1 | 3 | 25011793 | Bolt Box, Snow Deflector (Included With Kits) | 1 |

RUBBER SNOW DEFLECTOR KIT



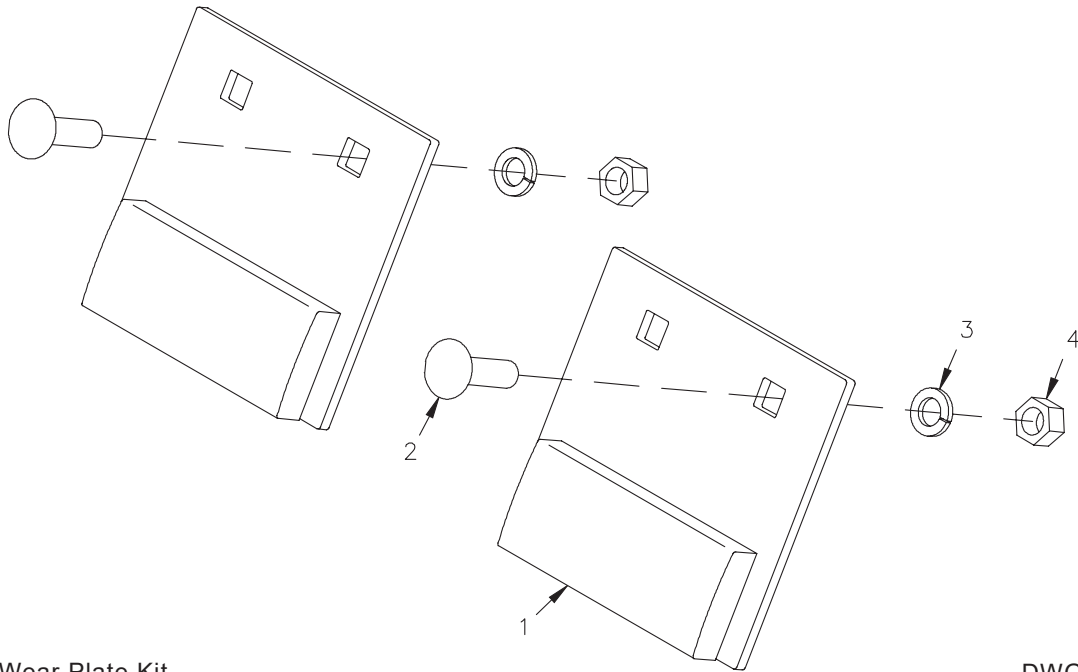
25010633 Snow Deflector Kit For 8 1/2' V-Plow
25010910 Snow Deflector Kit For 9 1/2' V-Plow

DWG. NO. 5191A

| REF. NO. | PART NUMBER | DESCRIPTION | QTY. | REF. NO. | PART NUMBER | DESCRIPTION | QTY. |
|----------|-------------|-------------------------------------|------|----------|-------------|--|------|
| 1 | 25010695 | Snow Deflector, 8 1/2' V-Plow | 2 | 3 | 030-16042 | Carriage Bolt 5/16-18 x 1 Gr. 5, 8 1/2' V-Plow | 10 |
| | 25010912 | Snow Deflector, 9 1/2' V-Plow | 2 | | 030-16042 | Carriage Bolt 5/16-18 x 1 Gr. 5, 9 1/2' V-Plow | 12 |
| 2 | 25010690 | Snow Deflector Strap, 8 1/2' V-Plow | 2 | 4 | 951-005-036 | Lock Nut 5/16-18 x 1 Mac Lock, 8 1/2' V-Plow | 10 |
| | 25010911 | Snow Deflector Strap, 9 1/2' V-Plow | 2 | | 951-005-036 | Lock Nut 5/16-18 x 1 Mac Lock, 9 1/2' V-Plow | 12 |

SKID STEER V-PLOW SNOWPLOW

WEAR PLATE KIT

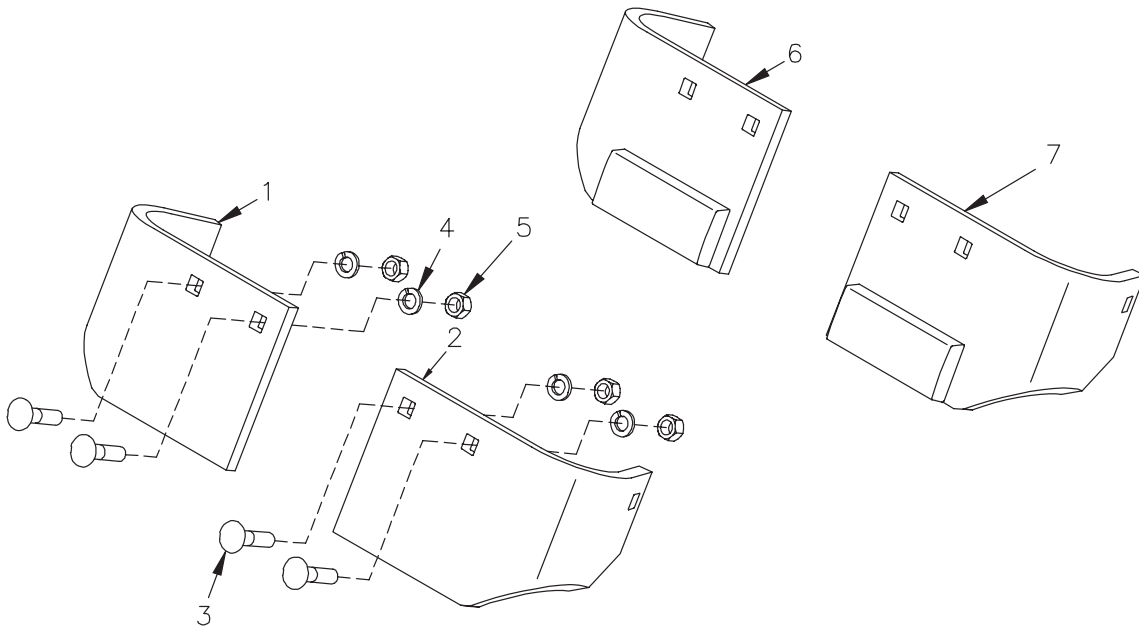


25012587 Wear Plate Kit

DWG. NO. 6331

| REF. NO. | PART NUMBER | DESCRIPTION | QTY. | REF. NO. | PART NUMBER | DESCRIPTION | QTY. |
|----------|-------------|------------------------------------|------|----------|-------------|----------------------|------|
| 1 | 25012588 | Wear Plate Weldment | 2 | 3 | 952-001-004 | Lock Washer 1/2 Inch | 4 |
| 2 | 950-003-058 | Carriage Bolt 1/2-13 x 1 3/4 Gr. 5 | 4 | 4 | 951-001-007 | Hex Nut 1/2-13 | 4 |

CURB GUARD KITS



25011695 Curb Guard Kit - Standard
25012726 Curb Guard Kit With Wear Bars

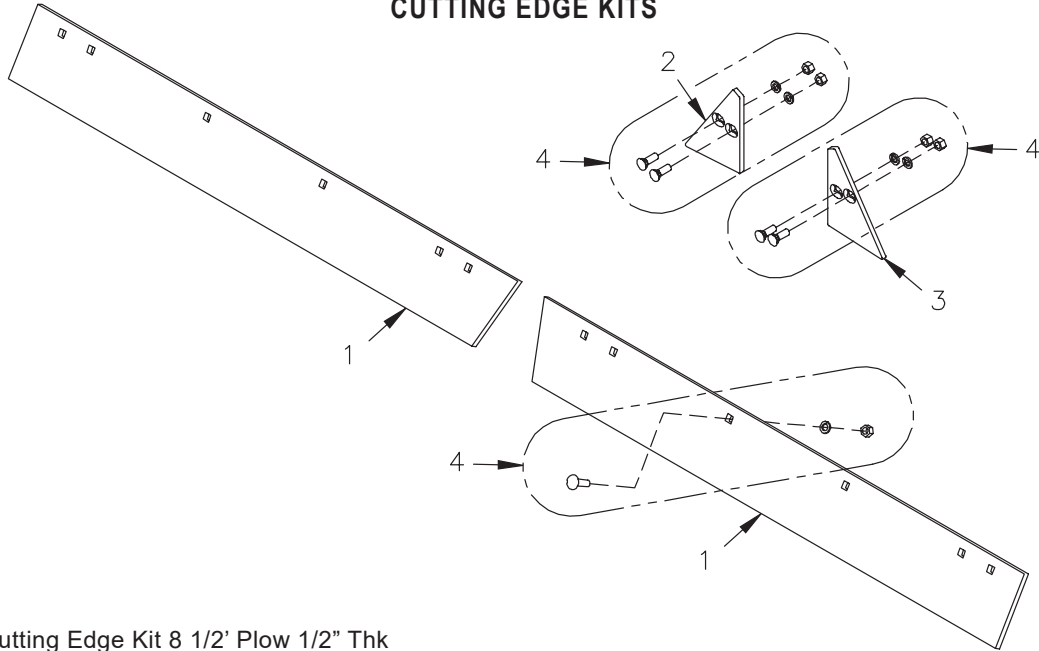
DWG. NO. 5486

| REF. NO. | PART NUMBER | DESCRIPTION | QTY. | REF. NO. | PART NUMBER | DESCRIPTION | QTY. |
|----------|-------------|------------------------------------|------|----------|-------------|-----------------------------|------|
| 1 | 25011712 | RH Curb Guard - Standard | 1 | 5 | 951-001-007 | Hex Nut 1/2-13 | 4 |
| 2 | 25011713 | LH Curb Guard - Standard | 1 | 6 | 25012722 | RH Curb Guard With Wear Bar | 1 |
| 3 | 950-003-051 | Carriage Bolt 1/2-13 x 2 1/4 Gr. 5 | 4 | 7 | 25012723 | LH Curb Guard With Wear Bar | 1 |
| 4 | 952-001-004 | Lock Washer 1/2 Inch | 4 | | | | |

3 STEPS

SKID STEER V-PLOW SNOWPLOW

CUTTING EDGE KITS



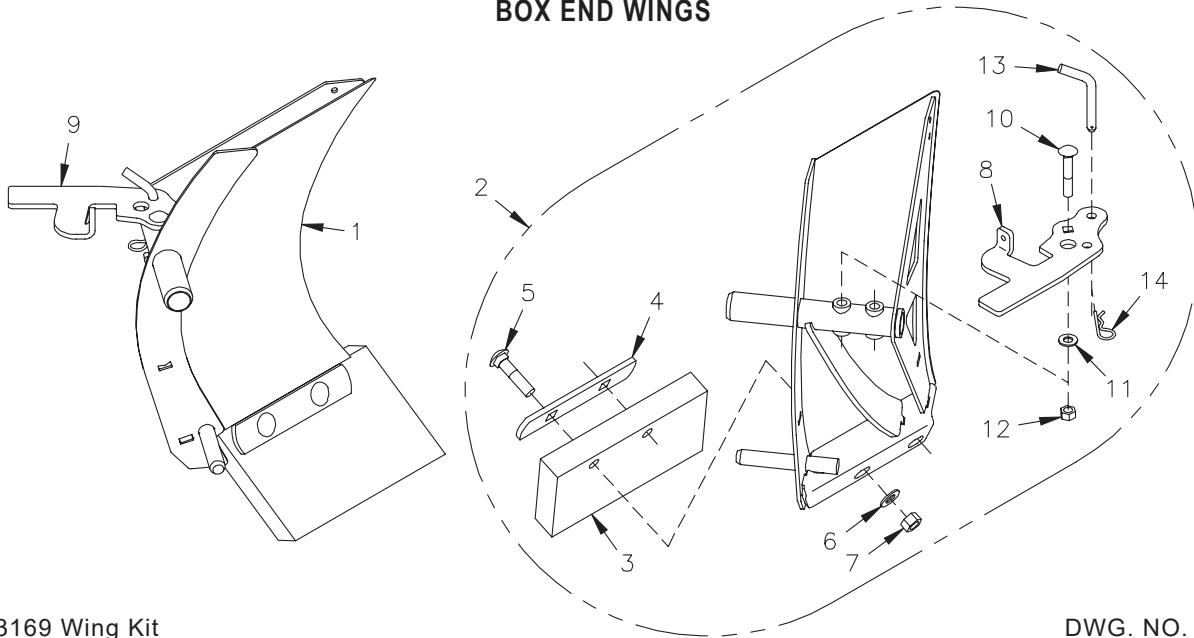
25013298 Cutting Edge Kit 8 1/2' Plow 1/2" Thk
 25013299 Cutting Edge Kit 9 1/2' Plow 1/2" Thk

DWG. NO. 6122B

| REF. NO. | PART NUMBER | DESCRIPTION | QTY. | REF. NO. | PART NUMBER | DESCRIPTION | QTY. |
|----------|-------------|-----------------------------------|------|----------|-------------|------------------------------|------|
| 1 | 25012420 | Cutting Edge 8 1/2' Plow 1/2" Thk | 2 | 2 | 25013510 | RH Center Cutting Edge Plate | 1 |
| | 25012421 | Cutting Edge 9 1/2' Plow 1/2" Thk | 2 | 3 | 25013511 | LH Center Cutting Edge Plate | 1 |
| | | | | 4 | 25012296 | Cutting Edge Bolt Kit | 1 |

3
CIMS

BOX END WINGS



25013169 Wing Kit

DWG. NO. 6799A

| REF. NO. | PART NUMBER | DESCRIPTION | QTY. | REF. NO. | PART NUMBER | DESCRIPTION | QTY. |
|----------|-------------|------------------------------------|------|----------|-------------|--------------------------------|------|
| 1 | 25013214 | Complete LH Wing Assembly | 1 | 8 | 25013209 | RH Locking Arm | 1 |
| 2 | 25013215 | Complete RH Wing Assembly | 1 | 9 | 25013208 | LH Locking Arm | 1 |
| 3 | 25013205 | Rubber Edge | 1 | 10 | 030-16138 | Carriage Bolt 1/2-13 x 3 Gr. 5 | 1 |
| 4 | 25013206 | Strap | 1 | 11 | 952-003-004 | SAE Flat Washer, 1/2 Inch | 1 |
| 5 | 030-12168 | Carriage Bolt 5/8-11 X 2 3/4 Gr. 5 | 2 | 12 | 10304 | Lock Nut 1/3-13 2-Way | 1 |
| 6 | 952-003-003 | SAE Flat Washer, 5/8 Inch | 2 | 13 | 25013207 | Bent Arm Pin 1/2 x 3 | 1 |
| 7 | 951-005-044 | Lock Nut 5/8-11 2-Way | 2 | 14 | 953-005-003 | Hair Pin Cotter | 1 |

