

SECTION 6

POLY TRIP EDGE

SCOOP PLOW

MODELS: 6812/6912, 6813/6913

PLOW COMPONENTS

- PAGE 2 MOLDBOARD ASSEMBLIES**
- PAGE 3 STEEL CUTTING EDGE KITS**
RUBBER CUTTING EDGE KITS
- PAGE 4 PUSH FRAME ASSEMBLY**
- PAGE 5 LIFT FRAME ASSEMBLY**
- PAGE 6 POWER UNIT COVER ASSEMBLY**
POLY SNOW DEFLECTOR KITS
- PAGE 7 WEAR PLATE KIT**
CURB GUARD KITS
- PAGE 15 SKID SHOE ASSEMBLY**

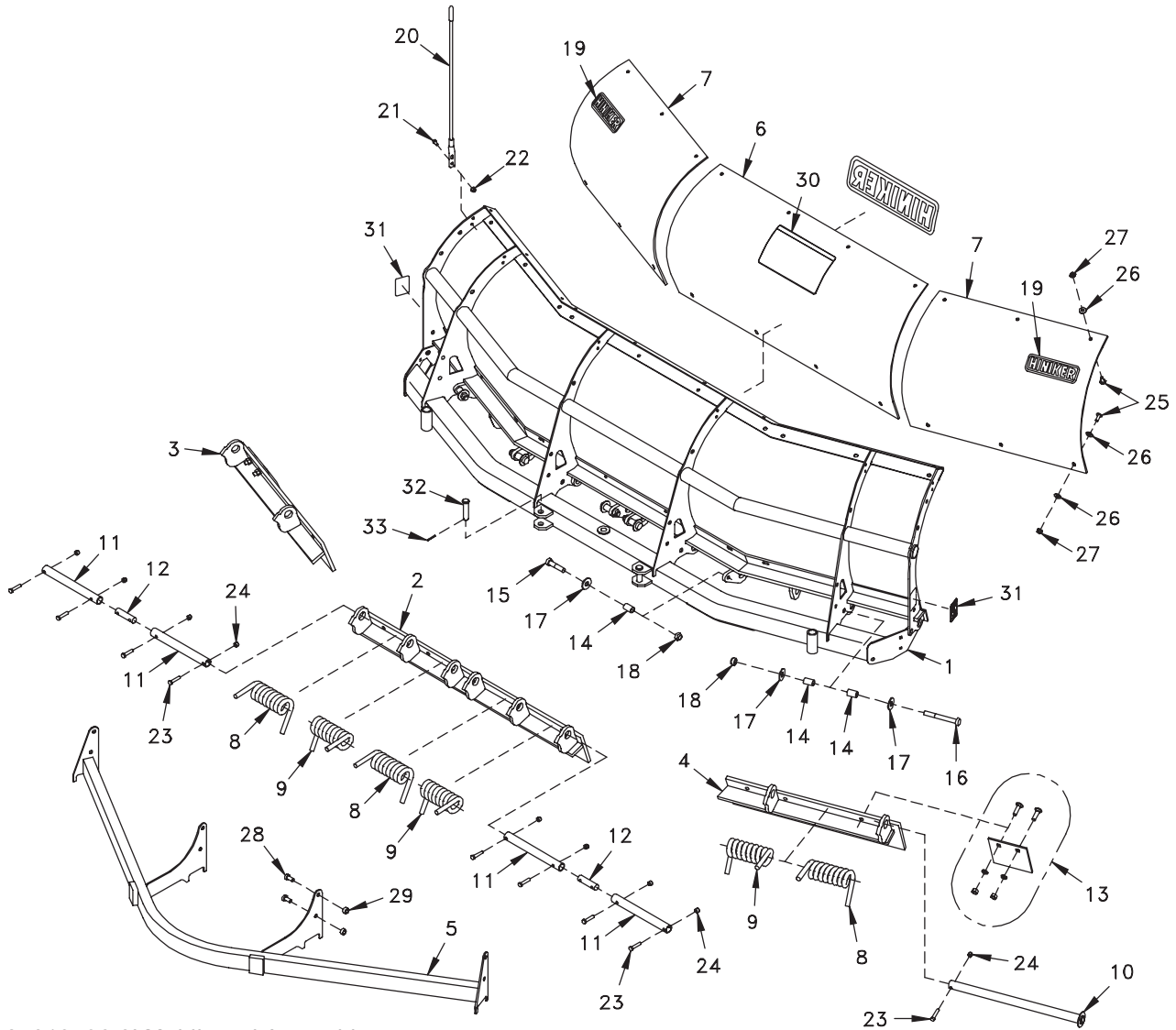
HYDRAULIC COMPONENTS

- PAGE 8 HYDRAULIC OVERVIEW**
HYDRAULIC CYLINDERS
- PAGE 9 POWER UNIT KTI MODEL DC 45298 RA**
- PAGE 10 POWER UNITS SPX MODELS DB-7929-2, DB-20142923-2**

ELECTRICAL COMPONENTS

- PAGE 11 UNDERHOOD WIRING HARNESS**
UNDERHOOD WIRING REMOUNT KIT W/ CPC
- PAGE 12 PLOW WIRING HARNESS- LED HEADLAMPS**
PLOW WIRING HARNESS- COMPOSITE HEADLAMPS
- PAGE 13 POWER CABLES AND DUST CAPS**
JOYSTICK CONTROLLER
- PAGE 14 LED HEADLAMPS**
COMPOSITE HEADLAMPS

MOLDBOARD ASSEMBLIES



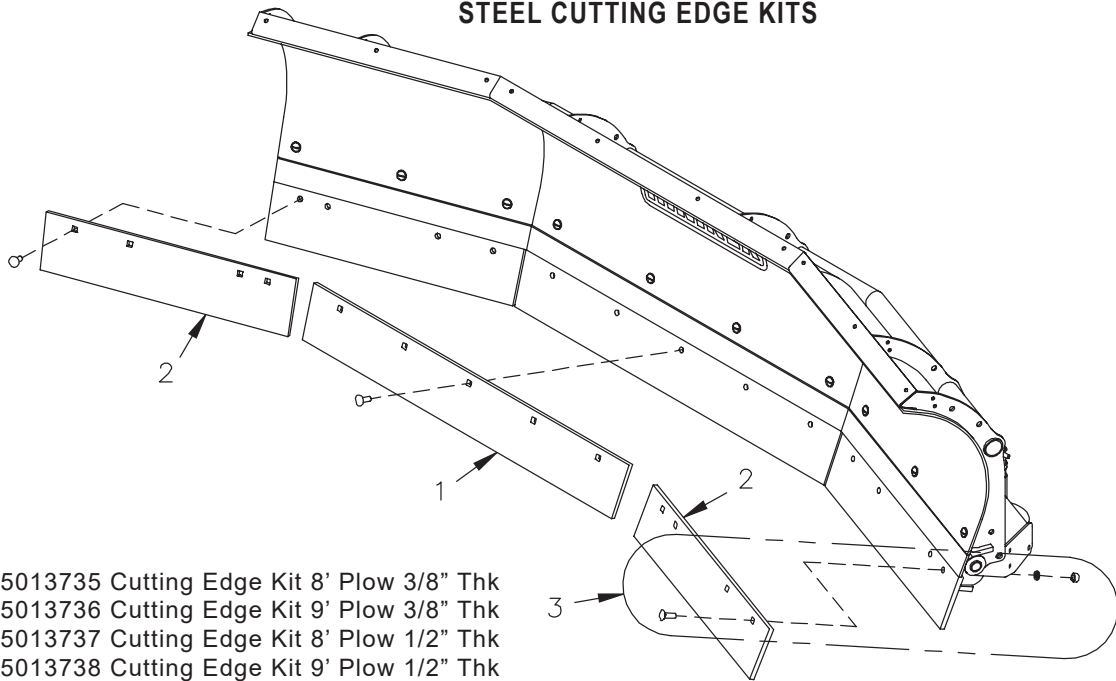
25013596 8' Moldboard Assembly
25013597 9' Moldboard Assembly

DWG. NO. 7346A

REF. NO.	PART NUMBER	DESCRIPTION	QTY.	REF. NO.	PART NUMBER	DESCRIPTION	QTY.
1	25013604	Scoop Frame Weldment-8' Plow (Shown)	1	16	950-001-131	Hex Head Cap Screw 5/8-11 x 4 1/2 Gr. 5	2
	25013625	Scoop Frame Weldment-9' Plow	1	17	952-002-007	Flat Washer 5/8 Inch	8
2	25013630	Middle Trip Edge Weldment-8' Plow	1	18	951-005-082	Lock Nut 5/8-11 Uni Torque	6
	25013642	Middle Trip Edge Weldment-9' Plow	1	19	25011684	Hiniker Decal	2
3	25013631	LH Outer Trip Edge Weldment	1	20	25010118	Blade Guide Red	2
4	25013632	RH Outer Trip Edge Weldment	1	21	950-001-110	Hex Head Cap Screw 5/16-18 x 1 Gr. 5	4
5	25013633	Quadrant Weldment - 8' Plow (Shown)	1	22	951-005-036	Lock Nut 5/16-18 Mac Lock	4
	25013643	Quadrant Weldment - 9' Plow	1	23	950-001-092	Head Cap Screw 3/8-16 x 1 3/4 Gr. 5	10
6	25013603	Poly Moldboard Blank/Logo Decal Assembly-8' Plow	1	24	951-003-002	Lock Nut 3/8-16 Nylon Insert	10
	25013602	Poly Moldboard Blank/Logo Decal Assembly-9' Plow	1	25	700-11704	Machine Screw 3/8-16 x 1 Slotted Truss Head	20
7	25013635	Poly Moldboard Blank-End	2	26	952-002-013	Flat Washer 3/8 Inch, Stainless Steel	26
8	25013404	Helical Torsion Spring LH Wound	4	27	951-005-003	Lock Nut 3/8-16 Mac Lock	20
9	25013403	Helical Torsion Spring RH Wound	4	28	950-001-231	Head Cap Screw 1/2-13 x 1 Gr. 5	A/R
10	25013636	Outer Trip Pin Weldment	2	29	10304	Lock Nut 1/2-13 2-Way	A/R
11	25013637	Trip Pin Scoop Mid Section	4	30	25013641	Decal-Removal	1
12	25013638	Trip Pin Plug	2	31	25013529	Decal-Warning	2
13	25012587	Wear Bar Kit (See Sec. 6, P. 7)	1	32	953-002-032	Clevis Pin 3/4 x 3	2
14	25013406	Bushing	8	33	035-42033	Cotter Pin 5/32 x 1 1/4	2
15	031-06308	Hex Head Cap Screw 5/8-11 x 2 3/4 Gr. 5	4				

6 CEMS

STEEL CUTTING EDGE KITS

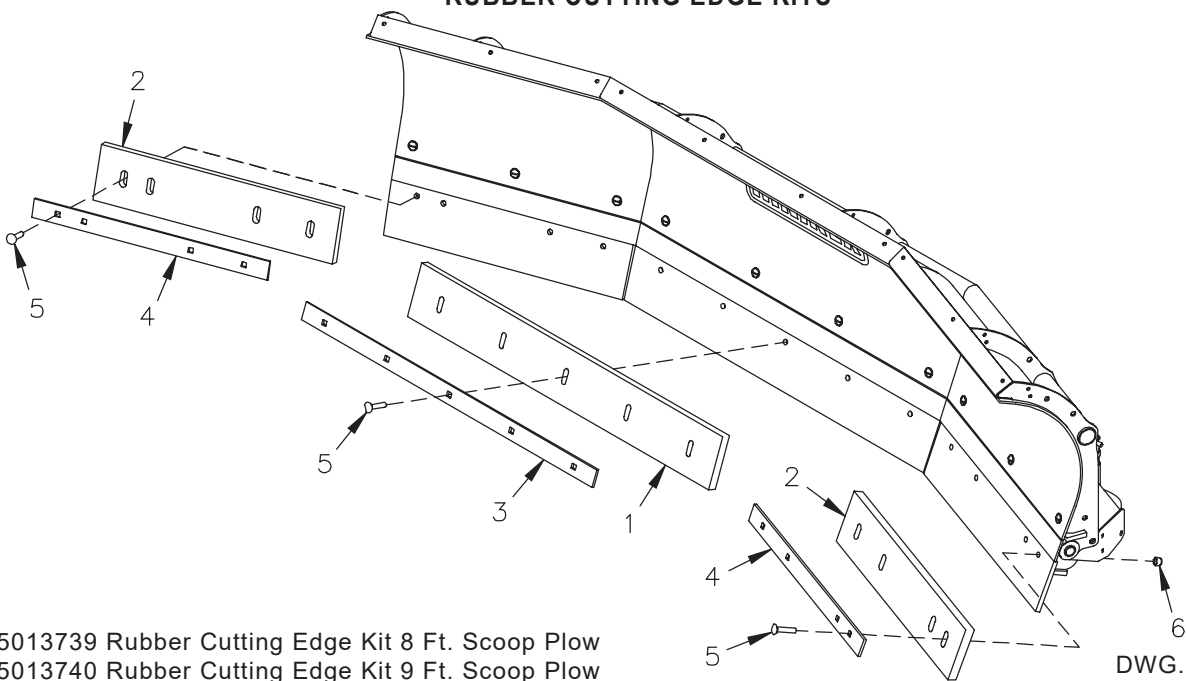


25013735 Cutting Edge Kit 8' Plow 3/8" Thk
 25013736 Cutting Edge Kit 9' Plow 3/8" Thk
 25013737 Cutting Edge Kit 8' Plow 1/2" Thk
 25013738 Cutting Edge Kit 9' Plow 1/2" Thk

DWG. NO. 7349

REF. NO.	PART NUMBER	DESCRIPTION	QTY.	REF. NO.	PART NUMBER	DESCRIPTION	QTY.
1	25013743	Middle Cutting Edge 8' Plow 3/8" Thk	1	2	25013741	End Cutting Edge 3/8" Thk	2
	25013744	Middle Cutting Edge 9' Plow 3/8" Thk	1		25013742	End Cutting Edge 1/2" Thk	2
	25013745	Middle Cutting Edge 8' Plow 1/2" Thk	1	3	25012485	Cutting Edge Bolt Kit	1
	25013746	Middle Cutting Edge 9' Plow 1/2" Thk	1				

RUBBER CUTTING EDGE KITS

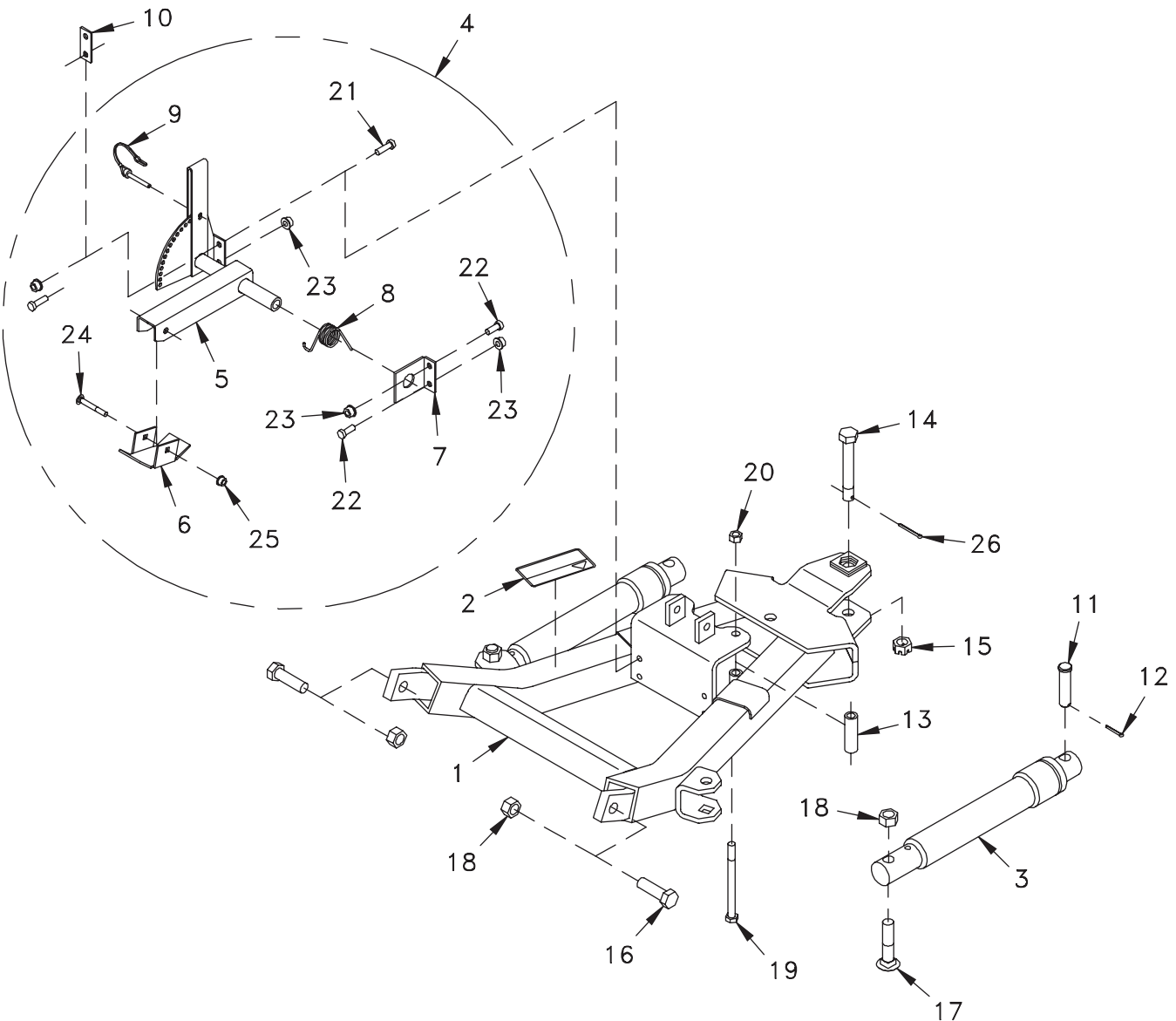


25013739 Rubber Cutting Edge Kit 8 Ft. Scoop Plow
 25013740 Rubber Cutting Edge Kit 9 Ft. Scoop Plow

DWG. NO. 7350

REF. NO.	PART NUMBER	DESCRIPTION	QTY.	REF. NO.	PART NUMBER	DESCRIPTION	QTY.
1	25013747	Rubber Cutting Edge 8 Ft. Middle, 43 1/2" Lg	1	4	25011781	Strap Scoop End	2
	25013748	Rubber Cutting Edge 9 Ft. Middle, 55 1/2" Lg	1	5	030-16136	Carriage Bolt 1/2-13 x 2 1/2 Gr. 5	A/R
2	25011778	Rubber Cutting Edge Scoop End	2	6	951-003-009	Hex Nut 1/2 Nylon Insert #5	A/R
3	25011780	Strap 8 Ft. Scoop Middle	1				
	25011785	Strap 9 Ft. Scoop Middle	1				

PUSH FRAME ASSEMBLY

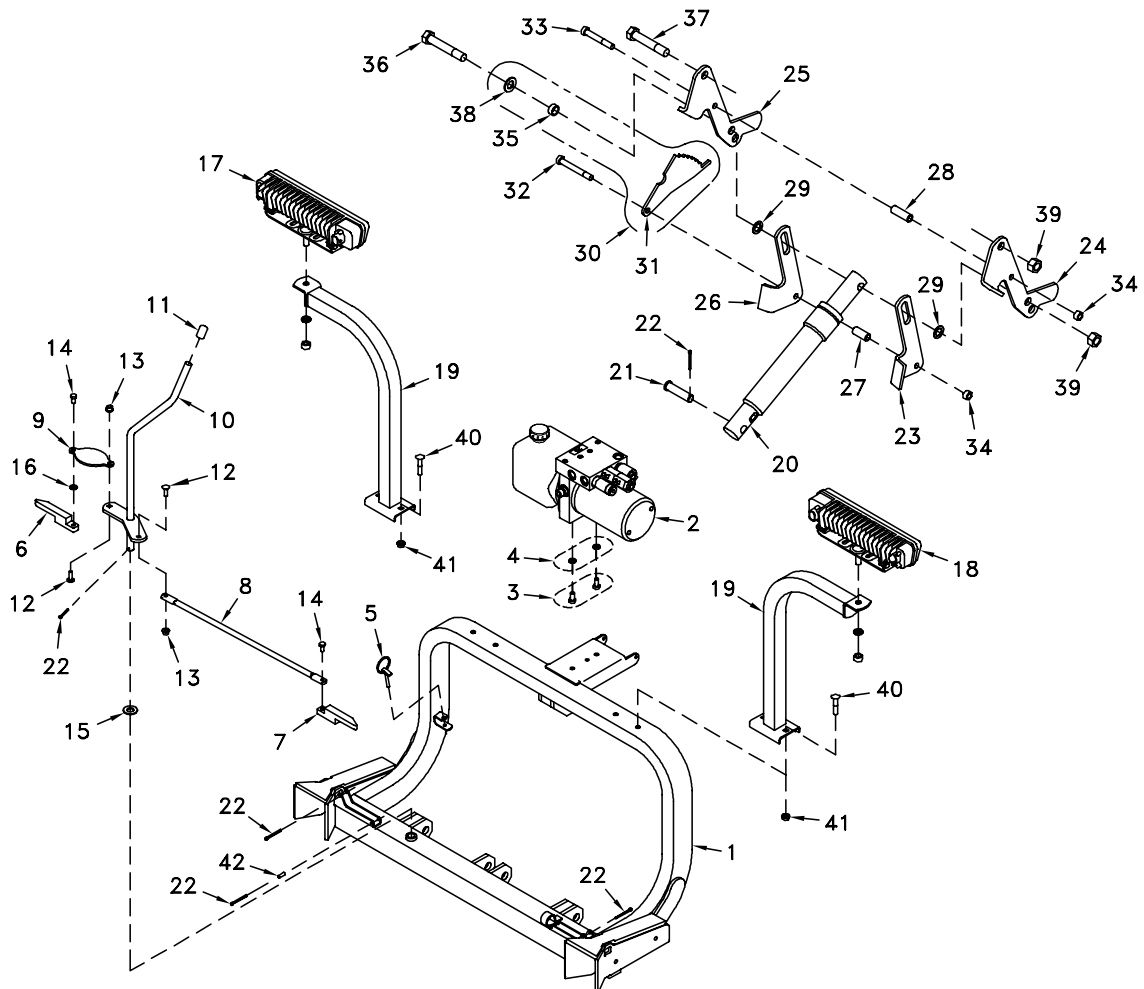


DWG. NO. 7347

REF. NO.	PART NUMBER	DESCRIPTION	QTY.	REF. NO.	PART NUMBER	DESCRIPTION	QTY.
1	25012483	Push Frame Weldment/Decal Assembly	1	14	25012614	Drilled Bolt 3/4-10 x 5 Gr. 5	1
2	25010697	Caution Decal	1	15	034-00136	Slotted Nut 3/4-10	1
3	25010523	1 1/2 x 10 SA Cylinder (See Sec. 6 Pg. 8)	2	16	950-001-030	Hex Head Cap Screw 3/4-10 x 2 1/2 Gr. 5	2
4	25011050	Park Stand Kit	1	17	030-16198	Carriage Bolt 3/4-10 x 3 1/2 Gr. 5	2
5	25010800	Lever Weldment	1	18	951-005-037	Lock Nut 3/4-10 Inch 2-Way	4
6	25010801	Stand Foot	1	19	031-06219	Hex Head Cap Screw 1/2-13 x 6 Gr. 5	2
7	25010798	Bracket	1	20	10304	Lock Nut 1/2-13 2-Way	2
8	25010795	Helical Torsion Spring	1	21	950-001-106	Hex Head Cap Screw 3/8-16 x 1 1/4 Gr. 5	2
9	25010797	Tab Lock Pin, 1/4 x 2	1	22	950-001-105	Hex Head Cap Screw 3/8-16 x 1 Gr. 5	2
10	25011486	Parking Stand Spacer	1	23	951-005-003	Lock Nut 3/8-16 Mac Lock	4
11	953-002-032	Clevis Pin 3/4 x 3	2	24	950-003-074	Carriage Bolt 5/16-18 x 2 1/2 Gr. 5	1
12	035-42033	Cotter Pin 5/32 x 1 1/4	2	25	951-005-036	Lock Nut 5/16-18 Mac Lock	1
13	25011477	2 13/16" Long Bushing	2	26	953-001-008	Cotter Pin 3/16 x 1 3/4	1

6 STEPS

LIFT FRAME ASSEMBLY

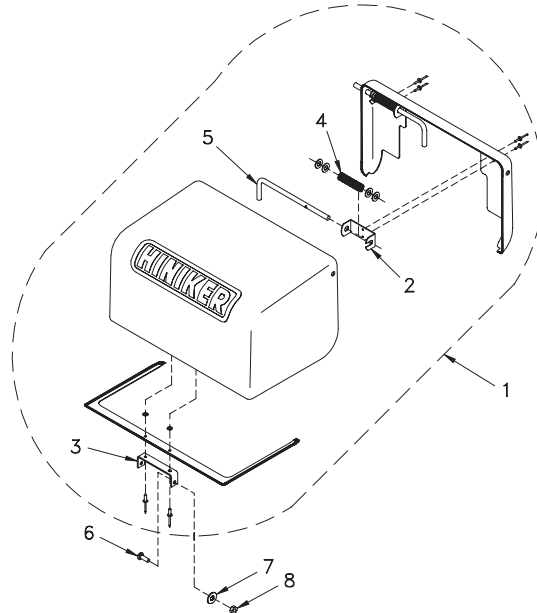


DWG. NO. 5734D

6

REF. NO.	PART NUMBER	DESCRIPTION	QTY.	REF. NO.	PART NUMBER	DESCRIPTION	QTY.
1	25013338	Frame Weldment	1	21	953-002-032	Clevis Pin 3/4 x 3	1
2	25014151	Power Unit KTI (See Sec. 6, p 9)	1	22	035-42033	Cotter Pin 5/32 x 1 1/4	5
	25014034	Power Unit- SPX (See Sec. 6, p.10)	1	23	25012396	RH Lower Link	1
3	950-001-089	Hex Head Cap Screw 3/8-16 x 3/4 Gr. 5	2	24	25012394	RH Upper Link	1
4	952-001-007	Lock Washer 3/8 Inch	2	25	25012393	LH Upper Link	1
5	703-00209	Klik Pin	1	26	25012395	LH Lower Link	1
6	25012959	LH Slider	1	27	25010114	Lower Link Spacer	1
7	25012960	RH Slider	1	28	25011048	Upper Link Spacer	1
8	25012961	Long Tie Rod	1	29	952-004-003	Machinery Bushing 25/32 x 1 1/4 x .075	2
9	25013157	Short Latch Link	1	30	25011986	Stop Plate Kit (Includes Lock Nut #39)	1
10	25012962	Latch Lever Weldment	1	31	25011984	Stop Plate	1
11	25011230	Vinyl Cap	1	32	950-001-301	Hex Head Cap Screw 1/2-13 x 4 1/4 Gr. 5	1
12	030-16042	Carriage Bolt 5/16-18 x 1 Gr. 5	2	33	950-001-142	Hex Head Cap Screw 1/2-13 x 3 1/2 Gr. 5	1
13	951-005-036	Lock Nut 5/16-18 Mac Lock	2	34	10304	Lock Nut 1/2-13, 2-Way	2
14	950-011-042	Hex Head Cap Screw 5/16-18 x 3/4 Nylon Dri-Lock	2	35	25011885	Bushing	1
15	952-003-003	SAE Flat Washer 5/8 Inch	1	36	950-001-311	Hex Head Cap Screw 3/4-10 x 4 1/2 Gr. 5, 1 1/4 Thd Lgth	1
16	033-12007	SAE Flat Washer 5/16 Inch	1	37	950-001-310	Hex Head Cap Screw 3/4-10 x 4 1/4 Gr. 5, 1 1/4 Thd Lgth	1
17	25014164	LH LED Headlight (See Sec. 6, p.14)	1	38	033-12013	SAE Flat Washer 3/4 Inch	1
	25013250	LH Headlight Assembly (See Sec. 6, p. 14)	1	39	951-005-037	Lock Nut 3/4-10, 2-Way	2
18	25014165	RH LED Headlight (See Sec. 6, p. 14)	1	40	950-003-070	Carriage Bolt 3/8-16 x 2 Gr. 5	4
	25013251	RH Headlight Assembly (See Sec. 6, p. 14)	1	41	951-005-003	Lock Nut 3/8-16 Mac Lock	4
19	25011334	Light Bracket Weldment	2	42	30008816	Slotted Spring Pin 1/4 x 3/4	1
20	25011581	1 1/2 x 9 Cylinder (See Sec. 6, p. 8)	1				

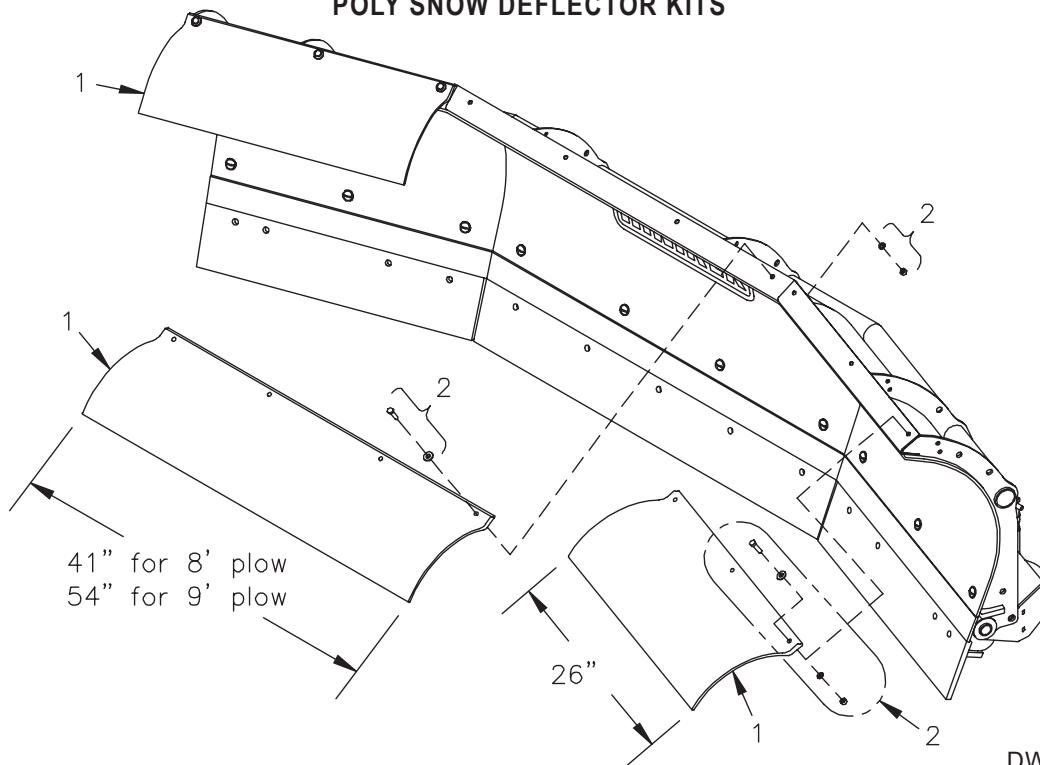
POWER UNIT COVER ASSEMBLY



DWG. NO. 5559

REF. NO.	PART NUMBER	DESCRIPTION	QTY.	REF. NO.	PART NUMBER	DESCRIPTION	QTY.
1	25011070	Cover Assembly (Includes Items 2-5)	1	5	25011071	Rod	2
2	25011073	Clevis	2	6	031-10657	Machine Screw 1/4-20 x 3/4 Slotted Round Head	2
3	25011072	Clevis	1	7	952-002-011	Flat Washer 1/4 Inch	2
4	25010717	Compression Spring	2	8	060954	Lock Nut 1/4-20 Nylon Insert	2

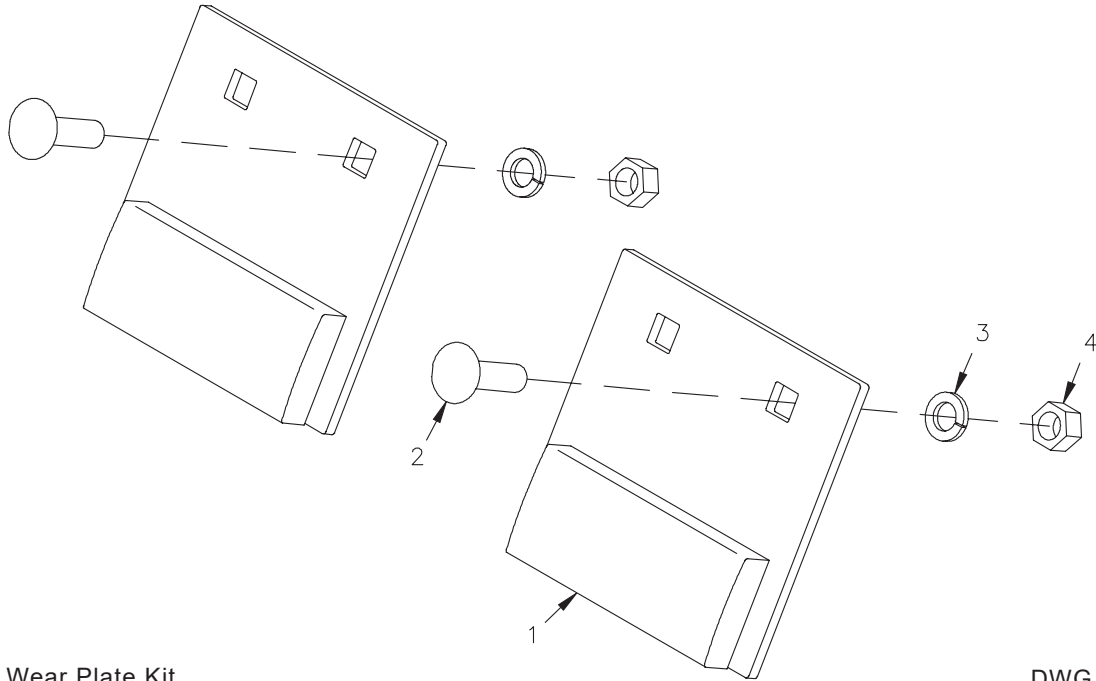
POLY SNOW DEFLECTOR KITS



DWG. NO. 7348

REF. NO.	PART NUMBER	DESCRIPTION	QTY.	REF. NO.	PART NUMBER	DESCRIPTION	QTY.
1	25011789	Poly Snow Deflector Kit 8' Plow	1	2	25011793	Bolt Box, Snow Deflector (Included With Kits)	1
	25011983	Poly Snow Deflector Kit 9' Plow	1				

WEAR PLATE KIT

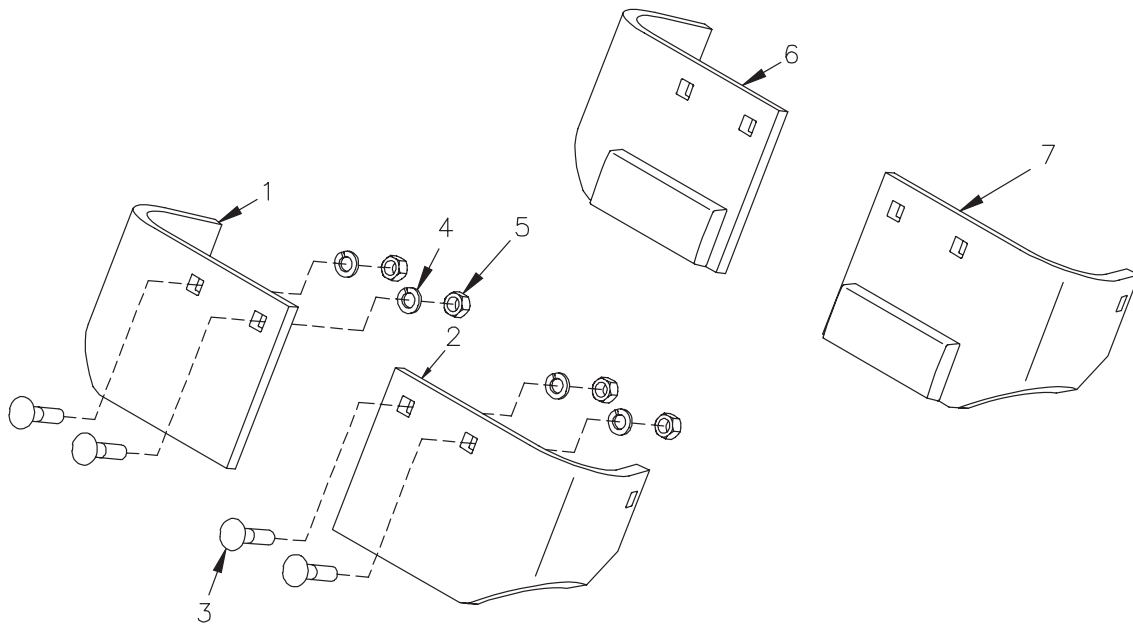


25012587 Wear Plate Kit

DWG. NO. 6331

REF. NO.	PART NUMBER	DESCRIPTION	QTY.	REF. NO.	PART NUMBER	DESCRIPTION	QTY.
1	25012588	Wear Plate Weldment	2	3	952-001-004	Lock Washer 1/2 Inch	4
2	950-003-058	Carriage Bolt 1/2-13 x 1 3/4 Gr. 5	4	4	951-001-007	Hex Nut 1/2-13	4

CURB GUARD KITS



25011695 Curb Guard Kit - Standard

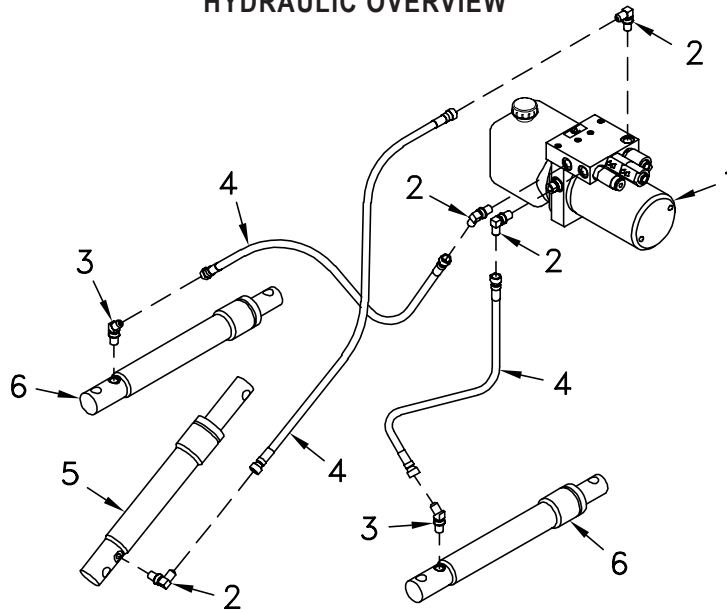
25012726 Curb Guard Kit With Wear Bars

DWG. NO. 5486

REF. NO.	PART NUMBER	DESCRIPTION	QTY.	REF. NO.	PART NUMBER	DESCRIPTION	QTY.
1	25011712	RH Curb Guard - Standard	1	5	951-001-007	Hex Nut 1/2-13	4
2	25011713	LH Curb Guard - Standard	1	6	25012722	RH Curb Guard With Wear Bar	1
3	950-003-051	Carriage Bolt 1/2-13 x 2 1/4 Gr. 5	4	7	25012723	LH Curb Guard With Wear Bar	1
4	952-001-004	Lock Washer 1/2 Inch	4				

SECTION 6

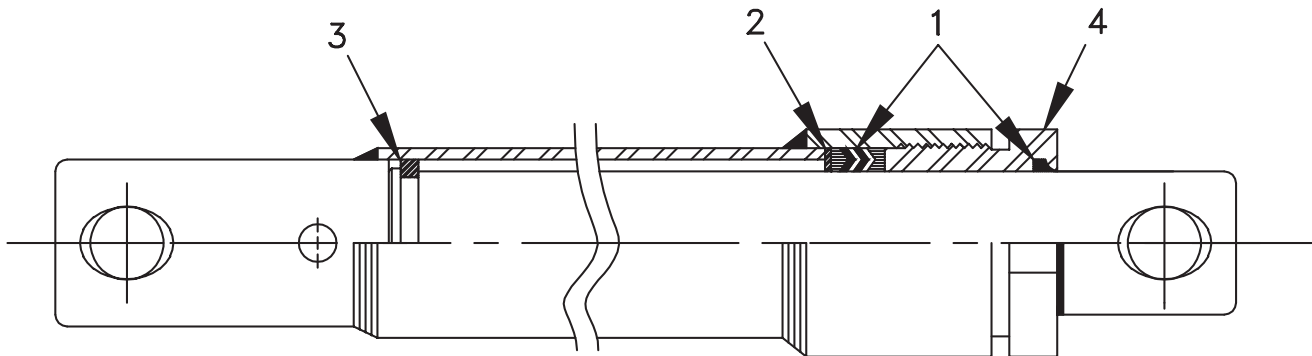
HYDRAULIC OVERVIEW



DWG. NO. 3460A

REF. NO.	PART NUMBER	DESCRIPTION	QTY.	REF. NO.	PART NUMBER	DESCRIPTION	QTY.
1	25014151	Power Unit KTI (See Sec. 6, p. 9)	1	4	957-010-005	Hydraulic Hose Assembly 1/4 x 32"	3
	25014034	Power Unit- SPX (See Sec. 6, p.10)	1	5	25011581	1 1/2 x 9 Cylinder (See Sec. 6, p. 8)	1
2	956-005-022	90° Adapter 9/16 ORB x 9/16 JIC	4	6	25010523	1 1/2 x 10 Cylinder (See Sec. 6, p. 8)	2
3	956-005-023	45° Adapter 9/16 ORB x 9/16 JIC	2				

HYDRAULIC CYLINDERS

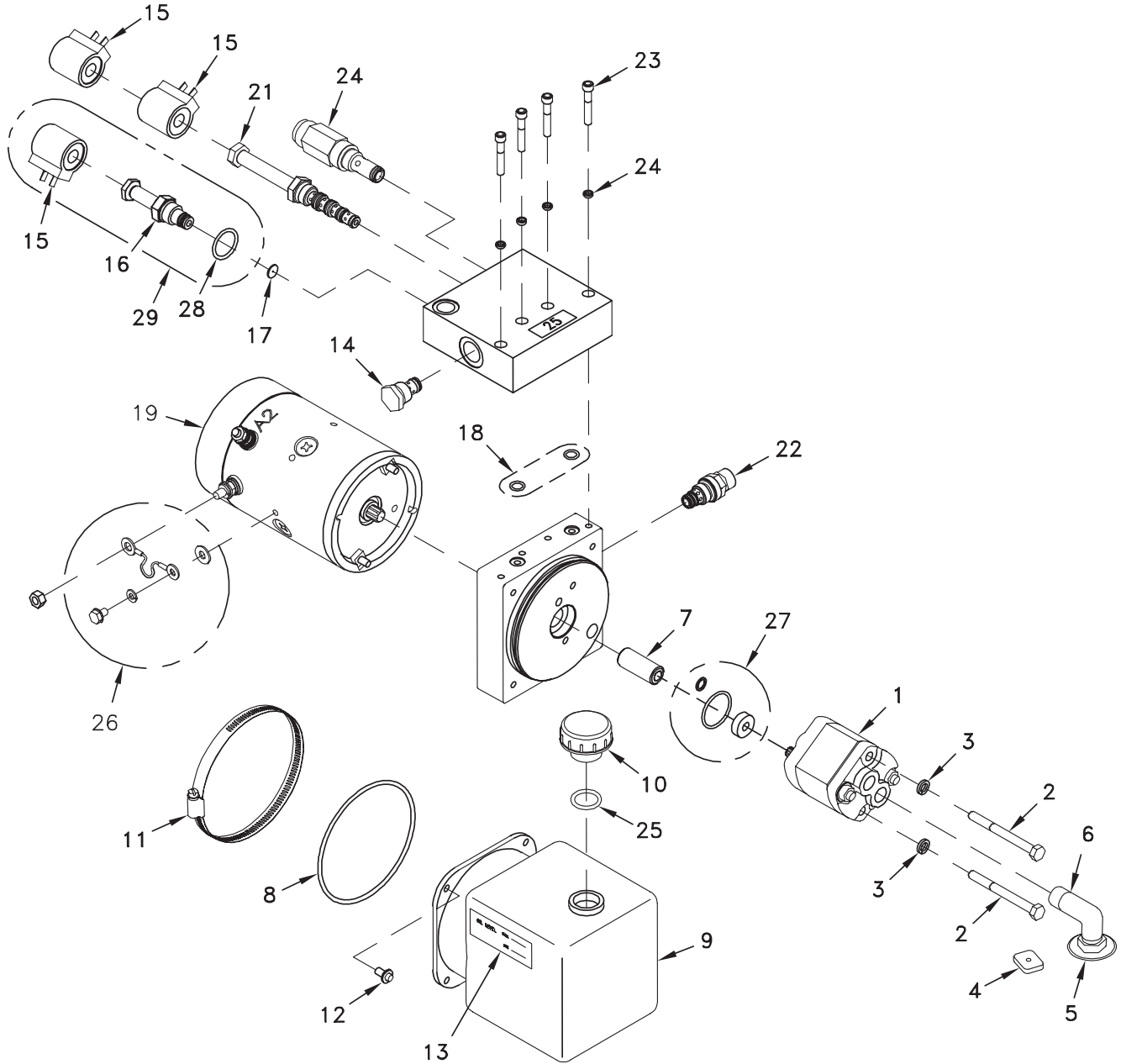


25010523 1 1/2 x 10 Cylinder
25011581 1 1/2 x 9 Cylinder

DWG. NO. 3706

REF. NO.	PART NUMBER	DESCRIPTION	QTY.	REF. NO.	PART NUMBER	DESCRIPTION	QTY.
1	25010464	Seal Kit	1	3	25010017	Guide Ring	1
2	25010016	Seat Ring	1	4	25010018	Packing Nut	1

POWER UNIT- KTI MODEL DC 45298 RA



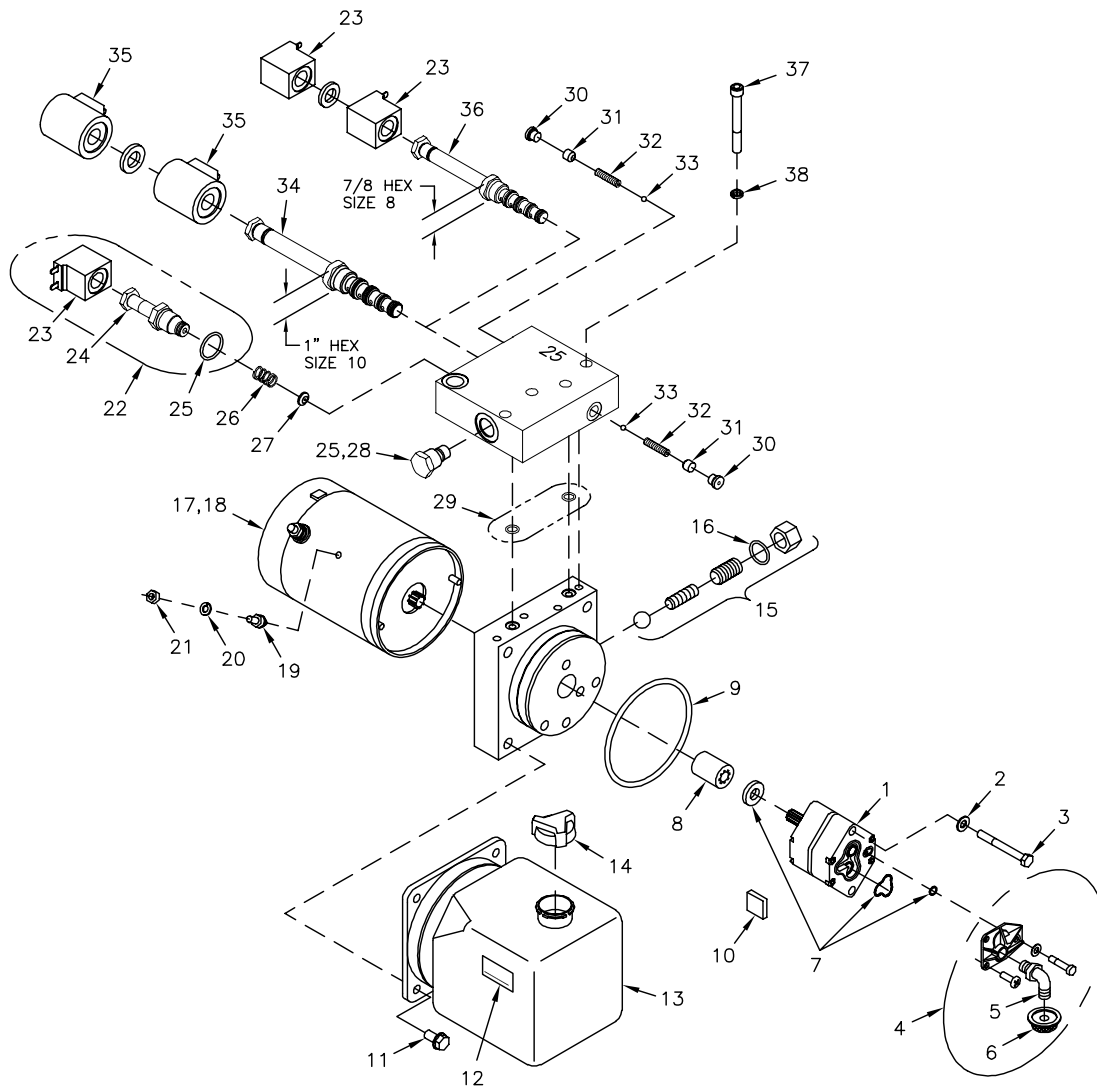
25014151 Power Unit KTI Model DC 45298 RA

DWG.NO. 7813A

REF. NO.	PART NUMBER	DESCRIPTION	QTY.	REF. NO.	PART NUMBER	DESCRIPTION	QTY.
1	25014192	Pump Assembly	1	16	25010544	Cartridge Valve	1
2	950-001-370	Hex Head Cap Screw 5/16-24 X 3 1/4 Gr. 5	2	17	25014120	Orifice Disc .062 Dia.	1
3	952-001-002	Lock Washer 5/16 Inch	2	18	25014188	O-Ring Kit	1
4	25010220	Plumbing Magnet	1	19	25014115	Motor 12VDC	1
5	25014130	Inlet Strainer	1	20	25014125	Relief Valve	1
6	25014129	3/8 NPT Elbow Aluminum	1	21	25014036	Cartridge Valve	1
7	25014131	Coupler	1	22	25014118	Relief Valve	1
8	25014128	O-Ring 113mm ID X 4mm CS	1	23	950-004-056	Socket Head Cap Screw 1/4-20 X 1 1/2	4
9	25014193	Reservoir	1	24	952-004-080	Lock Washer 1/4 X .363 OD	4
10	25014133	Breather Cap	1	25	62502240	Breather O-Ring	1
11	865-001-081	Hose Clamp 5 1/2 Inch	1	26	25014320	Ground Wire Kit	1
12	950-002-020	Hex Head Flanged Whiz Lock Bolt 1/4-20 X1/2	4	27	25014331	Pump Seal Kit	1
13	25014124	Oil Level Label	1	28	25010992	O-Ring Kit	1
14	25014121	Check Valve	1	29	25011654	Release Valve Kit	1
15	25014119	Solenoid Coil 10V	3				

S
C
E
M
E
S
6

POWER UNITS- SPX MODELS DB-7929-2, DB-20142423-2



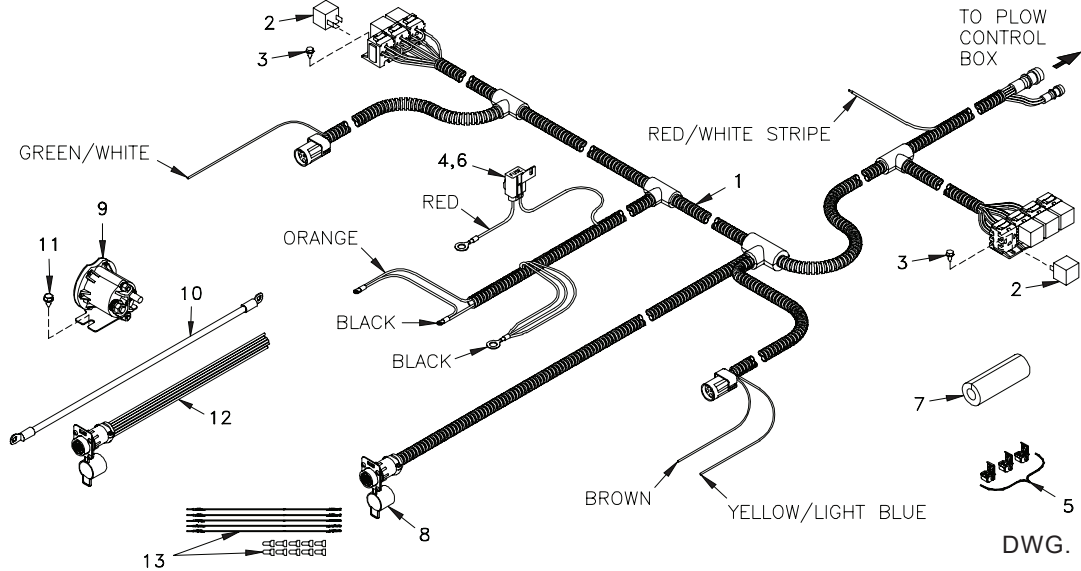
25012649 Power Unit SPX Model DB-7929-2

25014034 Power Unit SPX Model DB-20142423-2

DWG.NO. 7737

REF. NO.	PART NUMBER	DESCRIPTION	QTY.	REF. NO.	PART NUMBER	DESCRIPTION	QTY.
1	25011706	Pump Assembly	1	20	952-001-001	Lock Washer 1/4 Inch	1
2	033-12007	SAE Flat Washer, 5/16 Inch	2	21	951-001-003	Hex Nut 1/4-20	1
3	950-001-327	Hex Head Cap Screw 5/16-24 x 3 Gr. 8	2	22	25011654	Release Valve Kit, Double Spade Coil	1
4	25010332	Inlet Plumbing Kit	1	23	25011667	Solenoid Coil 10V DC-Size 8	3
5	25010244	Plumbing Elbow	1	24	25010544	Cartridge Release Valve	1
6	25010221	Filter	1	25	25010992	O-Ring Kit	1
7	25010334	Pump O-Ring Kit	1	26	25012674	Spring	1
8	25010214	Coupling	1	27	25012677	Return Orifice	1
9	25010236	O-Ring	1	28	25010746	Check Valve	1
10	25010220	Plumbing Magnet	1	29	25013881	Manifold O-Ring Kit	1
11	950-004-071	Machine Screw #12-24 x 1/2 - Hex Washer Head	4	30	25012686	ORB Plug	2
12	25010436	Decal - Fill Line	1	31	25012685	Set Screw 3/8-24 x .38 Selflock	2
13	25010240	Plastic Tank	1	32	25012684	Spring	2
14	25010217	Plastic Breather	1	33	25012683	Ball .25 Dia. Steel	2
15	25010330	Adjustable Relief Valve Kit	1	34	25012688	Directional Valve-Size 10 (1" Hex)	1
16	25010518	Adjustable Relief Valve O-Ring	1	35	25012687	Solenoid Coil 10V DC-Size 10	2
17	25010230	Motor 12V DC	1	36	25014036	Directional Valve - Size 8 (7/8" Hex)	1
18	25010337	Motor Brush Kit	1	37	952-004-115	Socket Head Cap Screw W/Thread Lock 1/4-20 x 1 3/4	4
19	25012673	Ground Stud	1	38	952-004-080	Lock Washer 1/4 x .363 O.D.	4

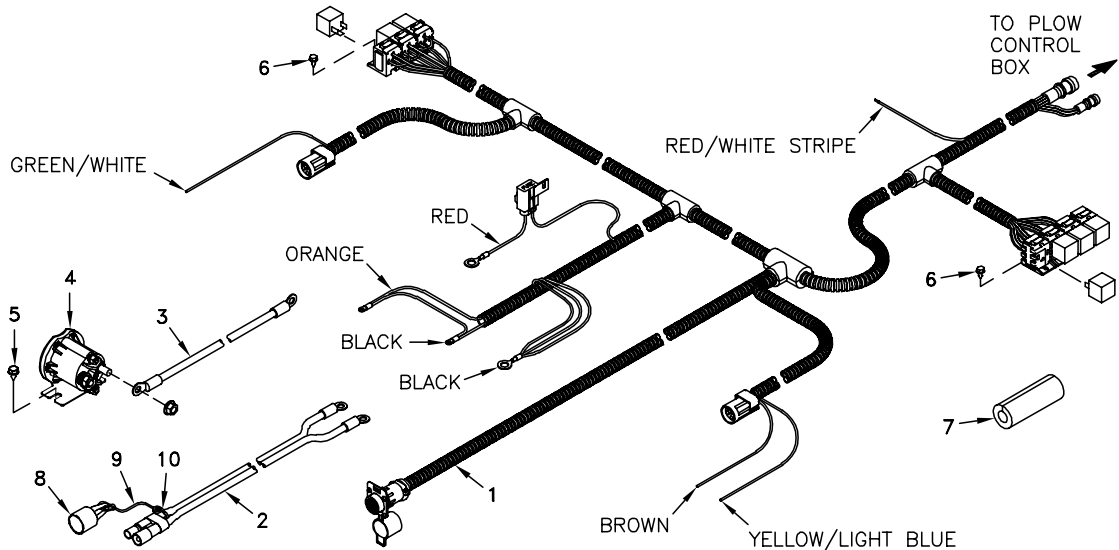
UNDERHOOD WIRING HARNESS



DWG. NO. 6749

REF. NO.	PART NUMBER	DESCRIPTION	QTY.	REF. NO.	PART NUMBER	DESCRIPTION	QTY.
1	38813097	Underhood Harness With 16 Pin CPC (Includes Relays And Fuse)	1	7	39107001	Foam Grommet 4" Long	1
2	38350010	Headlight/Accessory Relay	7	8	36716043	Dust Cap	1
3	031-30078	S-Tap Screw #8-18 x 1/2 Slotted Hex Head	4	9	38350015	Motor Solenoid Sealed	1
4	39207031	10 Amp Fuse	1	10	38813012	Red Solenoid Cable 4 Ga. 24 Inch	1
5	38610104	Sealed Quick Connect	3	11	950-005-004	S-Tap Screw 1/4-20 x 1/2 Hex Washer Head	2
6	38400012	Cover, Fuse Holder	1	12	38813106	Repair Pigtail, AMP CPC Grill	A/R
				13	38813108	Repair Kit, AMP CPC (5 Wires)	A/R

UNDERHOOD WIRING REMOUNT KIT W/CPC

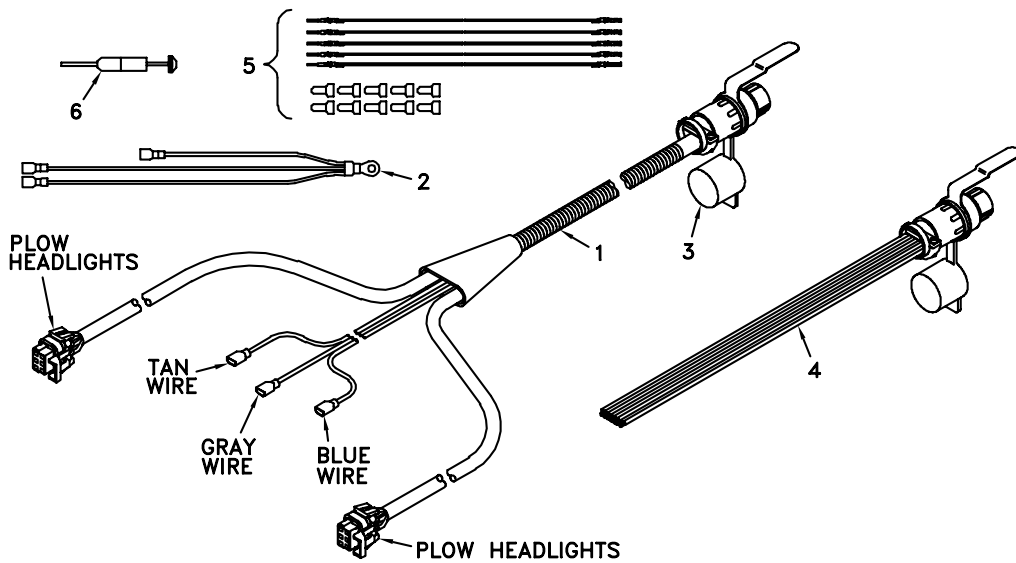


DWG. NO. 6993

REF. NO.	PART NUMBER	DESCRIPTION	QTY.	REF. NO.	PART NUMBER	DESCRIPTION	QTY.
1	38813097	Underhood Harness W/16 Pin CPC	1	6	031-30078	S-Tap Screw #8-18 x 1/2 Slotted Hex Head	4
2	38813066	Cable Battery Power 9 Ft	1	7	39107001	Foam Grommet	1
3	38813012	Cable, Solenoid 24"	1	8	36716002	Dust Cap	1
4	38350015	Motor Solenoid	1	9	36716025	Nylon Lanyard 8"	1
5	950-005-004	S-Tap Screw 1/4-20 x 1/2 Hex Washer Head	2	10	367-001-014	Cable Tie 8"	1

SECTION 6

PLOW WIRING HARNESS- LED HEADLAMPS

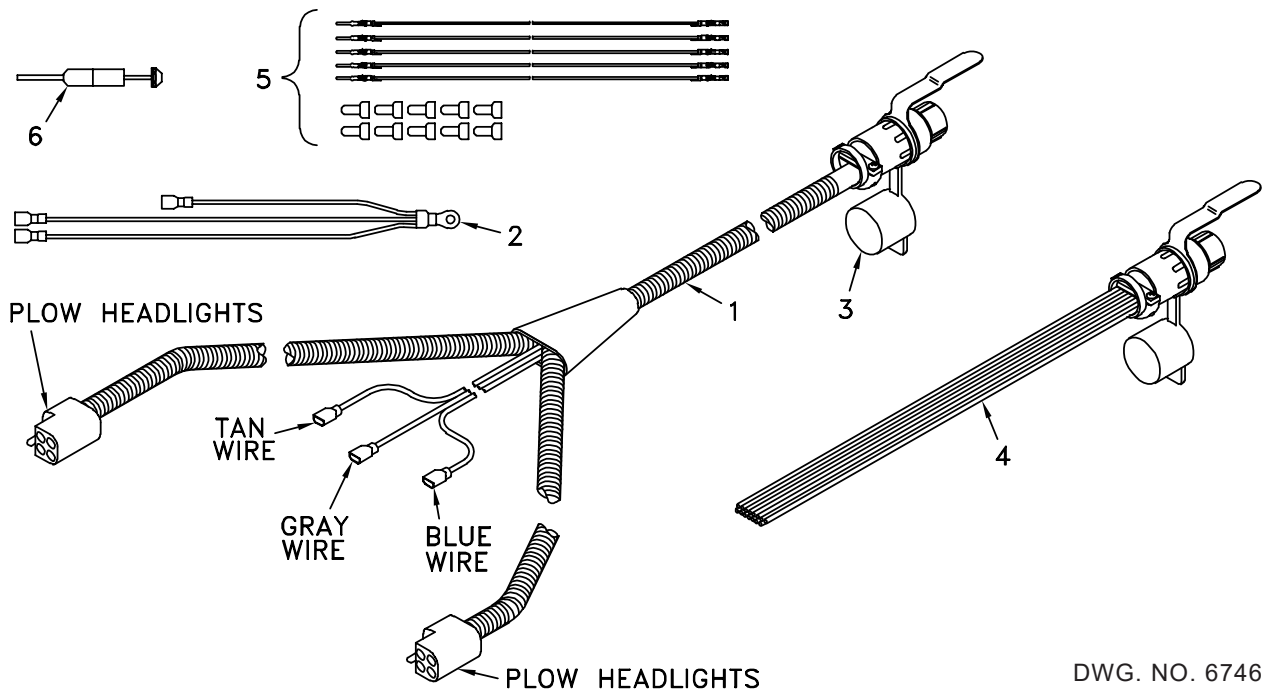


DWG. NO. 7814

REF. NO.	PART NUMBER	DESCRIPTION	QTY.	REF. NO.	PART NUMBER	DESCRIPTION	QTY.
1	38813156	4 Function External Harness W/ CPC Connector	1	4	38813107	Repair Pigtail, AMP CPC Plow	A/R
2	38813094	Ground Harness- 1/4" Ring	1	5	38813108	Repair Kit, AMP CPC (5 Wires)	A/R
	38812160	Ground Harness- 5/16" Ring	1	6	38640000	Pin/Socket Extraction Tool	1
3	36716042	Dust Cap	1				

6 STEPS

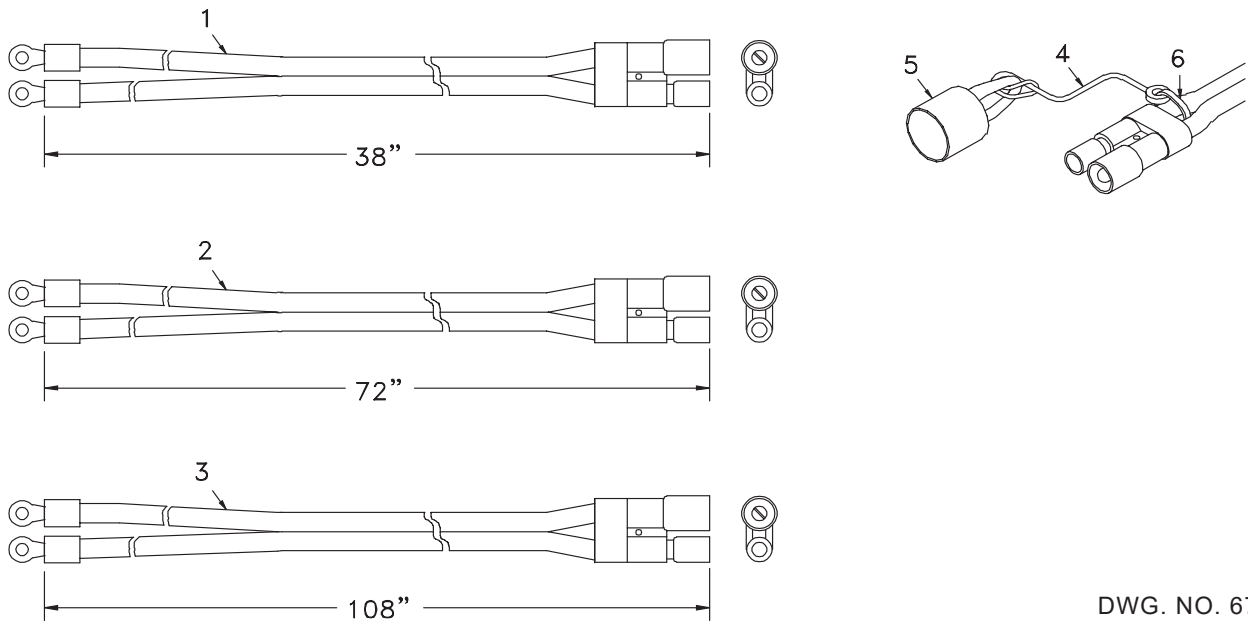
PLOW WIRING HARNESS- COMPOSITE HEADLAMPS



DWG. NO. 6746A

REF. NO.	PART NUMBER	DESCRIPTION	QTY.	REF. NO.	PART NUMBER	DESCRIPTION	QTY.
1	38813099	4 Function External Harness W/CPC Connector	1	4	38813107	Repair Pigtail, AMP CPC Plow	A/R
2	38813094	Ground Harness 1/4" Ring	1	5	38813108	Repair Kit, AMP CPC (5 Wires)	A/R
	38813160	Ground Harness 5/16" Ring	1	6	38640000	Pin/ Socket Extraction Tool	1
3	36716042	Dust Cap	1				

POWER CABLES AND DUST CAPS

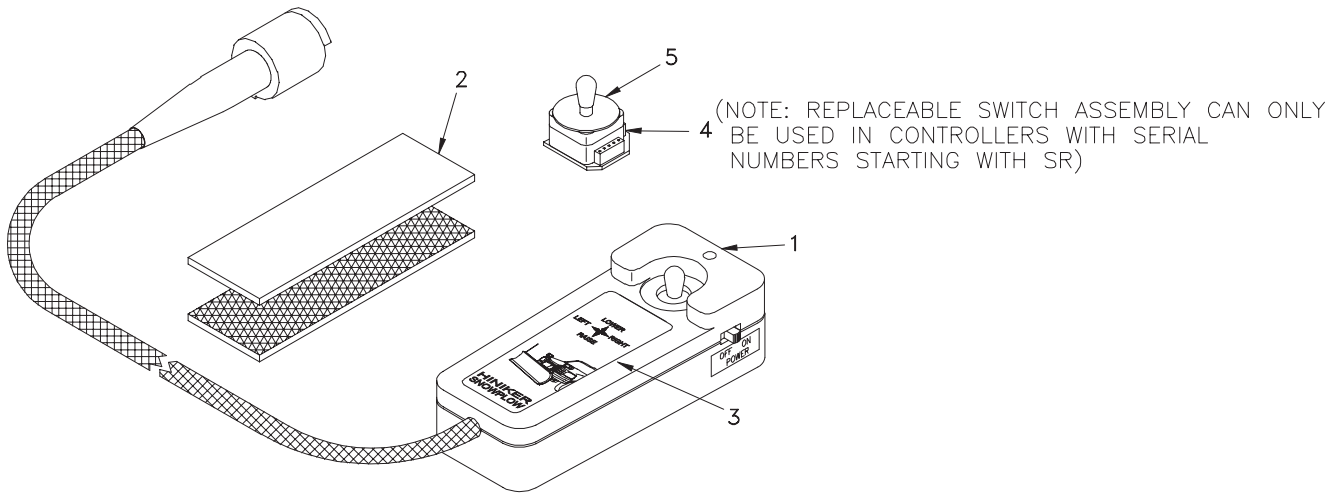


DWG. NO. 6744

REF. NO.	PART NUMBER	DESCRIPTION	QTY.	REF. NO.	PART NUMBER	DESCRIPTION	QTY.
1	38812008	Battery Power Cable - Snow Plow	1	4	36716025	Nylon Lanyard 8"	A/R
2	38813007	Battery Power Cable - Truck 6 Ft.	1	5	36716002	Large Dust Cap	A/R
3	38813066	Battery Power Cable - Truck 9 Ft.	1	6	367-001-014	Cable Tie 8"	A/R

JOYSTICK CONTROLLER

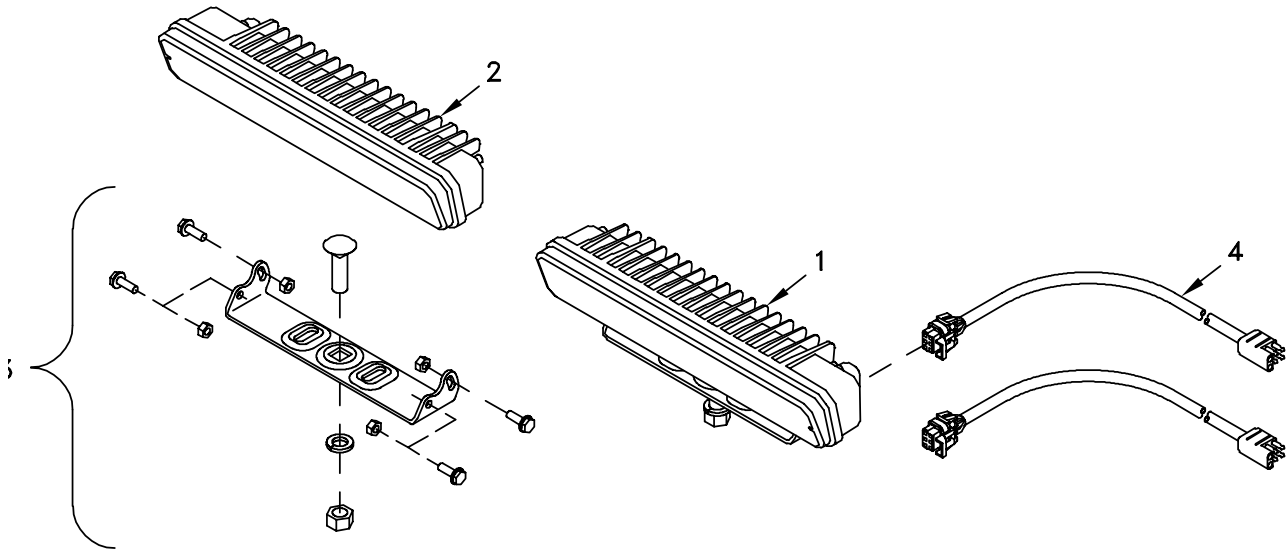
SECTION 6



DWG. NO. 5925

REF. NO.	PART NUMBER	DESCRIPTION	QTY.	REF. NO.	PART NUMBER	DESCRIPTION	QTY.
1	36014020	Joystick Straight W/Replaceable Switch	1	4	36014019	Replaceable Switch Assembly	1
2	39108005	Hook & Loop Assembly	1	5	36716033	Gasket	1
3	39302141	Decal, Straight Plow Joystick, 2 Sided	1				

LED HEADLIGHTS

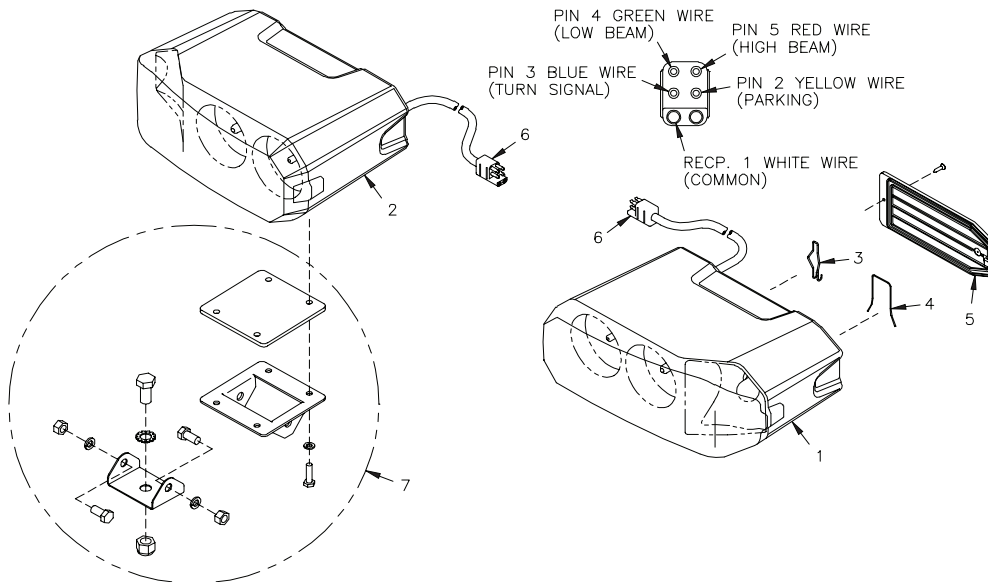


25014159 LED Headlight Pair (Items 1, 2, 3)

DWG. NO. 7810

REF. NO.	PART NUMBER	DESCRIPTION	QTY.	REF. NO.	PART NUMBER	DESCRIPTION	QTY.
1	25014164	LH Headlight	1	3	25014166	Headlamp Mounting Hardware for 1 Light	2
2	25014165	RH Headlight	1	4	38813159	Adapter Harness - LED Upfit	A/R

COMPOSITE HEADLAMPS

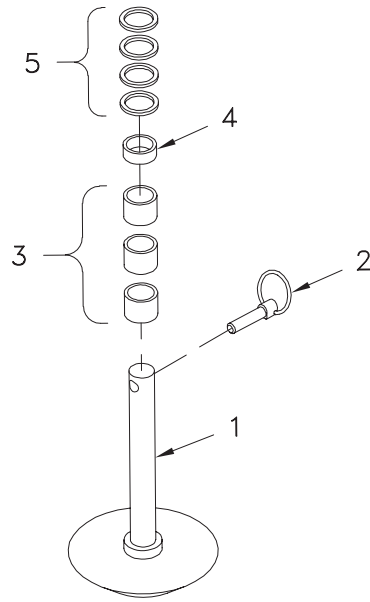


DWG. NO. 6899

REF. NO.	PART NUMBER	DESCRIPTION	QTY.	REF. NO.	PART NUMBER	DESCRIPTION	QTY.
1	25013250	LH Light Assembly	1	7	25013249	Hardware Kit-Upper & Lower (For 2 Lights)	1
2	25013251	RH Light Assembly	1		N/A	High Beam Headlight Bulb-One #H1 12V, 55W	1
3	25012416	Spring Clip, High Beam	1		N/A	Low Beam Headlight Bulb-One #H7 12V, 55W	1
4	25012415	Spring Clip, Low Beam	1		N/A	Turn Signal/Parking Bulb-One #1157 Heavy Duty	1
5	25013247	Back Panel	1			Double Contact 32/3 C.P.	
6	25013248	Wire Harness	1				

6 STEPS

SKID SHOE ASSEMBLY



25011487 Skid Assembly

DWG. NO. 5708

REF. NO.	PART NUMBER	DESCRIPTION	QTY.	REF. NO.	PART NUMBER	DESCRIPTION	QTY.
1	25011478	Cast Iron Skid Shoe	1	4	25010048	1/2" Skid Spacer	1
2	25010319	Klik Pin	1	5	952-004-071	Machinery Bushing	4
3	25010049	1" Skid Spacer	3				

