

SECTION 5

10 FT V-PLOW

MODEL: 9610

PLOW COMPONENTS

- PAGE 2 MOLDBOARD ASSEMBLY**
- PAGE 4 PUSH FRAME ASSEMBLY**
- PAGE 5 LIFT FRAME ASSEMBLY**
- PAGE 6 POWER UNIT COVER ASSEMBLY**
- CURB GUARD KIT**

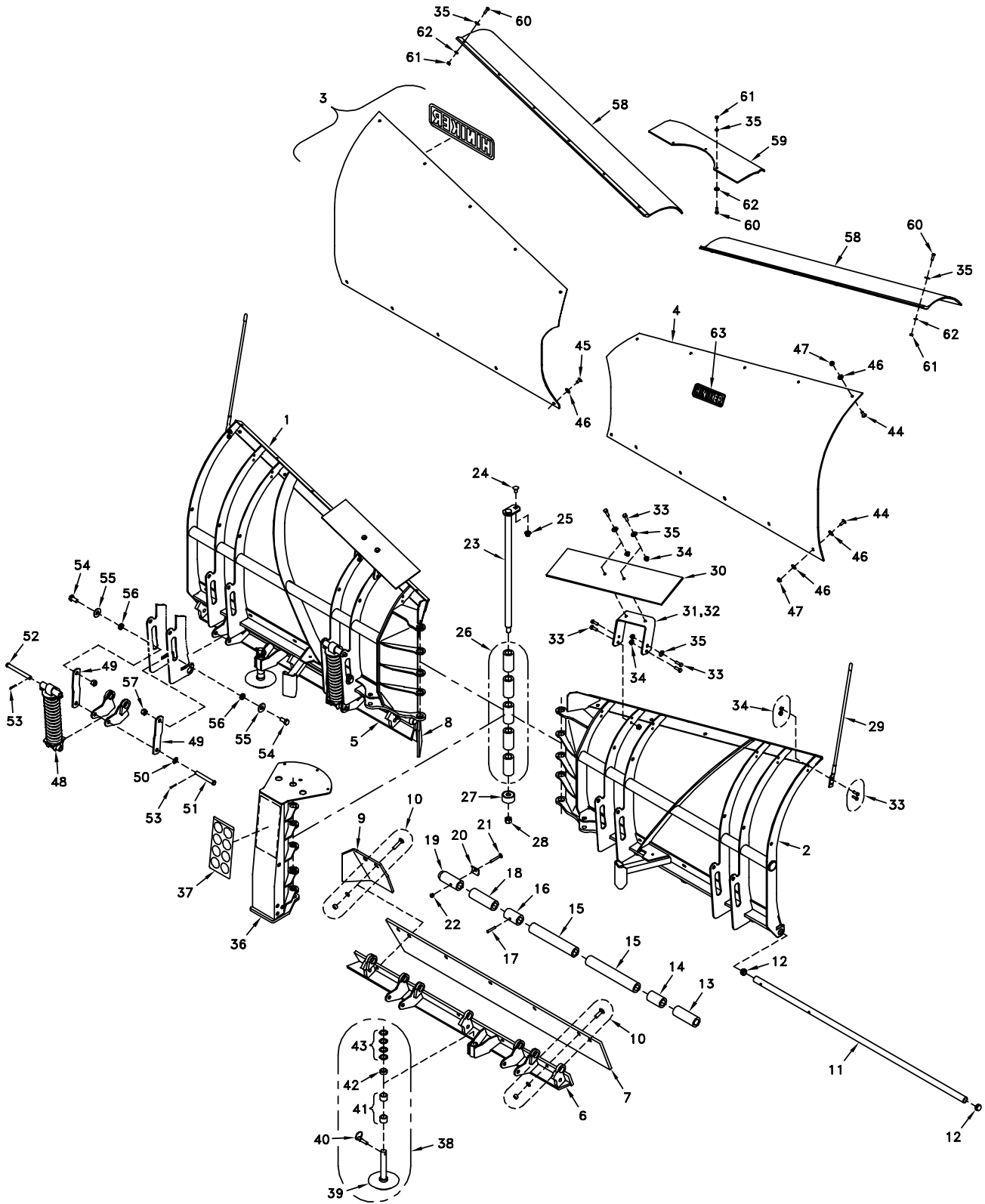
HYDRAULIC COMPONENTS

- PAGE 7 HYDRAULIC OVERVIEW**
- 2 X 9 LIFT CYLINDER**
- PAGE 8 POWER UNIT - KIT MODEL DC-45274RA**
- PAGE 9 POWER UNIT - SPX MODEL DB-5245-1**
- PAGE 10 2 1/4 X 10 ANGLE CYLINDER**

ELECTRIC COMPONENTS

- PAGE 10 JOYSTICK CONTROLLER**
- PAGE 11 MOTOR SOLENOID**
- PLOW WIRING HARNESS - LED HEADLAMPS**
- PAGE 12 UNDERHOOD WIRING HARNESS**
- UNDERHOOD WIRING REMOUNT KIT W/CPC**
- PAGE 13 POWER CABLES AND DUST CAPS**
- LED HEADLAMP KIT**

MOLDBOARD ASSEMBLY
MODEL 9610



5
S
E
C

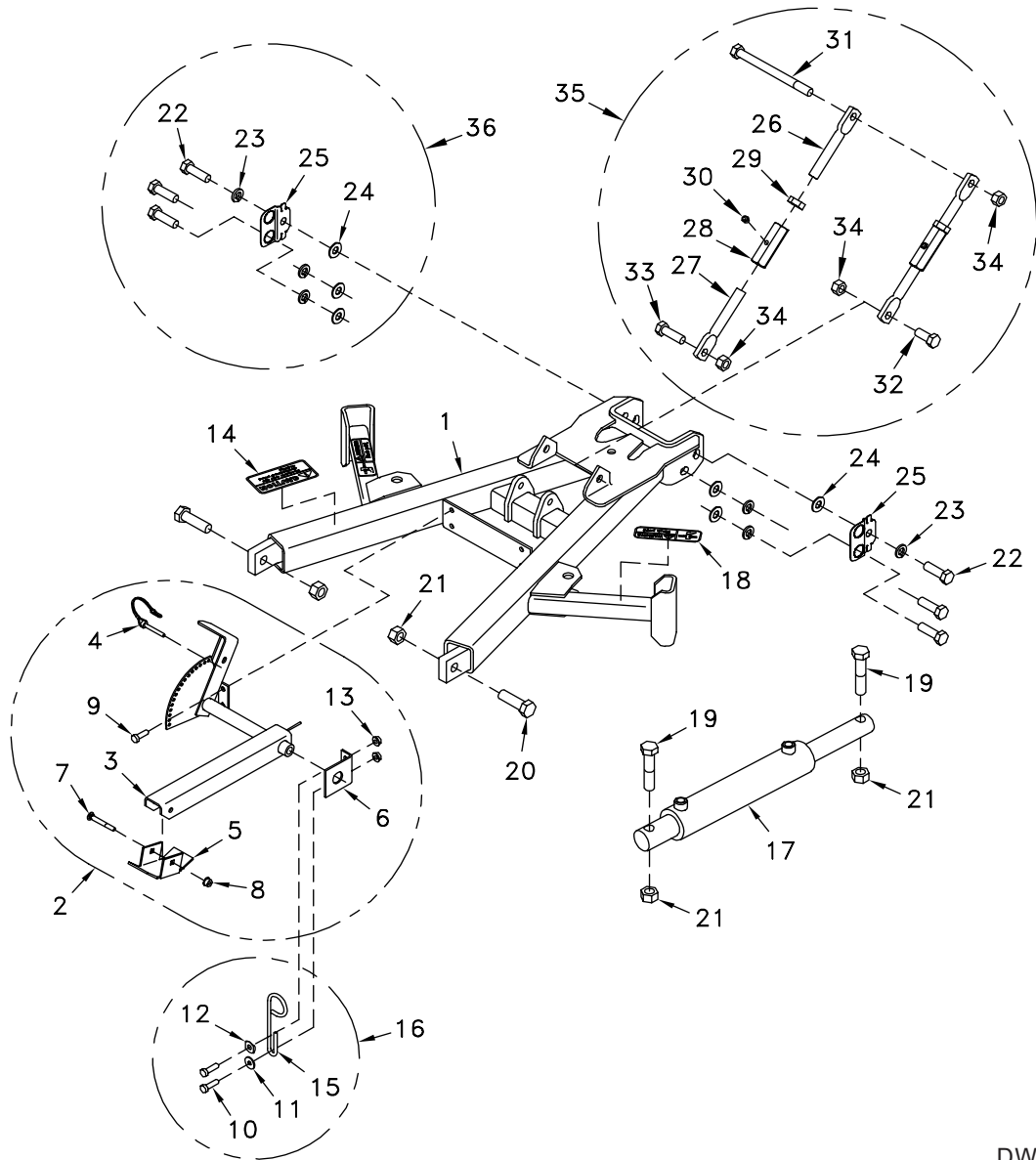
10 FT. V-PLOW

REF. NO.	PART NUMBER	DESCRIPTION	QTY.	REF. NO.	PART NUMBER	DESCRIPTION	QTY.
1	25014225	LH Wing Frame Weldment	1	33	950-001-110	Hex Head Cap Screw 5/16-18 x 1" Gr. 5	16
2	25014226	RH WIng Frame Weldment	1	34	951-005-036	Lock Nut 5/16-18 MAC Lock	16
3	25014211	Moldboard Blank/Decal Assembly	1	35	952-002-002	Flat Washer, 5/16 Inch	21
4	25014264	Moldboard Blank	1	36	25014263	Center Mast Weldment	1
5	25014227	LH Trip Edge Weldment	1	37	25013502	Decal-Removal	1
6	25014228	RH Trip Edge Weldment	1	38	25014210	Skid Assembly - 10 Ft. Plow	2
7	25014158	Cutting Edge 1/2 x 8	2	39	25014276	Cast Skid Shoe - 8" Tall	2
8	25014270	LH Snow Catcher	1	40	25010319	Klik Pin	2
9	25014269	RH Snow Catcher	1	41	25010049	1" Skid Spacer	4
10	25014212	Cutting Edge Bolt Kit	1	42	25010048	1/2" Skid Spacer	2
11	25014267	Trip Pin	2	43	952-004-071	Machinery Bushing	8
12	25012375	End Cap	4	44	700-11704	Machine Screw 3/8-16 x 1 Slotted Truss Head	20
13	25014271	Poly Bushing 5 7/16 Long	2	45	950-004-108	Machine Screw 3/8-15 x 3/4 Slotted Truss Head	2
14	25011338	Poly Bushing 3 3/8 Long	2	46	952-002-013	Flat Washer 3/8 Stainless Steel	32
15	25014272	Poly Bushing 11 5/8 Long	4	47	951-005-003	Lock Nut 3/8-16 MAC Lock	20
16	25011341	Drilled Bushing 3 3/8 Long	2	48	25011373	Spring Assembly	4
17	30009024	Slotted Spring Pin 3/8 x 2	2	49	25012306	Strap	8
18	25014273	Poly Bushing 6 Long	2	50	952-004-040	Machinery Bushing 21/32 x 1 1/8 x .048	4
19	25014274	Poly Tapered Bushing 5 1/8 Long	2	51	953-002-049	Clevis Pin 5/8 x 4 3/4	4
20	25014275	Stop Plate	2	52	953-002-045	Clevis Pin 5/8 x 6	4
21	030-16075	Carriage Bolt 3/8-16 x 2 3/4 Gr. 5	2	53	035-42033	Cotter Pin 5/32 x 1 1/4	8
22	951-003-002	Lock Nut 3/8-16 Nylon Insert	2	54	031-06302	Hex Head Cap Screw 5/8-11 x 1 1/4 Gr. 5	8
23	25014265	Hinge Pin Weldment	1	55	952-002-007	Flat Washer 5/8 Inch	8
24	030-16130	Carriage Bolt 1/2-13 x 1 Gr. 5	1	56	25012305	Bushing	8
25	951-005-055	Lock Nut 1/2-13 MAC Lock	1	57	951-005-044	Lock Nut 5/8-11, 2-Way	8
26	25014266	Poly Bushing 3 7/8 Long	5	58	25014280	Snow Deflector Extrusion	2
27	25012303	Washer Weldment	1	59	25014281	Center Snow Deflector	1
28	951-005-037	Lock Nut 3/4-10 2-Way	1	60	950-001-200	Hex Head Cap Screw 5/16-18 x 1 1/4 Gr. 5	15
29	25010118	Blade Guide	2	61	951-001-004	Hex Nut 5/16-18	15
30	25014277	Air Deflector	2	62	952-001-002	Lock Washer, 5/16 Inch	15
31	25014278	RH Bracket	1	63	25011684	Decal-Hiniker	1
32	25014279	LH Bracket	1				

5

10 FT. V-PLOW

PUSH FRAME ASSEMBLY

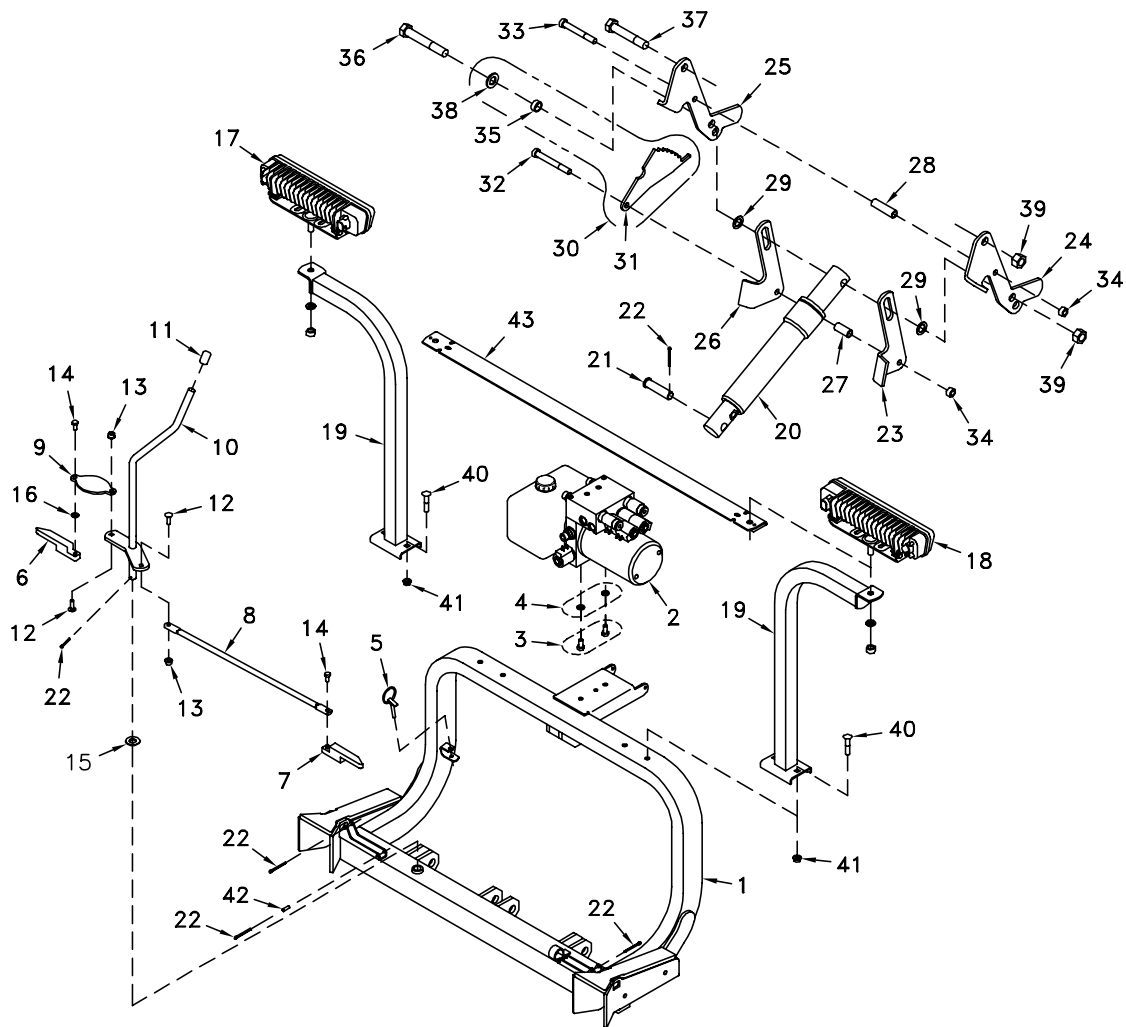


DWG. NO. 7821A

REF. NO.	PART NUMBER	DESCRIPTION	QTY.	REF. NO.	PART NUMBER	DESCRIPTION	QTY.
1	25014209	Push Frame/Decal Assembly	1	19	950-001-069	Hex Head Cap Screw 3/4-10 X 3 1/4 Gr. 5	4
2	25012293	Park Stand Kit	1	20	950-001-030	Hex Head Cap Screw 3/4-10 X 2 1/2 Gr. 5	2
3	25013348	Park Stand Weldment	1	21	951-005-037	Lock Nut 3/4-10, 2-Way	6
4	25010797	Tab Lock Pin	1	22	950-001-023	Hex Head Cap Screw 5/8-11 X 2 Gr. 5	6
5	25010801	Stand Foot	1	23	952-001-005	Lock Washer 5/8 Inch	6
6	25010798	Bracket	1	24	952-004-070	SAE Flat Washer 5/8 Inch, Hardened	6
7	950-003-074	Carriage Bolt 5/16-18 X 2 1/2 Gr. 5	1	25	25014041	Retaining Tab	2
8	951-005-036	Lock Nut 5/16-18 Mac	1	26	25014059	I-Bolt RH Thread	2
9	950-001-089	Hex Head Cap Screw 3/8-16 X 3/4 Gr. 5	2	27	25014058	I-Bolt LH Thread	2
10	950-001-106	Hex Head Cap Screw 3/8-16 X 1 1/4 Gr. 5	2	28	25014053	Sleeve Nut	2
11	952-002-003	Flat Washer, 3/8 Inch	1	29	951-005-052	Jam Nut 3/4-10	2
12	25011074	Flanged Washer, 3/8 Inch	1	30	955-001-001	Grease Fitting 1/8-27 NPT	2
13	951-005-003	Lock Nut 3/8-16 Mac	4	31	950-001-165	Hex Head Cap Screw 5/8-11 X 7 1/2 Gr. 5	1
14	25010697	Caution Decal	1	32	950-001-087	Hex Head Cap Screw 5/8-11 X 1 1/2 Gr. 5	1
15	25011075	Hose Loop	1	33	950-001-023	Hex Head Cap Screw 5/8-11 X 2 Gr. 5	1
16	25011076	Hose Loop Kit	1	34	951-005-044	Lock Nut 5/8-11 2-Way	3
17	25011080	2 1/4 X 10 Cylinder (See Sec. 5, P.10)	2	35	25014056	Adjustable Brace Kit 12" (Includes 2 Braces)	1
18	25012271	Warning Decal	2	36	25014040	Bolt Retainer Kit (Includes 2 Tabs)	1

SEC 5

LIFT FRAME ASSEMBLY



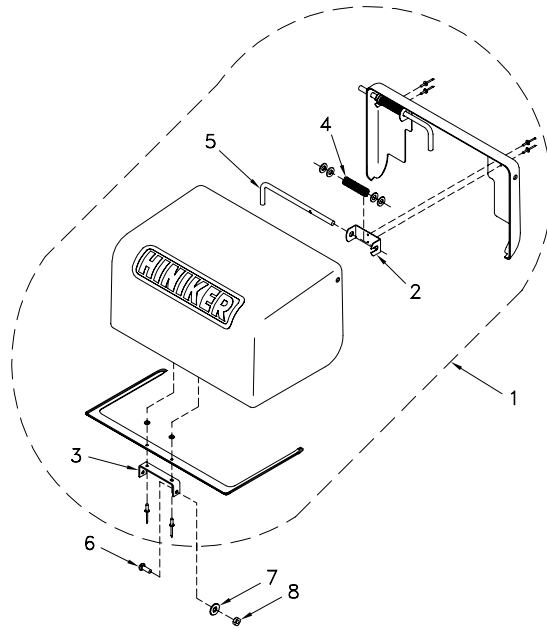
DWG. NO. 7822

SEC 5

REF. NO.	PART NUMBER	DESCRIPTION	QTY.	REF. NO.	PART NUMBER	DESCRIPTION	QTY.
1	25013338	Frame Weldment	1	22	035-42033	Cotter Pin 5/32 x 1 1/4	5
2	25014108	Power Unit - KTI (See Sec. 5, P. 8)	1	23	25012396	RH Lower Link	1
	25012648	Power Unit - SPX (See Sec. 5, P. 9)	1	24	25012394	RH Upper Link	1
3	950-001-089	Hex Head Cap Screw 3/8-16 x 3/4 Gr. 5	2	25	25012393	LH Upper Link	1
4	952-001-007	Lock Washer 3/8 Inch	2	26	25012395	LH Lower Link	1
5	703-00209	Klik Pin	1	27	25010114	Lower Link Spacer	1
6	25012959	LH Slider	1	28	25010211	Upper Link Spacer	1
7	25012960	RH Slider	1	29	952-004-003	Machinery Bushing 25/32 x 1 1/4 x .075	2
8	25012961	Long Tie Rod	1	30	25011986	Stop Plate Kit (Includes Lock Nut #39)	1
9	25013157	Short Latch Link	1	31	25011984	Stop Plate	1
10	25012962	Latch Lever Weldment	1	32	950-001-301	Hex Head Cap Screw 1/2-13 x 4 1/4 Gr. 5	1
11	25011230	Vinyl Cap	1	33	950-001-124	Hex Head Cap Screw 1/2-13 x 4 Gr. 5	1
12	030-16042	Carriage Bolt 5/16-18 x 1" Gr. 5	2	34	10304	Lock Nut 1/2-13, 2-Way	2
13	951-005-036	Lock Nut 5/16-18 MAC Lock	2	35	25011885	Bushing	1
14	950-011-042	Hex Head Cap Screw 5/16-18 x 3/4, Nylon Dri-Lock	2	36	031-06365	Hex Head Cap Screw 3/4-10 x 5 Gr. 5	1
15	952-003-003	SAE Flat Washer 5/8 Inch	1	37	950-001-310	Hex Head Cap Screw 3/4-10 x 4 1/4 Gr. 5, 1 1/4" Thd Lgth	1
16	033-12007	SAE Flat Washer 5/16 Inch	1	38	033-12013	SAE Flat Washer 3/4 Inch	1
17	25014164	LH LED Headlight (See Sec. 5, P. 13)	1	39	951-005-037	Lock Nut 3/4-10, 2-Way	2
18	25014165	RH LED Headlight (See Sec. 5, P. 13)	1	40	950-003-070	Carriage Bolt 3/8-16 x 2 Gr. 5	4
19	25014222	Light Bracket Weldment	2	41	951-005-003	Lock Nut 3/8-16 MAC Lock	4
20	25014157	2 x 9 Cylinder (See Sec. 5, P. 7)	1	42	30008816	Slotted Spring Pin 1/4 x 3/4	1
21	953-002-032	Clevis Pin 3/4 x 3	1	43	25014217	Headlight Bracket Brace	1

10 FT. V-PLOW

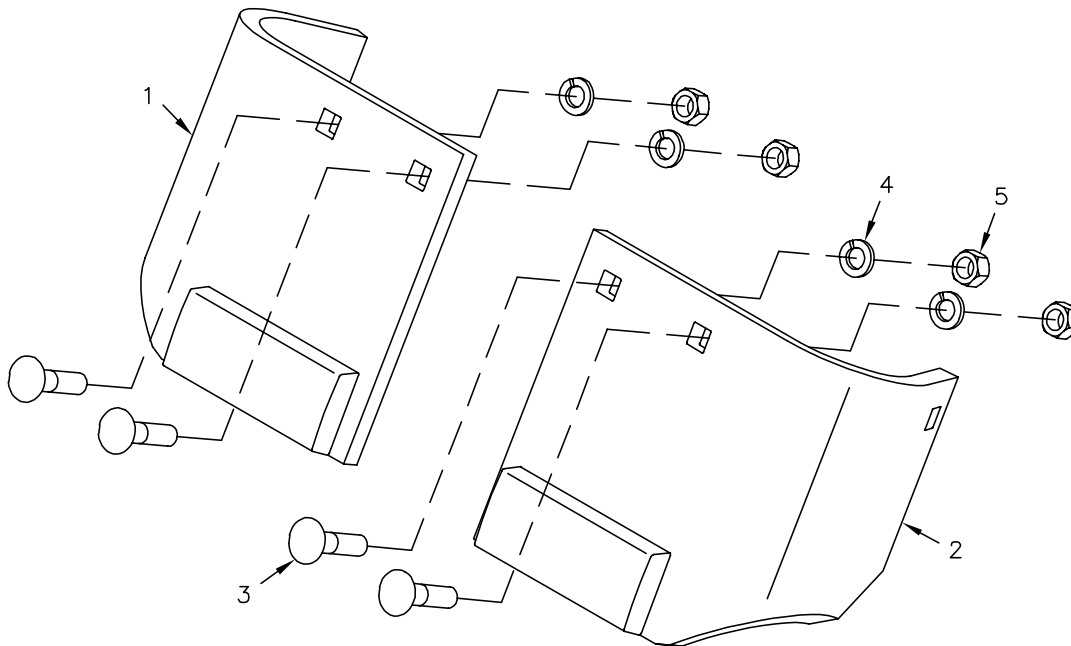
POWER UNIT COVER ASSEMBLY



DWG. NO. 5559

REF. NO.	PART NUMBER	DESCRIPTION	QTY.	REF. NO.	PART NUMBER	DESCRIPTION	QTY.
1	25011070	Cover Assembly (Includes Items 2-5)	1	5	25011071	Rod	2
2	25011073	Clevis	2	6	031-10657	Machine Screw 1/4-20 x 3/4 Slotted Round Head	2
3	25011072	Clevis	1	7	952-002-011	Flat Washer 1/4 Inch	2
4	25010717	Compression Spring	2	8	060954	Lock Nut 1/4-20 Nylon Insert	2

CURB GUARD KIT

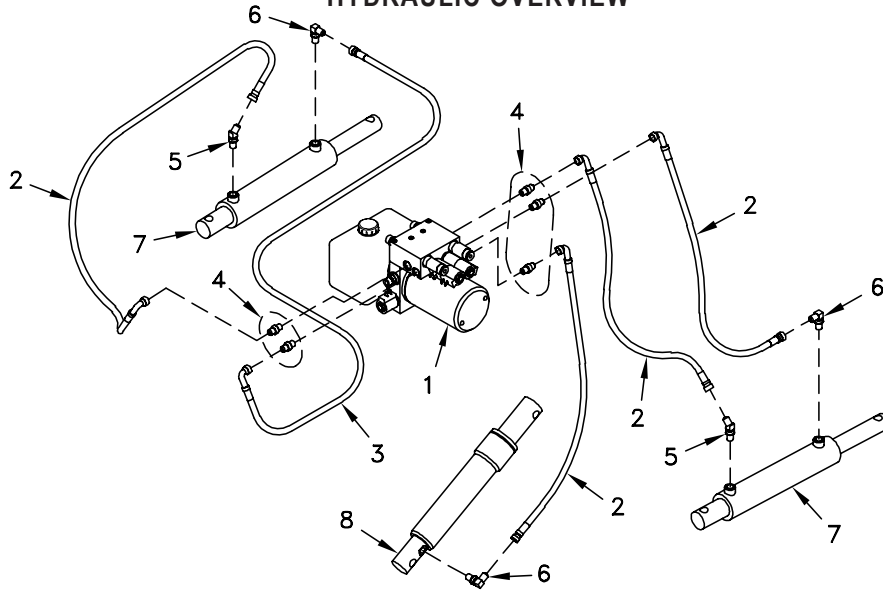


25012488 Curb Guard Kit

DWG. NO. 6136

REF. NO.	PART NUMBER	DESCRIPTION	QTY.	REF. NO.	PART NUMBER	DESCRIPTION	QTY.
1	25012724	RH Curb Guard	1	4	952-001-004	Lock Washer 1/2 Inch	4
2	25012725	LH Curb Guard	1	5	951-001-007	Hex Nut 1/2-13	4
3	950-003-025	Carriage Bolt 1/2-13 x 2 Gr. 5	4				

HYDRAULIC OVERVIEW

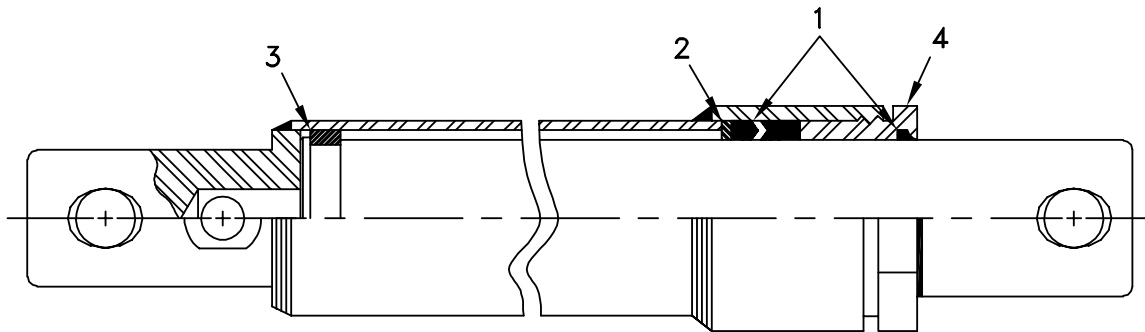


DWG. NO. 7823

REF. NO.	PART NUMBER	DESCRIPTION	QTY.	REF. NO.	PART NUMBER	DESCRIPTION	QTY.
1	25014108	Power Unit - KT1 (See Sec. 5, P. 8)	1	5	956-005-023	45° Adapter 9/16 ORB x 9/16 JIC	2
	25012648	Power Unit - SPX (See Sec. 5, P. 9)	1	6	956-005-022	90° Adapter 9/16 ORB x 9/16 JIC	3
2	957-021-002	Hydraulic Hose 1/4 x 33	4	7	25011080	2 1/4 x 10 Double-Acting Cylinder (See Sec. 5, Pg. 10)	2
3	957-021-001	Hydraulic Hose 1/4 x 54	1	8	25014157	2 x 9 Cylinder (See Sec. 5, P. 7)	1
4	203-01024	Straight Adapter 9/16 ORB x 9/16 JIC	5				

SEC 5

2 X 9 LIFT CYLINDER



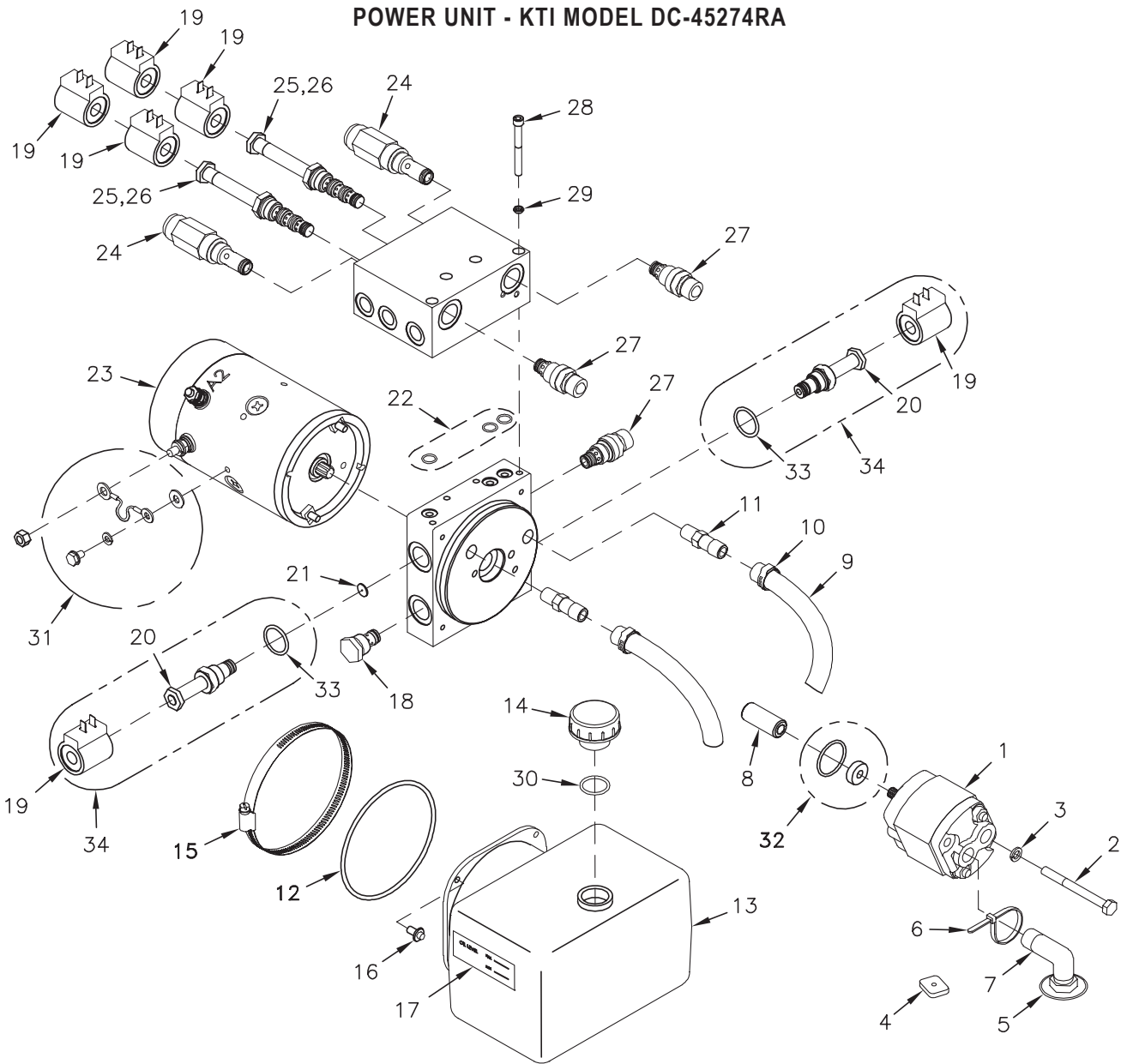
25014157 2 x 9 Cylinder

DWG. NO. 7824

REF. NO.	PART NUMBER	DESCRIPTION	QTY.	REF. NO.	PART NUMBER	DESCRIPTION	QTY.
1	25011022	Seal Kit	1	3	25011024	Guide Ring	1
2	25011023	Seat Ring	1	4	25011025	Packing Nut	1

10 FT. V-PLOW

POWER UNIT - KTI MODEL DC-45274RA



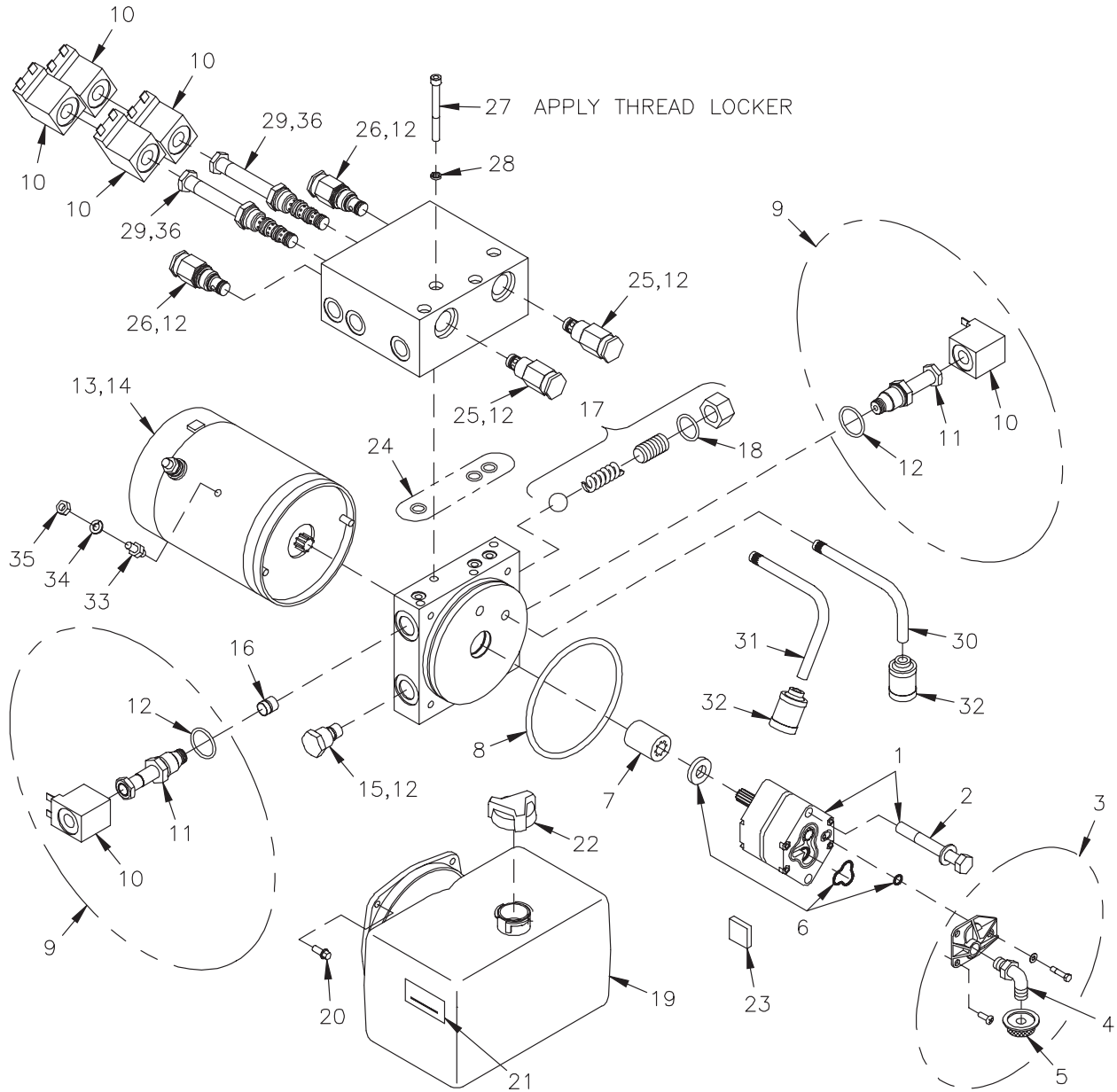
5
S
C
E
M
E

25014108 Power Unit - KTI Model DC-45274RA

DWG. NO. 7778A

REF. NO.	PART NUMBER	DESCRIPTION	QTY.	REF. NO.	PART NUMBER	DESCRIPTION	QTY.
1	25014127	Pump Assembly	1	18	25014121	Check Valve	1
2	950-001-370	Hex Head Cap Screw 5/16-24 X 3 1/4 Gr. 5	2	19	25014119	Solenoid Coil 10V	6
3	952-001-002	Lock Washer 5/16 Inch	2	20	25010544	Cartridge Valve	2
4	25010220	Plumbing Magnet	1	21	25014120	Orifice Disc .062 Dia.	1
5	25014130	Inlet Strainer	1	22	25014188	O-Ring Kit	1
6	367-001-014	Plastic Cable Tie	1	23	25014115	Motor 12VDC	1
7	25014129	3/8 NPT Elbow Aluminum	1	24	25014125	Relief Valve	2
8	25014131	Coupler	1	25	25011525	Spool Valve	2
9	25014126	Clear Plastic Tubing 6"	1	26	25013106	Seal Kit	1
10	958-025-002	Hose Clamp 1/2 Inch	2	27	25014118	Relief Valve	3
11	958-005-002	Adapter 1/4 NPT To 1/2" Tube	2	28	950-004-128	Socket Head Cap Screw 1/4-20 X 2 1/4	4
12	25014128	O-Ring 113mm ID X 4mm CS	1	29	952-004-080	Lock Washer 1/4 X .363 OD	4
13	25014132	Reservoir	1	30	62502240	Breather O-Ring	1
14	25014133	Breather Cap	1	31	25014320	Ground Wire Kit	1
15	865-001-081	Hose Clamp 5 1/2 Inch	1	32	25014331	Pump Seal Kit	1
16	950-002-020	Hex Head Flanged Whiz Lock Bolt 1/4-20 X1/2	4	33	25010992	O-Ring Kit	2
17	25014124	Oil Level Label	1	34	25011654	Release Valve Kit	2

POWER UNIT - SPX MODEL DB-5245-1



SECTION 5

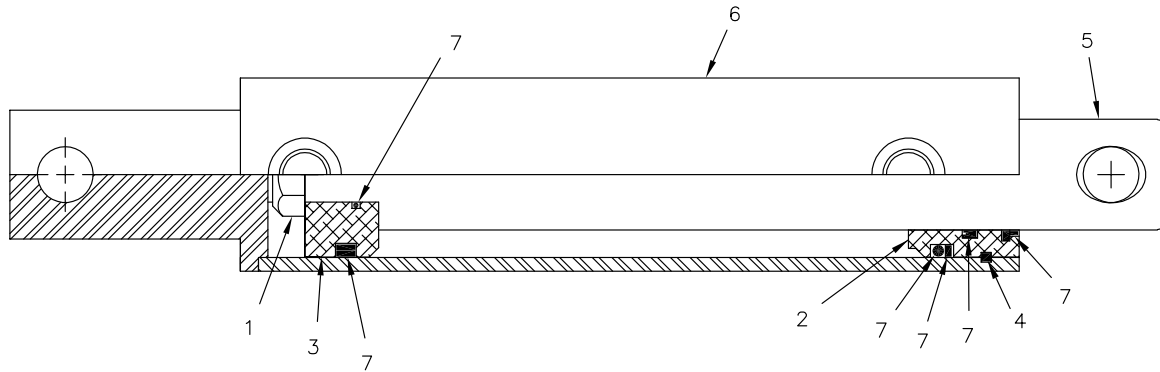
25012648 Power Unit - SPX Model DB-5245-1

DWG. NO. 6526A

REF. NO.	PART NUMBER	DESCRIPTION	QTY.	REF. NO.	PART NUMBER	DESCRIPTION	QTY.
1	25010734	Pump Assembly	1	19	25010738	Plastic Tank	1
2	950-001-327	Hex Head Cap Screw 5/16-24 x 3 Gr. 8	2	20	950-004-071	Machine Screw #12-24 x 1/2 Hex Washer Head	4
3	25010332	Inlet Plumbing Kit	1	21	25010436	Decal - Fill Line	1
4	25010244	Plumbing Elbow	1	22	25010217	Plastic Breather	1
5	25010221	Filter	1	23	25010220	Plumbing Magnet	1
6	25010334	Pump O-Ring Kit	1	24	25013881	Manifold O-Ring Kit	1
7	25010214	Coupling	1	25	25012678	Relief Valve	2
8	25010236	O-Ring	1	26	25010985	Crossover Relief Valve	2
9	25011654	Release Valve Kit	2	27	950-004-095	Socket Head Cap Screw 1/4-20 x 2 1/2	4
10	25011667	Solenoid Coil	6	28	952-004-080	Lock Washer 1/4 Inch	4
11	25010544	Cartridge Release Valve	2	29	25011525	Spool Valve	2
12	25010992	O-Ring Kit	1	30	25010935	Return Tube	1
13	25010230	Motor 12V DC	1	31	25012737	Return Tube	1
14	25010337	Motor Brush Kit	1	32	25010745	Return Tube Filter	2
15	25010746	Check Valve	1	33	25012673	Ground Stud 1/4-20	1
16	25012736	Orifice With O-Ring	1	34	952-001-001	Lock Washer 1/4 Inch	1
17	25010330	Adjustable Relief Valve Kit	1	35	951-001-003	Hex Nut 1/4-20	1
18	25010518	Adjustable Relief Valve O-Ring	1	36	25013106	Seal Kit	1

10 FT. V-PLOW

2 1/4 X 10 HYDRAULIC CYLINDER

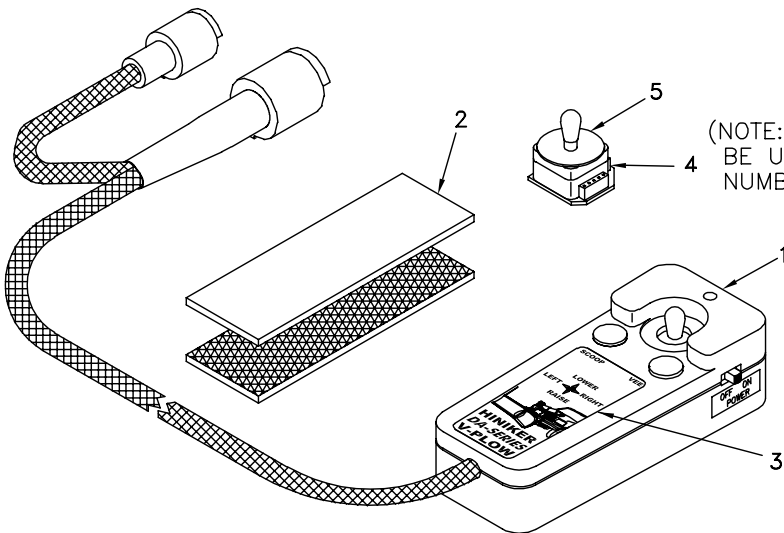


25011080 2 1/4 x 10 Cylinder

DWG. NO. 5189

REF. NO.	PART NUMBER	DESCRIPTION	QTY.	REF. NO.	PART NUMBER	DESCRIPTION	QTY.
1	25011119	Nut	1	5	25011123	Shaft	1
2	25011120	Head	1	6	25011124	Barrel	1
3	25011121	Piston	1	7	25011145	Repair Kit	1
4	25011122	Retaining Ring	1				

JOYSTICK CONTROLLER

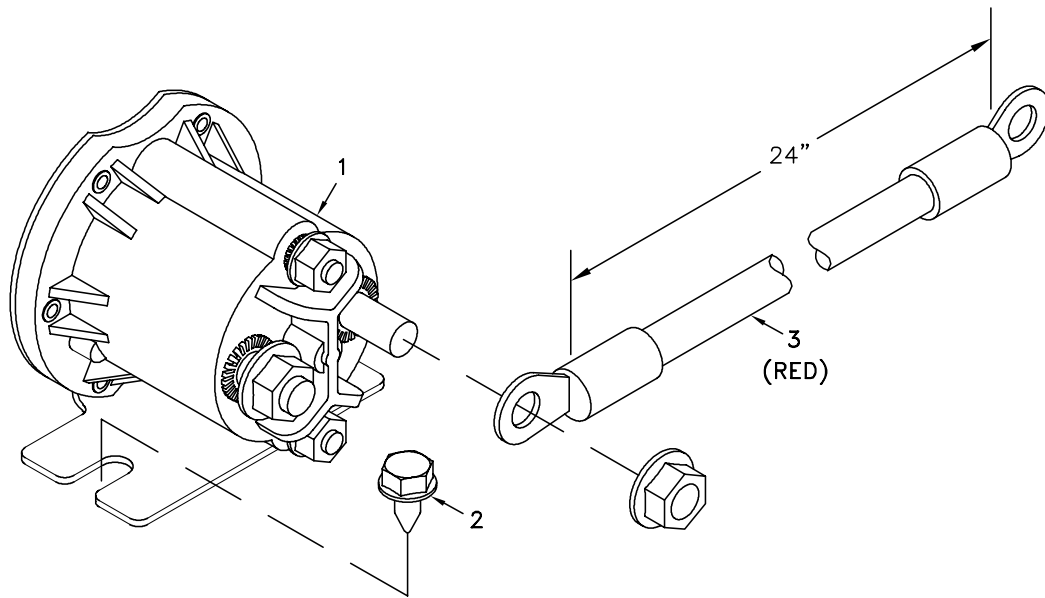


DWG. NO. 5928

REF. NO.	PART NUMBER	DESCRIPTION	QTY.	REF. NO.	PART NUMBER	DESCRIPTION	QTY.
1	36014026	Controller DA V-Plow	1	4	36014019	Switch Assembly	1
2	39108005	Hook & Loop Assembly	1	5	36716033	Gasket, Neoprene	1
3	39302153	Decal DA Joystick Top 2 Sided	1				

5 CEMS

MOTOR SOLENOID

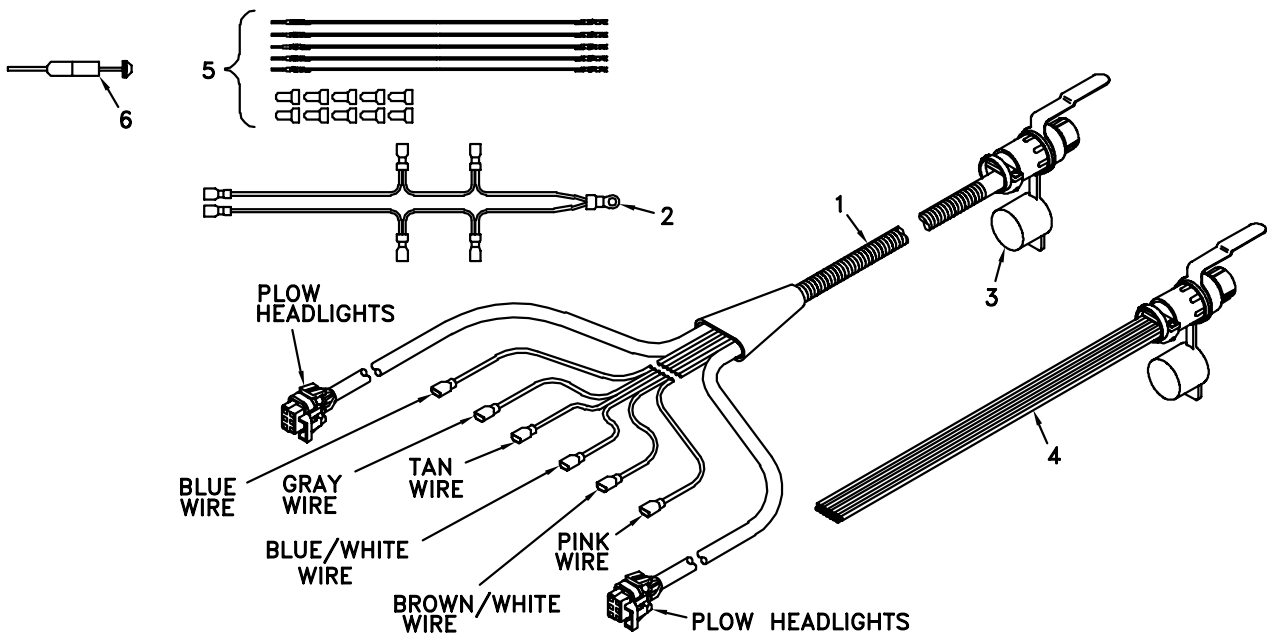


DWG. NO. 6559

REF. NO.	PART NUMBER	DESCRIPTION	QTY.	REF. NO.	PART NUMBER	DESCRIPTION	QTY.
1	38350015	Motor Solenoid, Sealed	1	3	38813012	Solenoid Cable, Red 4 Ga. 24 Inch	1
2	950-005-004	Self Tapping Screw 1/4-20 x 1/2 Hex Washer Head	2				

SECTION 5

PLOW WIRING HARNESS - LED HEADLAMPS

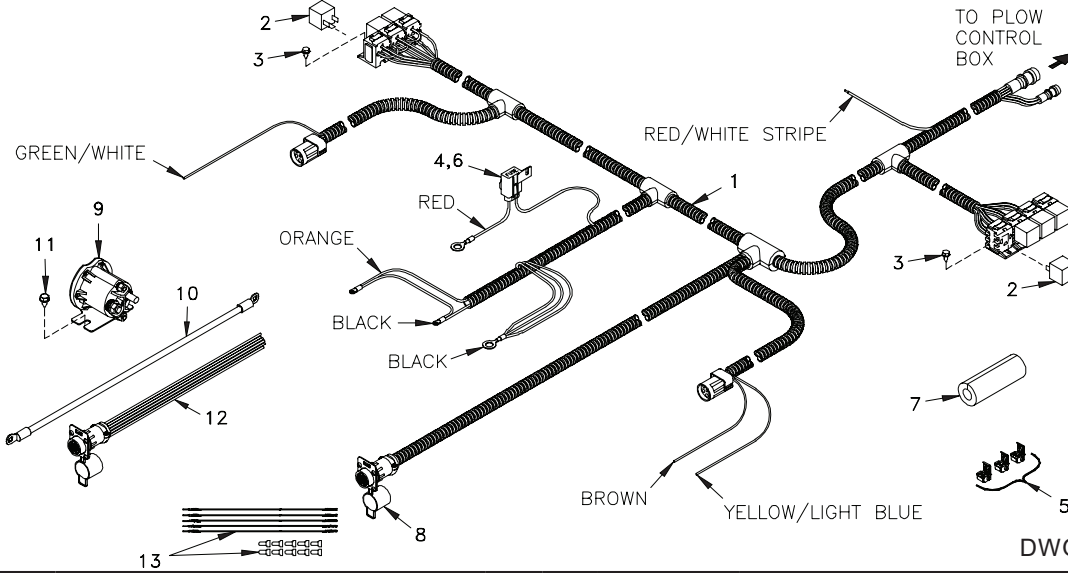


DWG. NO. 7809

REF. NO.	PART NUMBER	DESCRIPTION	QTY.	REF. NO.	PART NUMBER	DESCRIPTION	QTY.
1	38813155	6 Function External Harness W/CPC Connector	1	4	38813107	Repair Pigtail, AMP CPC Plow	A/R
2	38813096	Ground Harness - 1/4" Ring	1	5	38813108	Repair Kit, AMP CPC (5 Wires)	A/R
	38813154	Ground Harness - 5/16" Ring	1	6	38640000	Pin/Socket Extraction Tool	1
3	36716042	Dust Cap	1				

10 FT. V-PLow

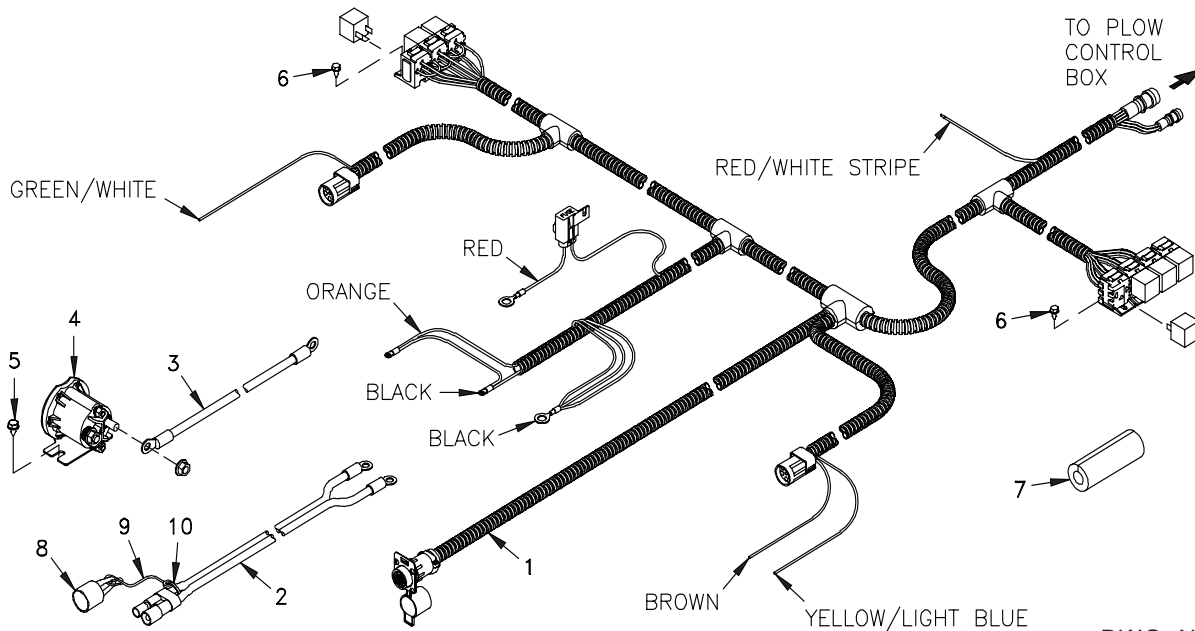
UNDERHOOD WIRING HARNESS



DWG. NO. 6749

REF. NO.	PART NUMBER	DESCRIPTION	QTY.	REF. NO.	PART NUMBER	DESCRIPTION	QTY.
1	38813097	Underhood Harness With 16 Pin CPC (Includes Relays And Fuse)	1	7	39107001	Foam Grommet 4" Long	1
2	38350010	Headlight/Accessory Relay	7	8	36716043	Dust Cap	1
3	031-30078	S-Tap Screw #8-18 x 1/2 Slotted Hex Head	4	9	38350015	Motor Solenoid Sealed	1
4	39207031	10 Amp Fuse	1	10	38813012	Red Solenoid Cable 4 Ga. 24 Inch	1
5	38610104	Sealed Quick Connect	3	11	950-005-004	S-Tap Screw 1/4-20 x 1/2 Hex Washer Head	2
6	38400012	Cover, Fuse Holder	1	12	38813106	Repair Pigtail, AMP CPC Grill	A/R
				13	38813108	Repair Kit, AMP CPC (5 Wires)	A/R

UNDERHOOD WIRING REMOUNT KIT W/CPC



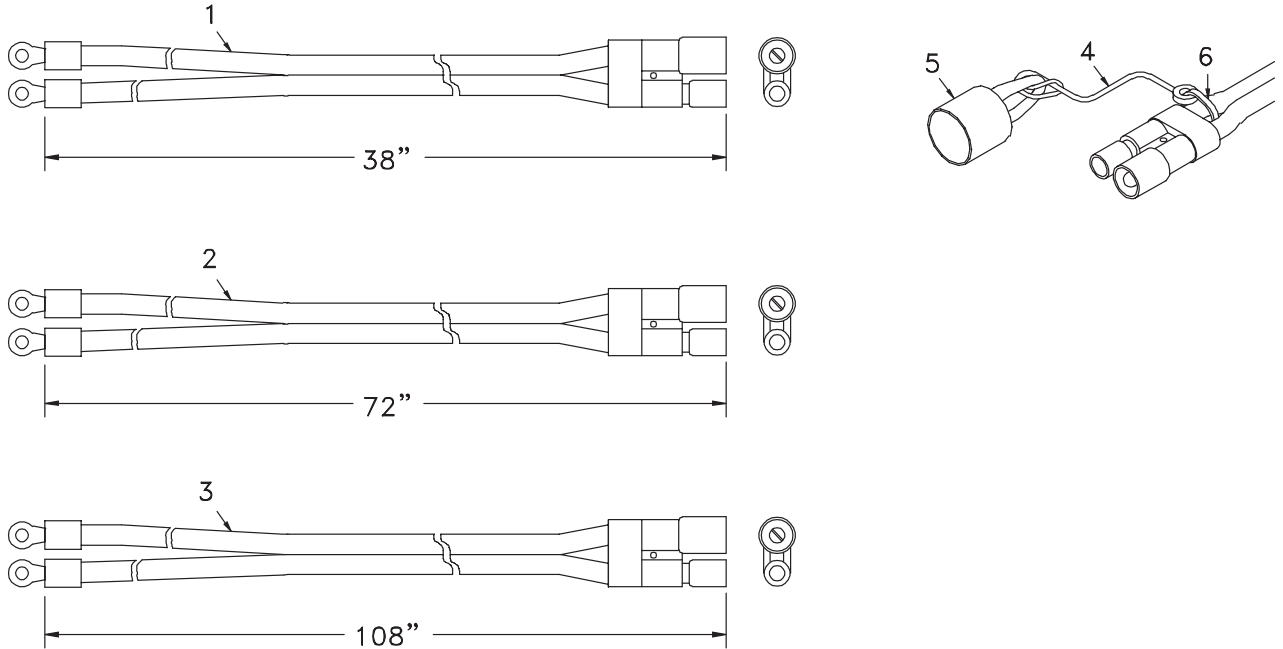
25013295 Remount Kit

DWG. NO. 6993

REF. NO.	PART NUMBER	DESCRIPTION	QTY.	REF. NO.	PART NUMBER	DESCRIPTION	QTY.
1	38813097	Underhood Harness W/16 Pin CPC	1	6	031-30078	Self Tapping Screw #8-18 x 1/2 Slotted Hex Head	4
2	38813066	Cable Battery Power 9 Ft	1	7	39107001	Foam Grommet	1
3	38813012	Cable, Solenoid 24"	1	8	36716002	Dust Cap	1
4	38350015	Motor Solenoid	1	9	36716025	Nylon Lanyard 8"	1
5	950-005-004	Self Tapping Screw 1/4-20 x 1/2 Hex Washer Head	2	10	367-001-014	Cable Tie 8"	1

SEC 5

POWER CABLES AND DUST CAPS

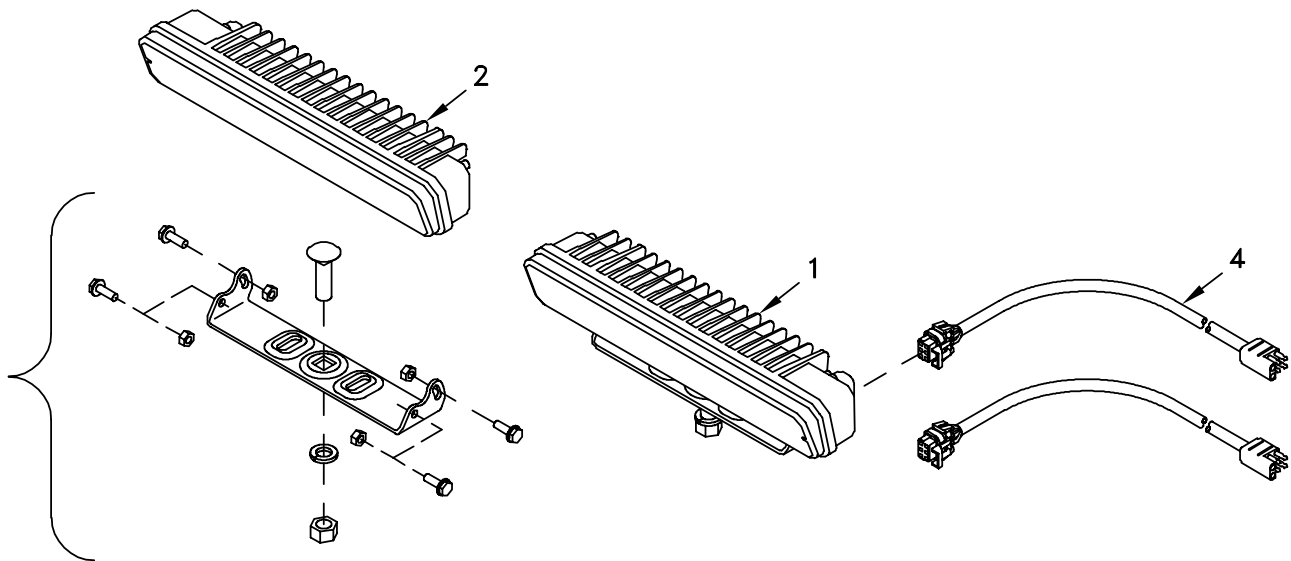


DWG. NO. 6744

REF. NO.	PART NUMBER	DESCRIPTION	QTY.	REF. NO.	PART NUMBER	DESCRIPTION	QTY.
1	38812008	Battery Power Cable - Snow Plow	1	4	36716025	Nylon Lanyard 8"	A/R
2	38813007	Battery Power Cable - Truck 6 Ft.	1	5	36716002	Large Dust Cap	A/R
3	38813066	Battery Power Cable - Truck 9 Ft.	1	6	367-001-014	Cable Tie 8"	A/R

SECTION 5

LED HEADLAMPS



25014159 LED Headlight Pair (Items 1, 2, 3)

DWG. NO. 7810

REF. NO.	PART NUMBER	DESCRIPTION	QTY.	REF. NO.	PART NUMBER	DESCRIPTION	QTY.
1	25014164	LH Headlight	1	3	25014166	Headlamp Mounting Hardware for 1 Light	2
2	25014165	RH Headlight	1	4	38813159	Adapter Harness - LED Upfit	A/R

