

# SECTION 11

## TILT LIFT

# SNOWPLOW

**MODELS: 1700SS, 1750SS**

### **PLOW COMPONENTS**

- PAGE 2 MOLDBOARD ASSEMBLIES**
- PAGE 3 PUSH FRAME ASSEMBLY**  
**RUBBER CUTTING EDGES**
- PAGE 4 LIFT FRAME ASSEMBLY**
- PAGE 5 POWER UNIT COVER ASSEMBLY**  
**SNOW DEFLECTOR ASSEMBLY**
- PAGE 6 SKID SHOE ASSEMBLY**
- PAGE 11 MOLDBOARD STRAP KITS**

### **HYDRAULIC COMPONENTS**

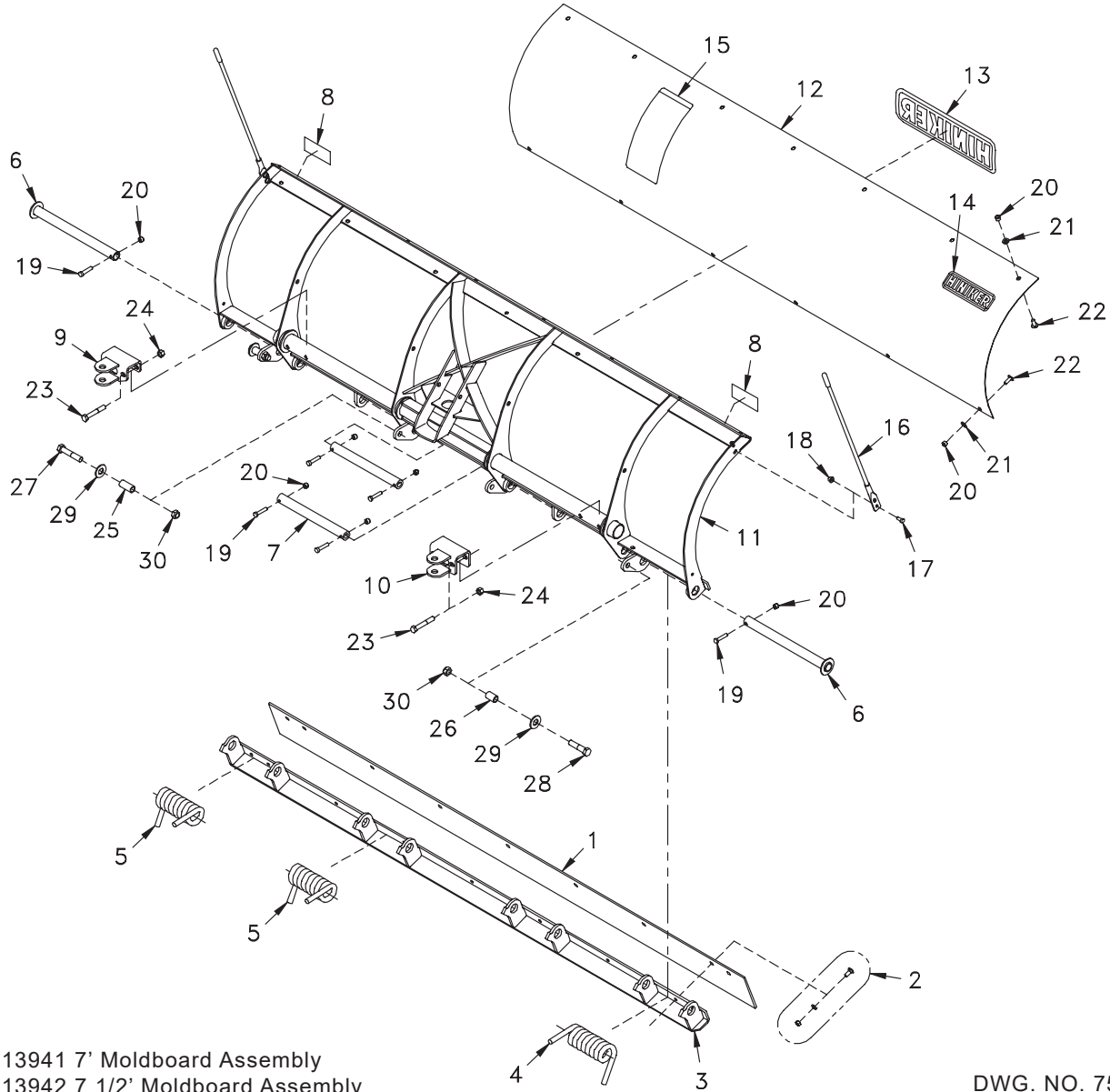
- PAGE 6 HYDRAULIC OVERVIEW**
- PAGE 7 POWER UNIT**
- PAGE 8 1 1/2 X 10 HYDRAULIC CYLINDER**  
**2 X 7 HYDRAULIC CYLINDER**

### **ELECTRICAL COMPONENTS**

- PAGE 9 JOYSTICK CONTROLLER**  
**POWER CABLES AND DUST CAPS**
- PAGE 10 UNDERHOOD WIRING HARNESS**  
**PLOW WIRING HARNESS**

MOLDBOARD ASSEMBLY

SEC  
11

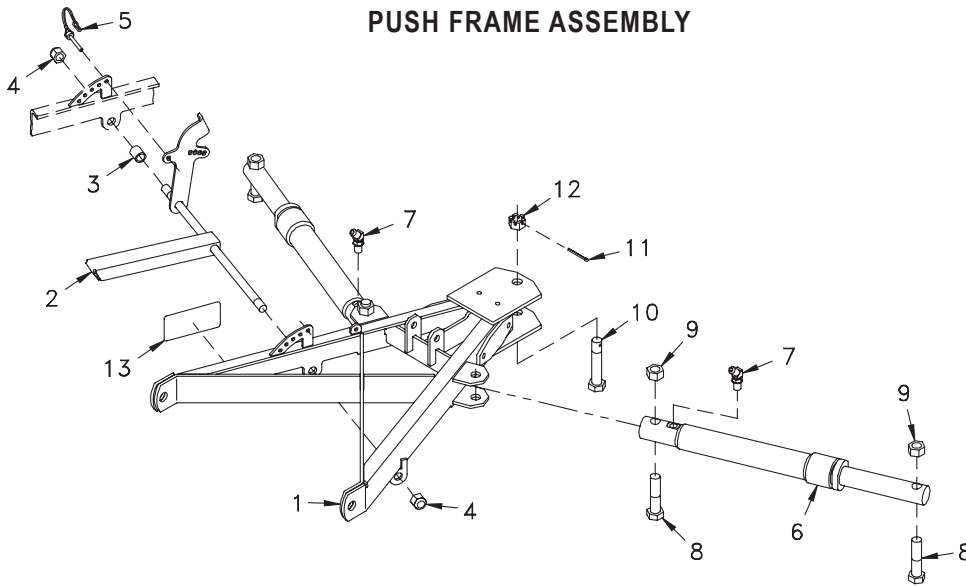


25013941 7' Moldboard Assembly  
25013942 7 1/2' Moldboard Assembly

DWG. NO. 7520A

REF. NO.	PART NUMBER	DESCRIPTION	QTY.	REF. NO.	PART NUMBER	DESCRIPTION	QTY.
1	25013786	Cutting Edge 7' Plow	1	14	25013721	Decal, Hiniker	1
	25013805	Cutting Edge 7 1/2' Plow	1	15	25013782	Decal, Plow Removal	1
	25013812	Cutting Edge Bolt Kit	1	16	25010118	Guide Marker	2
3	25013785	Trip Edge Weldment 7' Plow	1	17	950-001-113	Hex Head Cap Screw 5/16-18 x 3/4 Gr. 5	4
	25013804	Trip Edge Weldment 7 1/2' Plow	1	18	951-005-036	Lock Nut 5/16-18 Mac Lock	4
4	25013404	Helical Torsion Spring LH Wound	1	19	950-001-092	Hex Head Cap Screw 3/8-16 x 1 3/4 Gr. 5	6
5	25013403	Helical Torsion Spring RH Wound	2	20	951-003-002	Lock Nut 3/8-16 Nylon Insert	19
6	25013787	Outer Trip Pin Weldment 7' Plow	2	21	952-002-013	Flat Washer 3/8 Stainless Steel	10
	25013806	Outer Trip Pin Weldment 7 1/2' Plow	2	22	950-004-125	Machine Screw 3/8-16 x 1 Slotted Truss Head SS	13
7	25013405	Inner Trip Pin	2	23	031-06212	Hex Head Cap Screw 1/2-13 x 3 1/4 Gr. 5	4
8	36360069	Reflective Tape Yellow	2	24	10304	Lock Nut 1/2-13 2-Way	4
9	25013788	LH Clevis Weldment	1	25	25013781	Spacer Bushing 1 15/16" Long	1
10	25013789	RH Clevis Weldment	1	26	25013406	Spacer Bushing 1 3/8" Long	2
11	25013951	Moldboard Frame Weldment 7' Plow	1	27	950-001-162	Hex Head Cap Screw 5/8-11 x 3 1/4 Gr. 5	1
	25013957	Moldboard Frame Weldment 7 1/2' Plow	1	28	031-06308	Hex Head Cap Screw 5/8-11 x 2 3/4 Gr. 5	2
12	25013952	Moldboard Blank 7' Plow	1	29	952-002-007	Flat Washer 5/8 Inch	3
	25013958	Moldboard Blank 7 1/2' Plow	1	30	951-005-082	Lock Nut 5/8-11 Uni Torque	3
13	79204093	Decal, Hiniker	1				

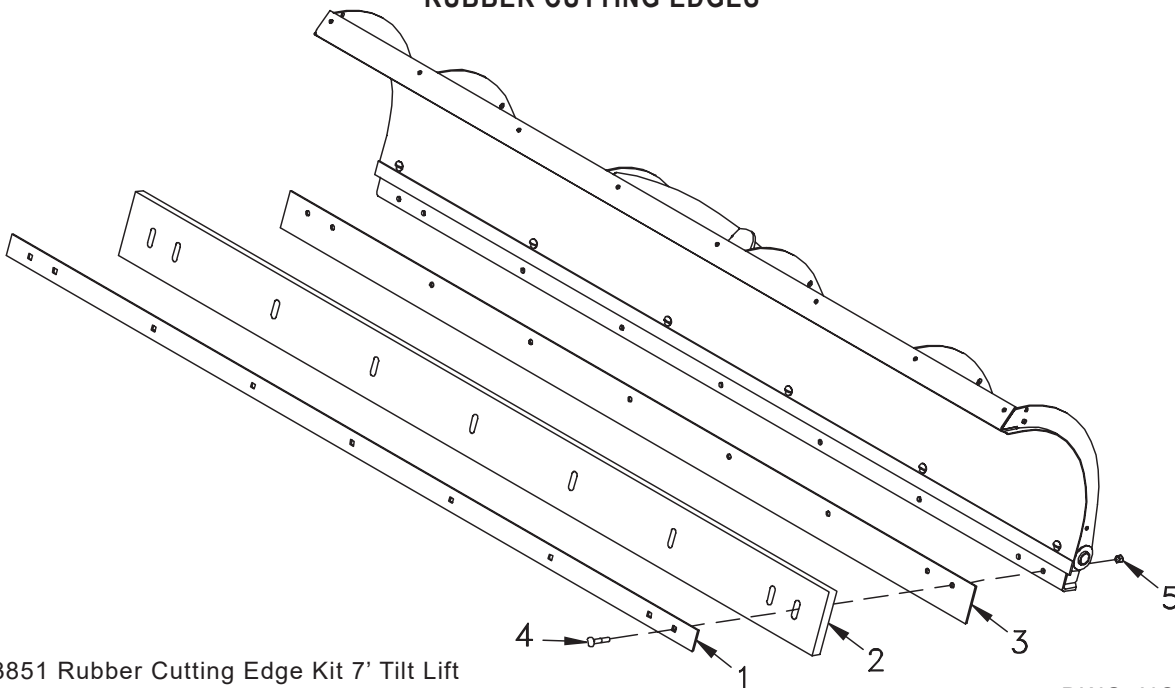
PUSH FRAME ASSEMBLY



DWG. NO. 7524A

REF. NO.	PART NUMBER	DESCRIPTION	QTY.	REF. NO.	PART NUMBER	DESCRIPTION	QTY.
1	25011864	Push Frame/Decal Assembly	1	8	950-001-069	Hex Head Cap Screw 3/4-10 x 3 1/4 Gr. 5	4
2	25013765	Park Stand Weldment	1	9	951-005-037	Lock Nut 3/4-10 2-Way	4
3	25011896	Spacer Bushing	1	10	25012630	Drilled Bolt 3/4-10 x 4	1
4	060756	Lock Nut 5/8-11 Nylon Insert	2	11	953-001-008	Cotter Pin 3/16 x 1 3/4	1
5	25010797	Tab Lock Pin	2	12	034-00136	Slotted Nut 3/4-10	1
6	25010523	1 1/2 x 10 Cylinder (See Sec. 11, P. 8)	2	13	25010697	Decal, Caution	1
7	956-005-023	45° Adapter 9/16 ORB x 9/16 JIC	2				

RUBBER CUTTING EDGES



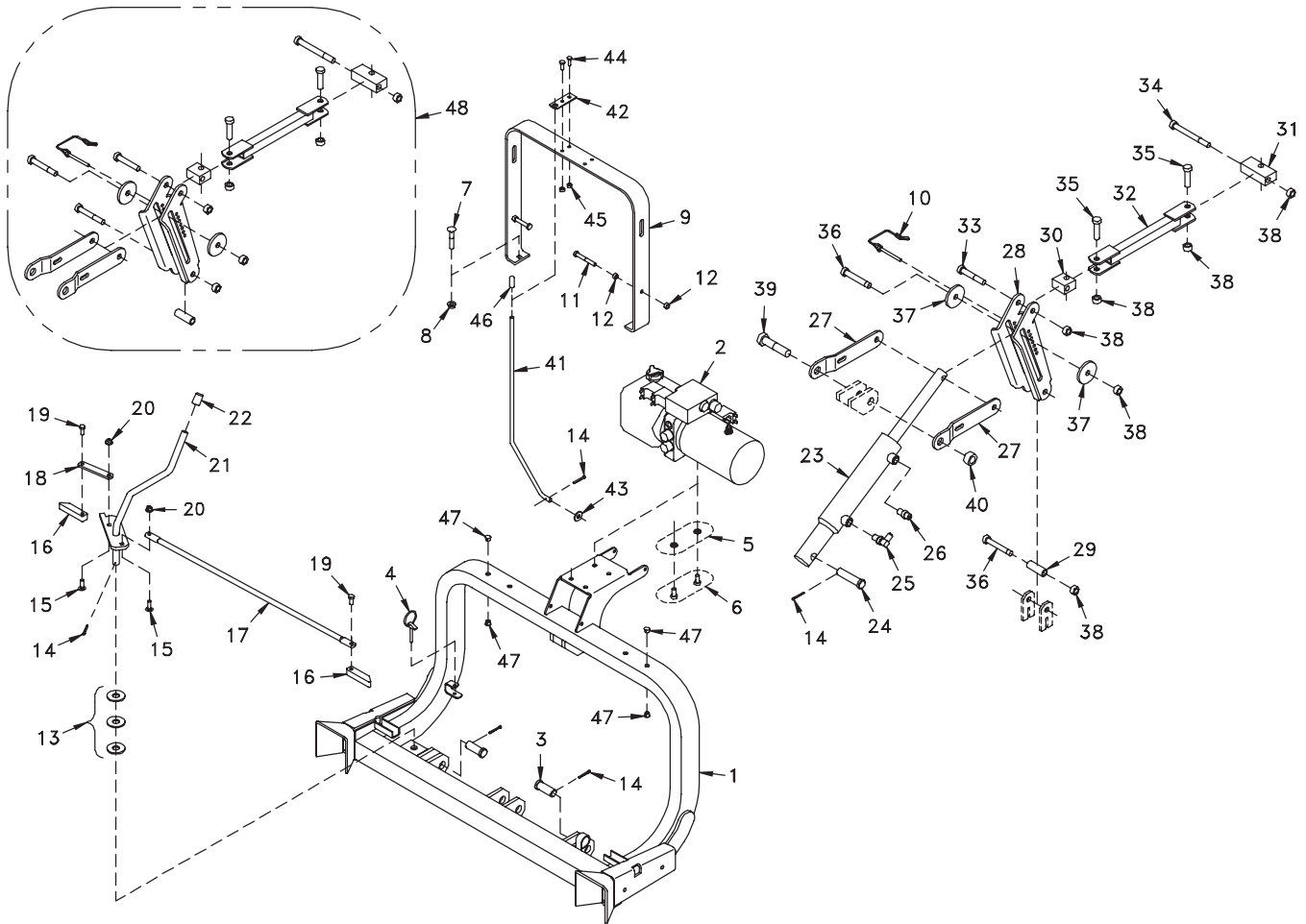
25013851 Rubber Cutting Edge Kit 7' Tilt Lift  
25013852 Rubber Cutting Edge Kit 7 1/2' Tilt Lift

DWG. NO. 7635

REF. NO.	PART NUMBER	DESCRIPTION	QTY.	REF. NO.	PART NUMBER	DESCRIPTION	QTY.
1	25013855	Front Strap 7 1/2 Ft.	1	3	25013854	Rear Strap 7 1/2 Ft.	1
	25013858	Front Strap 7 Ft.	1		25013857	Rear Strap 7 Ft.	1
2	25013853	Rubber Cutting Edge 7 1/2 Ft.	1	4	950-003-012	Carriage Bolt 3/8-16 X 2 1/4 Gr. 5	A/R
	25013856	Rubber Cutting Edge 7 Ft.	1	5	951-003-002	Lock Nut 3/8-16 Nylon Insert	A/R

LIFT FRAME ASSEMBLY

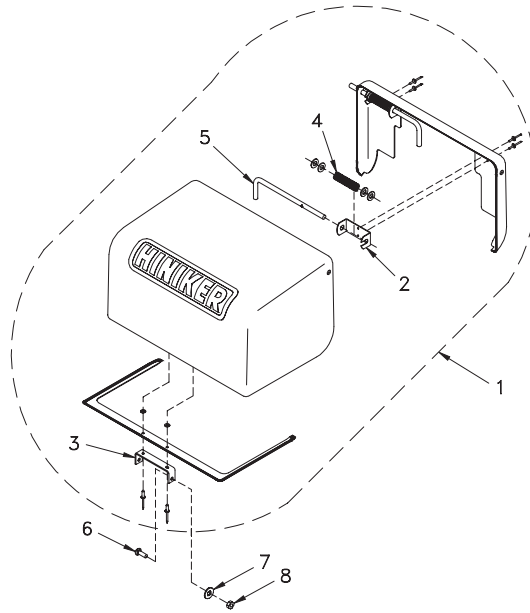
SEC  
11



DWG. NO.7525A

REF. NO.	PART NUMBER	DESCRIPTION	QTY.	REF. NO.	PART NUMBER	DESCRIPTION	QTY.
1	25013764	Frame Weldment	1	25	956-005-022	90° Adapter 9/16 ORB x 9/16 JIC	1
2	25013773	Power Unit (See Sec. 11, P. 7)	1	26	206-01024	Straight Adapter 9/16 ORB x 9/16 JIC	1
3	953-002-031	Clevis Pin 3/4 x 2	2	27	25013945	Upper Lift Link	2
4	703-00209	Klik Pin	1	28	25013946	Lower Link Weldment	1
5	952-001-007	Lock Washer 3/8 Inch	2	29	25010114	Spacer Bushing 1 11/16" Long	1
6	950-001-089	Hex Head Cap Screw 3/8-16 x 3/4 Gr. 5	2	30	25013947	Short Trunnion	1
7	950-003-012	Carriage Bolt 3/8-16 x 2 1/4 Gr. 5	2	31	25013949	Long Trunnion	1
8	951-005-003	Lock Nut 3/8-16 Mac Lock	2	32	25013948	Push Bar Weldment	1
9	25013775	Strap	1	33	950-001-075	Hex Head Cap Screw 1/2-13 x 3 Gr. 5	1
10	25013944	Tab Lock Pin-Square Wire	1	34	950-001-284	Hex Head Cap Screw 1/2-13 x 4 3/4 Gr. 5	1
11	950-001-097	Hex Head Cap Screw 5/16-18 x 2 1/2 Gr. 5	2	35	950-001-112	Hex Head Cap Screw 1/2-13 x 2 Gr. 5	2
12	951-001-004	Hex Nut 5/16-18	4	36	25013962	Hex Head Cap Screw 1/2-13 x 3 1/4 Gr. 5 Short Thread	2
13	952-002-007	Flat Washer 5/8 Inch	3	37	25013950	Flat Washer 1/2 x 2 3/8 x 1/4 Thick	2
14	035-42033	Cotter Pin 5/32 x 1 1/4	5	38	10304	Lock Nut 1/2-13 2-Way	6
15	030-16042	Carriage Bolt 5/16-18 x 1 Gr. 5	2	39	950-001-069	Hex Head Cap Screw 3/4-10 x 3 1/4 Gr. 5	1
16	25010276	Slider	2	40	951-005-037	Lock Nut 3/4-10 2-Way	1
17	25010274	Long Tie Rod	1	41	25013778	Indicator Rod	1
18	25010275	Short Tie Rod	1	42	25013779	Tab	1
19	950-011-042	Hex Head Cap Screw 5/16-18 x 3/4 Gr. 5 Nylon Dri-Lock	2	43	952-002-003	Flat Washer 3/8 Inch	1
20	951-005-036	Lock Nut 5/16-18 Mac Lock	2	44	950-001-117	Hex Head Cap Screw 1/4-20 x 3/4 Gr. 5	2
21	25010410	Handle Weldment	1	45	951-005-089	Lock Nut 1/4-20 2-Way	2
22	25011230	Vinyl Cap	1	46	25013780	Vinyl Cap	1
23	25013766	2 x 7 Cylinder (See Sec. 11, P. 8)	1	47	25013828	Hole Plug	4
24	953-002-032	Clevis Pin 3/4 x 3	1	48	25013955	Lift Linkage Kit	1

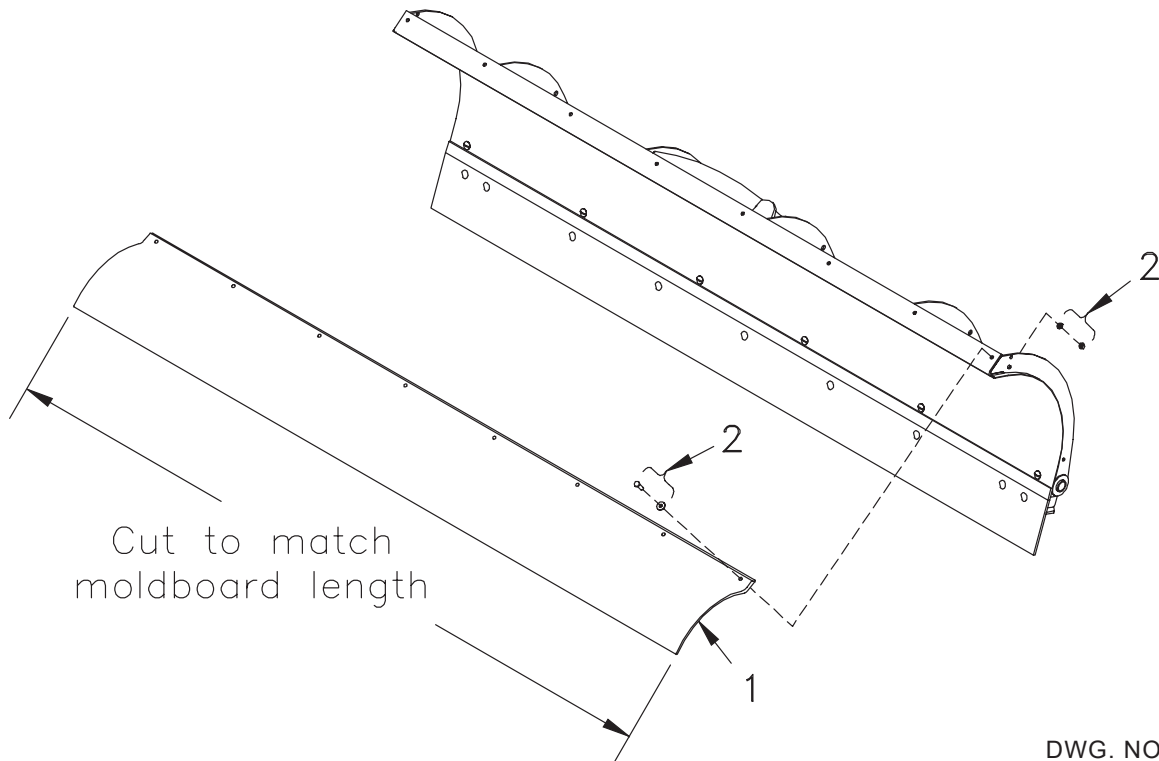
POWER UNIT COVER ASSEMBLY



DWG. NO. 5559

REF. NO.	PART NUMBER	DESCRIPTION	QTY.	REF. NO.	PART NUMBER	DESCRIPTION	QTY.
1	25011070	Cover Assembly (Includes Items 2-5)	1	5	25011071	Rod	2
2	25011073	Clevis	2	6	031-10657	Machine Screw 1/4-20 x 3/4 Slotted Round Head	2
3	25011072	Clevis	1	7	952-002-011	Flat Washer 1/4 Inch	2
4	25010717	Compression Spring	2	8	060954	Lock Nut 1/4-20 Nylon Insert	2

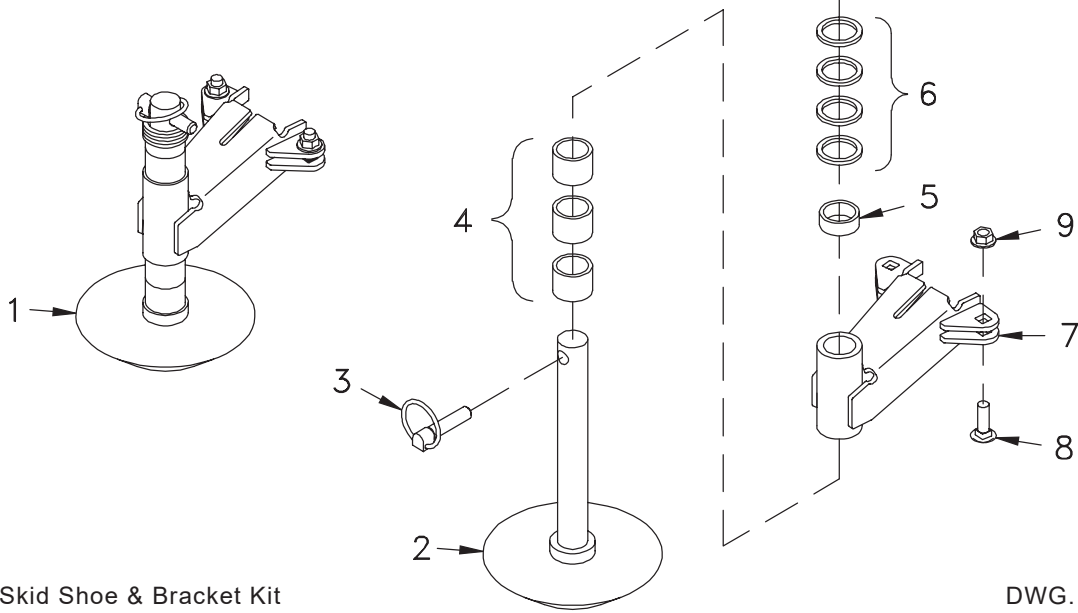
POLY SNOW DEFLECTOR KIT



DWG. NO. 7521A

REF. NO.	PART NUMBER	DESCRIPTION	QTY.	REF. NO.	PART NUMBER	DESCRIPTION	QTY.
1	25011789	Poly Snow Deflector Kit	1	2	25011793	Bolt Box, Snow Deflector (Included With Kit)	1

SKID SHOE ASSEMBLY

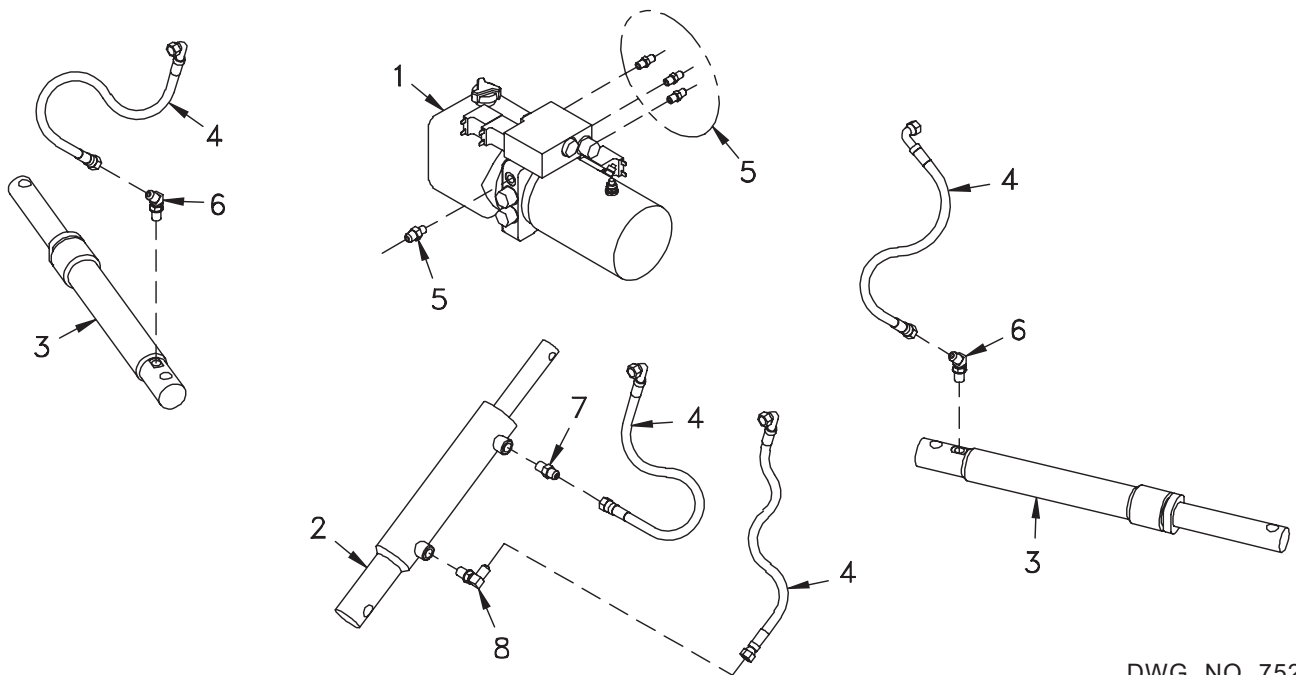


25013757 Skid Shoe & Bracket Kit

DWG. NO. 7522A

REF. NO.	PART NUMBER	DESCRIPTION	QTY.	REF. NO.	PART NUMBER	DESCRIPTION	QTY.
1	25013757	Skid Shoe & Bracket Kit (Contains 2 Skid Assys)	1	6	952-004-071	Machinery Bushing	8
2	25011478	Cast Iron Skid Shoe	2	7	25013862	Skid Bracket Weld	2
3	25010319	Klik Pin	2	8	950-003-029	Carriage Bolt 3/8-16 x 1 Gr. 5	4
4	25010049	1" Skid Spacer	6	9	951-005-003	Lock Nut 3/8-16 Mac Lock	4
5	25010048	1/2" Skid Spacer	2				

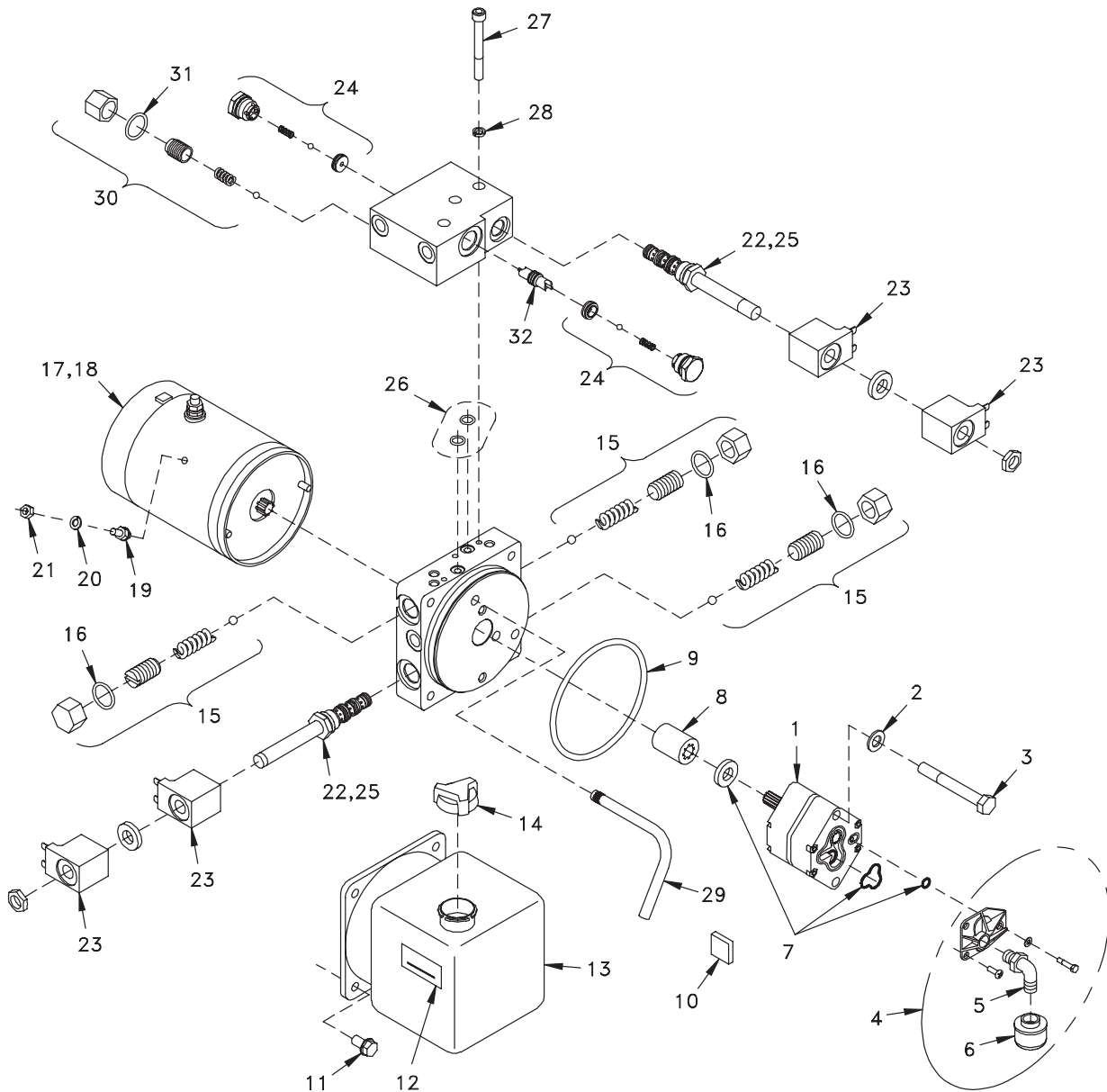
HYDRAULIC OVERVIEW



DWG. NO. 7526

REF. NO.	PART NUMBER	DESCRIPTION	QTY.	REF. NO.	PART NUMBER	DESCRIPTION	QTY.
1	25013773	Power Unit (See Sec. 11, P. 7)	1	5	956-003-032	Straight Adapter 7/16 ORB x 9/16 JIC	4
2	25013766	2 x 7 Cylinder (See Sec. 11, P. 8)	1	6	956-005-023	45° Adapter 9/16 ORB x 9/16 JIC	2
3	25010523	1 1/2 x 10 Cylinder (See Sec. 11, P. 8)	2	7	206-01024	Straight Adapter 9/16 ORB x 9/16 JIC	1
4	957-021-002	Hydraulic Hose Assembly 1/4 x 33	4	8	956-005-022	90° Adapter 9/16 ORB x 9/16 JIC	1

POWER UNIT



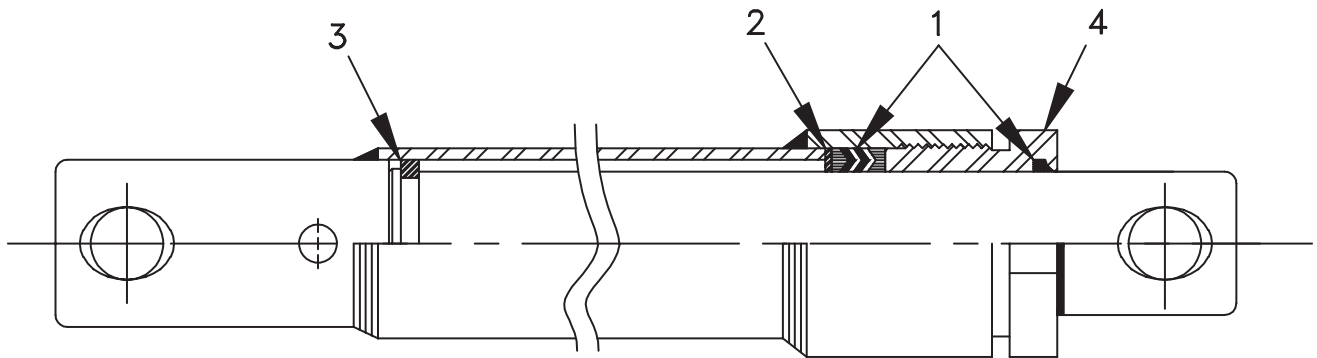
25013773 Power Unit - SPX Model DB-20092068-2

DWG NO. 7523

REF. NO.	PART NUMBER	DESCRIPTION	QTY.	REF. NO.	PART NUMBER	DESCRIPTION	QTY.
1	25010239	Pump Assembly	1	17	25010230	Motor 12V DC	1
2	033-12007	SAE Flat Washer, 5/16 Inch	2	18	25010337	Motor Brush Kit	1
3	950-001-099	Hex Head Cap Screw 5/16-24 x 2 3/4 Gr. 5	2	19	25012673	Ground Stud	1
4	25013833	Inlet Plumbing Kit	1	20	952-001-001	Lock Washer 1/4 Inch	1
5	25010244	Plumbing Elbow	1	21	951-001-003	Hex Nut 1/4-20	1
6	25013834	Filter	1	22	25011525	Spool Valve	2
7	25010334	Pump O-Ring Kit	1	23	25011667	Solenoid Coil 10V DC	4
8	25010214	Coupling	1	24	25013841	Check Valve Kit	2
9	25010236	O-Ring	1	25	25013106	O-Ring Kit	1
10	25010220	Plumbing Magnet	1	26	25013881	Manifold O-Ring Kit	1
11	950-004-071	Machine Screw #12-24 x 1/2 - Hex Washer Head	4	27	950-004-074	Socket Head Cap Screw 1/4-20 x 2	3
12	25010436	Decal - Fill Line	1	28	952-004-080	Lock Washer 1/4 x .363 O.D.	3
13	25013840	Plastic Tank	1	29	25013844	Return Tube	1
14	25010217	Plastic Breather	1	30	25013842	Adjustable Relief Valve Kit	1
15	25013835	Adjustable Relief Valve Kit	3	31	25013843	O-Ring	1
16	25010518	Adjustable Relief Valve O-Ring	1	32	25013838	Pilot Valve	1

1 1/2 X 10 HYDRAULIC CYLINDER

SEC  
11

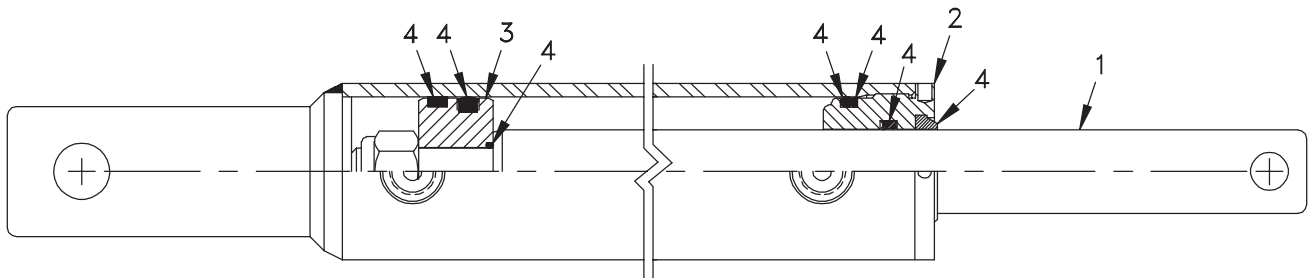


25010523 1 1/2 x 10 Cylinder

DWG. NO. 5711

REF. NO.	PART NUMBER	DESCRIPTION	QTY.	REF. NO.	PART NUMBER	DESCRIPTION	QTY.
1	25010464	Seal Kit	1	3	25010017	Guide Ring	1
2	25010016	Seat Ring	1	4	25010018	Packing Nut	1

2 X 7 HYDRAULIC CYLINDER



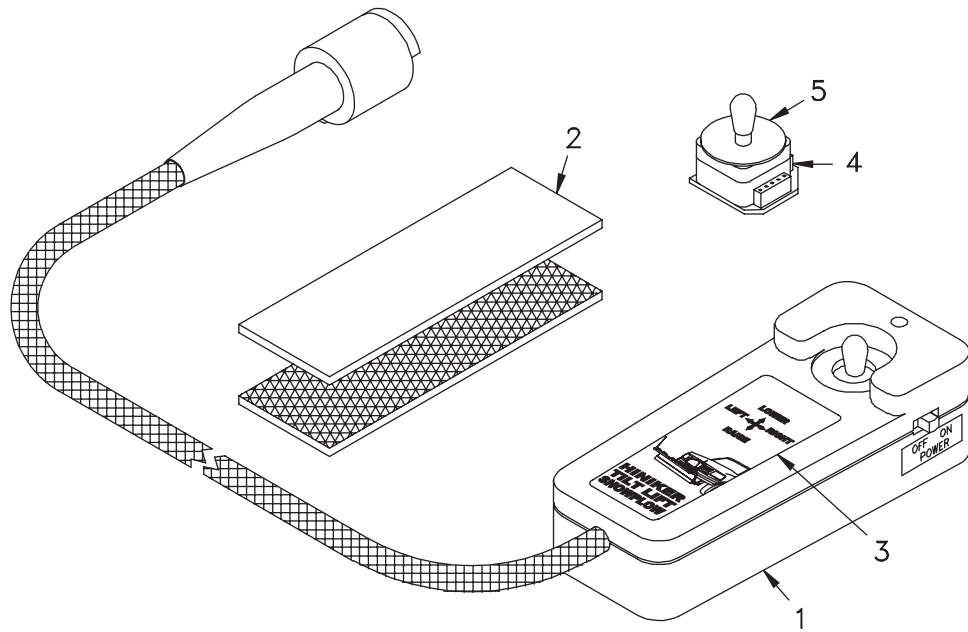
25013766 2 x 7 Cylinder

DWG. NO. 7528

REF. NO.	PART NUMBER	DESCRIPTION	QTY.	REF. NO.	PART NUMBER	DESCRIPTION	QTY.
1	25013831	Rod	1	4	25013830	Piston	1
2	25013832	Gland	1	5	25013829	Seal Kit	1



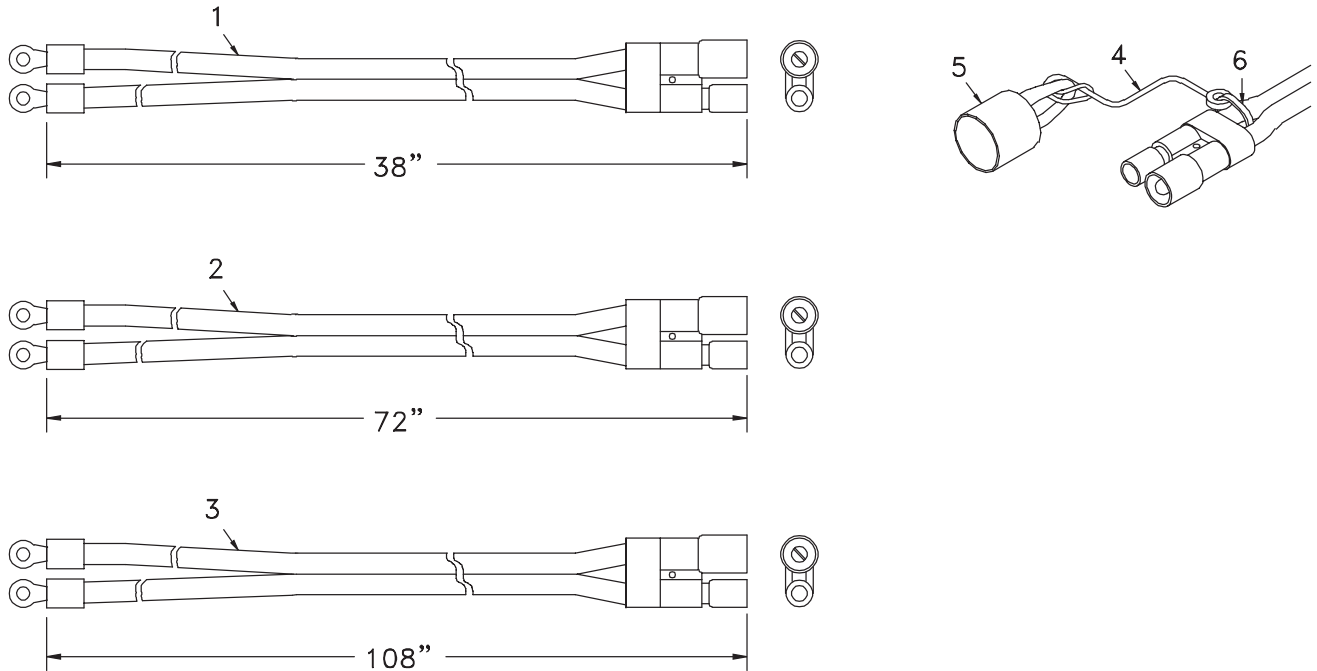
JOYSTICK CONTROLLER



DWG. NO. 7527

REF. NO.	PART NUMBER	DESCRIPTION	QTY.	REF. NO.	PART NUMBER	DESCRIPTION	QTY.
1	36014028	Joystick Tilt Lift W/Replaceable Switch	1	4	36014019	Replaceable Switch Assembly	1
2	39108005	Hook & Loop Assembly	1	5	36716033	Gasket	1
3	39302214	Decal, Tilt Lift Joystick, 2 Sided	1				

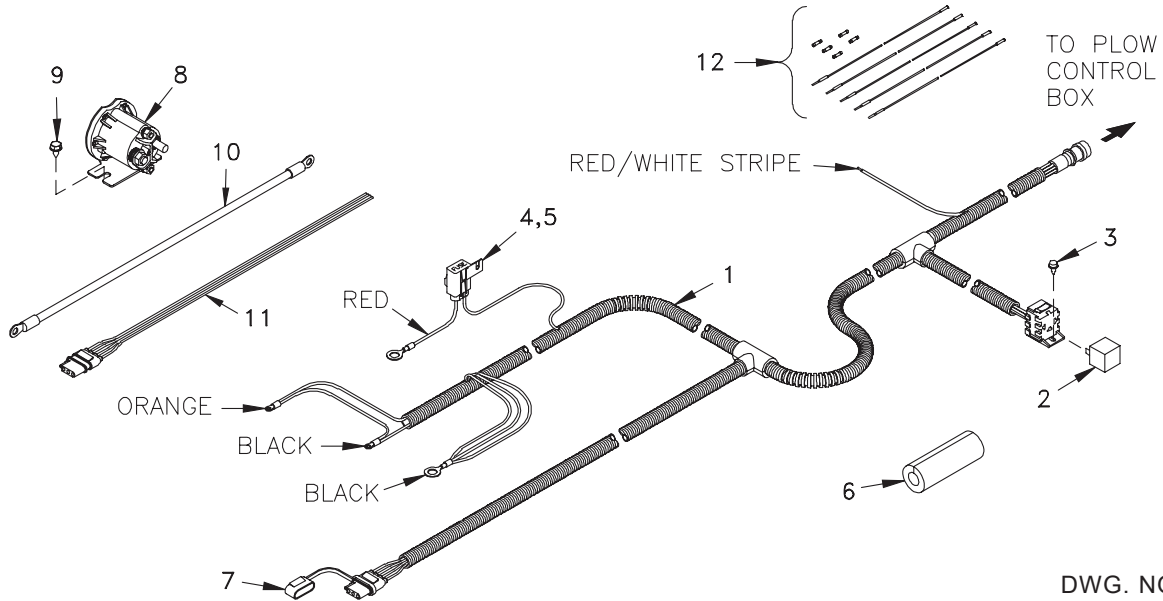
POWER CABLES AND DUST CAPS



DWG. NO. 6744

REF. NO.	PART NUMBER	DESCRIPTION	QTY.	REF. NO.	PART NUMBER	DESCRIPTION	QTY.
1	38812008	Battery Power Cable - Snow Plow	1	4	36716025	Nylon Lanyard 8"	A/R
2	38813007	Battery Power Cable - Truck 6 Ft.	1	5	36716002	Large Dust Cap	A/R
3	38813066	Battery Power Cable - Truck 9 Ft.	1	6	367-001-014	Cable Tie 8"	A/R

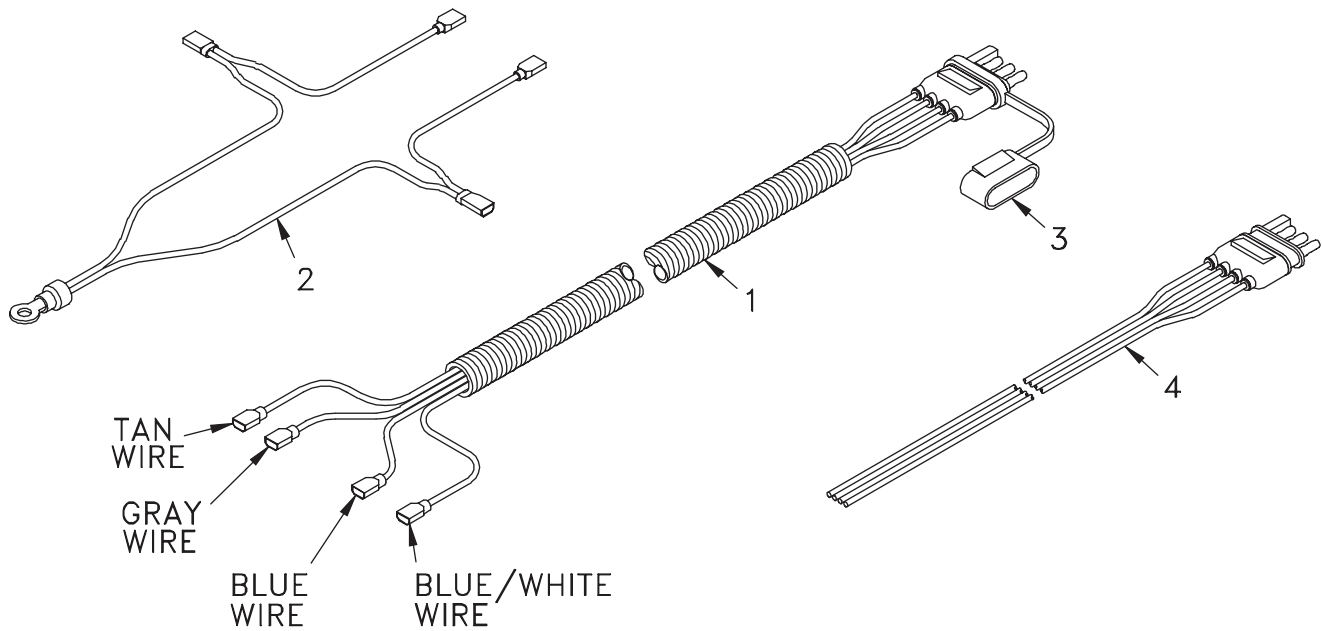
**UNDERHOOD WIRING HARNESS**



DWG. NO. 7518

REF. NO.	PART NUMBER	DESCRIPTION	QTY.	REF. NO.	PART NUMBER	DESCRIPTION	QTY.
1	38813123	Underhood Harness Tilt Lift	1	7	36717014	Dust Cap	1
2	38350010	Accessory Relay	1	8	38350015	Motor Solenoid Sealed	1
3	031-30078	Self-Tap Screw #8-18 x 1/2 Slotted Hex Head	1	9	950-005-004	Self-Tap Screw 1/4-20 x 1/2 Hex Washer Head	2
4	39207031	10 Amp Fuse	1	10	38813012	Red Cable 4 Ga. 24 Inch	1
5	38400012	Cover, Fuse Holder	1	11	38451011	4 Pin Connector, Truck	1
6	39107001	Foam Grommet 4" Long	1	12	38813108	Repair Kit (5 Wires)	AR

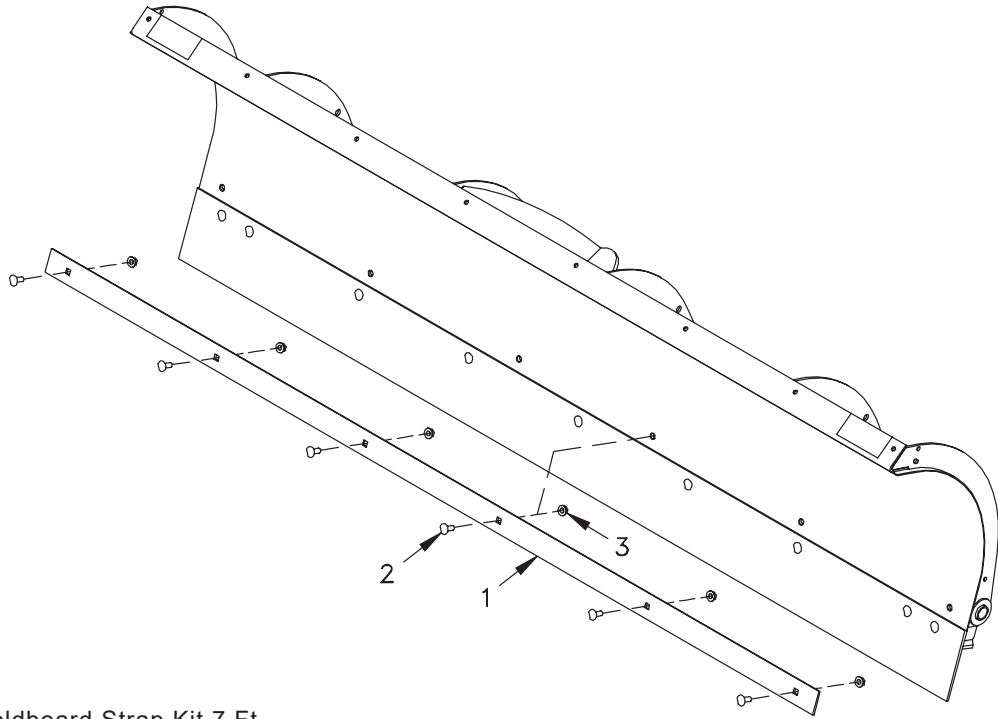
**PLOW WIRING HARNESS**



DWG. NO. 7579

REF. NO.	PART NUMBER	DESCRIPTION	QTY.	REF. NO.	PART NUMBER	DESCRIPTION	QTY.
1	38813124	4 Function External Harness Tilt Lift	1	3	36717014	Dust Cap	1
2	38813125	Ground Harness	1	4	38451010	4 Pin Connector, Plow	1

MOLDBOARD STRAP KITS



25013967 Moldboard Strap Kit 7 Ft.  
25013970 Moldboard Strap Kit 7 1/2 Ft.

DWG. NO. 7636

REF. NO.	PART NUMBER	DESCRIPTION	QTY.	REF. NO.	PART NUMBER	DESCRIPTION	QTY.
1	25013968	Strap 7 Ft. Plow	1	2	950-003-029	Carriage Bolt 3/8-16 x 1 Gr. 5	6
	25013971	Strap 7 1/2 Ft. Plow	1	3	951-005-003	Lock Nut 3/8-16 Mac Lock	6

