

SECTION 10

POLY TRIP EDGE

C-PLOW

MODELS: 8802/8902, 8803/8903

PLOW COMPONENTS

- PAGE 2 MOLDBOARD ASSEMBLIES**
- PAGE 4 PUSH FRAME ASSEMBLY**
- PAGE 5 LIFT FRAME ASSEMBLY**
- PAGE 6 POWER UNIT COVER ASSEMBLY**
WING KIT
- PAGE 7 RUBBER CUTTING EDGES**
1/2" THICK CUTTING EDGES
- PAGE 8 WEAR PLATE KIT**
CURB GUARD KITS

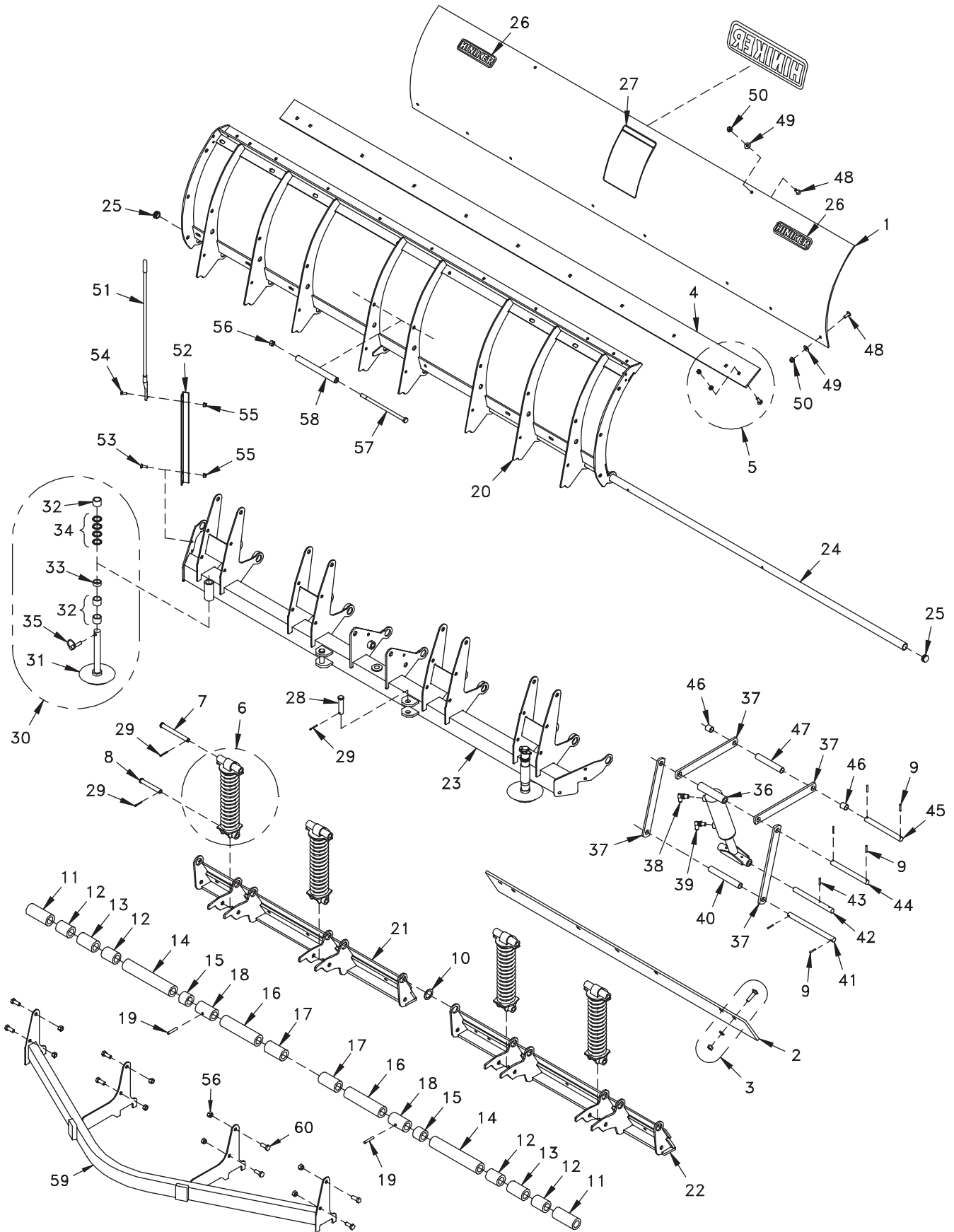
HYDRAULIC COMPONENTS

- PAGE 9 HYDRAULIC OVERVIEW**
1 3/4 X 9 AND 1 1/2 X 10 HYDRAULIC CYLINDERS
- PAGE 10 POWER UNIT - KTI MODEL DC 45315**
- PAGE 11 POWER UNIT - SPX MODEL DB-7885**
- PAGE 12 2 1/2 X 6 HYDRAULIC CYLINDER**

ELECTRICAL COMPONENTS

- PAGE 12 JOYSTICK CONTROLLER**
- PAGE 13 UNDERHOOD WIRING HARNESS**
UNDERHOOD WIRING REMOUNT KIT W/ CPC
- PAGE 14 PLOW WIRING HARNESS- LED HEADLAMPS**
PLOW WIRING HARNESS- COMPOSITE HEADLAMPS
- PAGE 15 POWER CABLES AND DUST CAPS**
LED HEADLAMPS
- PAGE 16 COMPOSITE HEADLAMPS**

MOLDBOARD ASSEMBLY



SEC
10

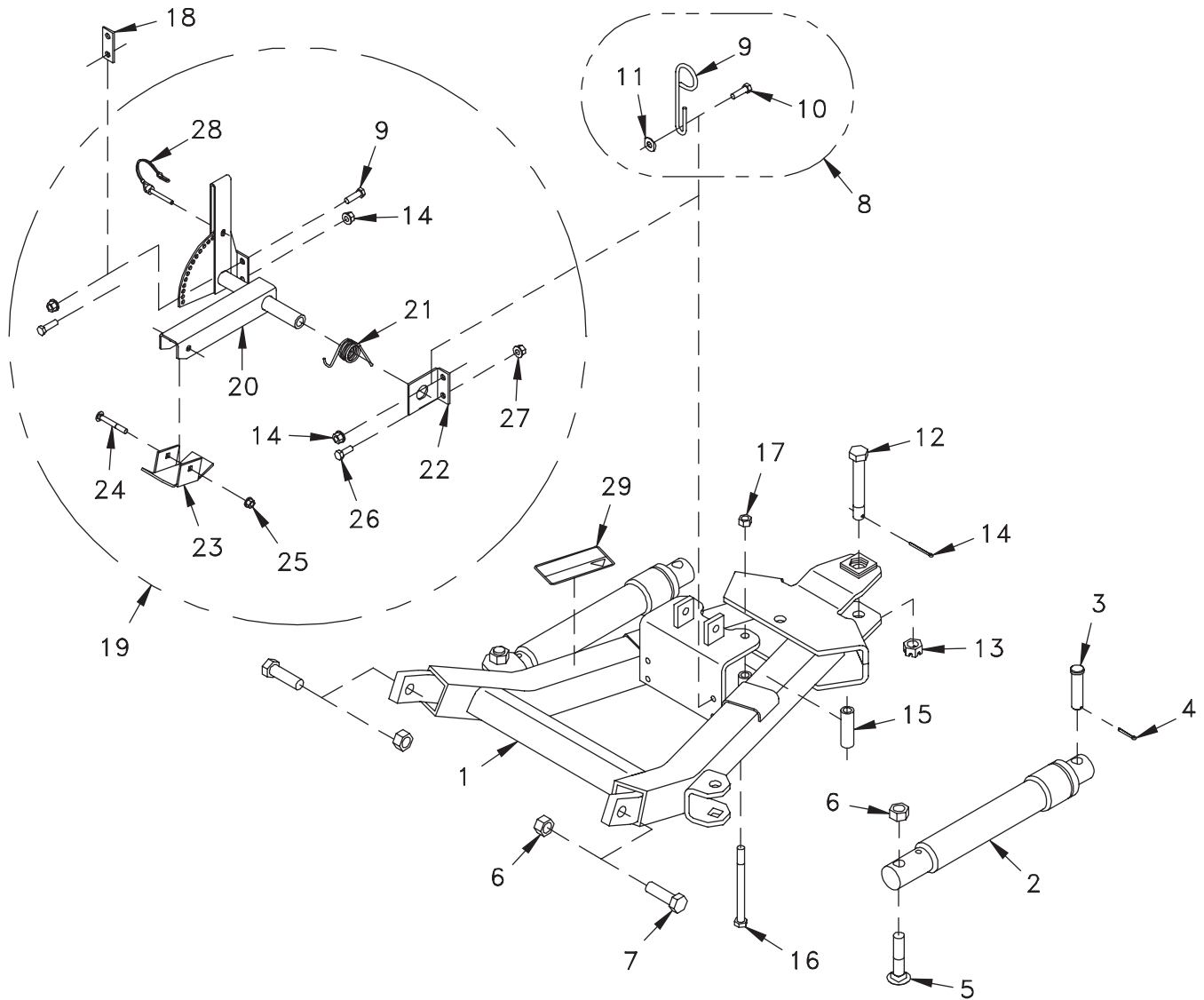
25012968 8' Moldboard Assembly
25012977 9' Moldboard Assembly

DWG. NO. 5454D

POLY C-PLOW 8802/8902, 8803/8903

REF. NO.	PART NUMBER	DESCRIPTION	QTY.	REF. NO.	PART NUMBER	DESCRIPTION	QTY.
1	25012196	8 Ft Poly Moldboard/Logo Decal Assembly	1	27	25013502	Snowplow Removal Decal	1
	25012195	9 Ft Poly Moldboard/Logo Decal Assembly	1	28	953-002-032	Clevis Pin 3/4 x 3	2
2	25011326	48" Cutting Edge For 8' Plow	2	29	035-42033	Cotter Pin 5/32 x 1 1/4	10
	25011328	54" Cutting Edge For 9' Plow	2	30	25011487	Cast Iron Skid Assembly	2
3	25011578	Bolt Kit, Lower Cutting Edge	1	31	25011478	Cast Iron Skid	2
4	25011437	Upper Cutting Edge 8 Ft. Plow	1	32	25010049	1" Skid Spacer	6
	25011436	Upper Cutting Edge 9 Ft. Plow	1	33	25010048	1/2" Skid Spacer	2
5	25011579	Bolt Kit, Upper Cutting Edge	1	34	952-004-071	Machine Bushing 1 5/32 x 1 1/2 x 10 Ga.	8
6	25011373	Spring Assembly	4	35	25010319	Klik Pin	2
7	953-002-045	Clevis Pin 5/8 x 6	4	36	25011400	2 1/2 x 6 Cylinder Weldment (See Sec. 10 Pg. 12)	1
8	953-002-044	Clevis Pin 5/8 x 4 3/8	4	37	25011447	Link	4
9	953-003-027	Slotted Spring Pin 3/16 x 1 1/4	6	38	956-005-025	90° Restricted Adapter Fitting 9/16 ORB x 9/16 JIC	1
10	952-004-058	Machine Bushing 1 9/32 x 1 7/8 x 14 Ga.	1	39	956-005-022	90° Adapter 9/16 ORB x 9/16 JIC	1
11	25011621	Bushing 4 19/32" Long Poly	2	40	25011449	Spacer, 6 15/16" Long	1
	25011620	Bushing 10 19/32" Long Poly	2	41	25011451	Pin, 9 9/16" Long	1
12	25011617	Bushing 2 19/32" Long Poly	4	42	25011452	Pin, 8 3/8" Long	1
13	25011338	Bushing 3 3/8" Long Poly	2	43	953-003-018	Slotted Spring Pin 1/4 x 1 1/4	1
14	25011618	Bushing 10 3/4" Long Poly	2	44	25011446	Pin, 8 3/16" Long	1
15	25011576	Bushing 1 9/16" Long Poly	2	45	25011445	Pin, 10 3/16" Long	1
16	25011619	Bushing 7 15/16" Long Poly	2	46	25011448	Spacer, 1" Long	2
17	25011622	Bushing 3 21/32" Long Poly	2	47	25011450	Spacer, 5 3/4" Long	1
18	25011341	Bushing 3 3/8" Long Steel	2	48	700-11704	Machine Screw 3/8-16 x 1 Slotted Truss Head	10
19	30009024	Slotted Spring Pin 3/8 x 2	2	49	952-002-013	Flat Washer, 3/8 Inch, Stainless Steel	10
20	25011611	Rib Weldment 8 Ft. Plow (Models 8803/8802/8801)	1	50	951-005-003	Lock Nut 3/8-16 Mac Lock	10
	25011612	Rib Weldment 9 Ft. Plow (Models 8903/8902/8901)	1	51	25010118	Red Blade Guide	2
21	25011597	LH Trip Edge Weld 8 Ft. Plow (Models 8803/8802/8801)	1	52	25011623	Marker Extension	2
	25011596	LH Trip Edge Weld 9 Ft. Plow (Models 8903/8902/8901)	1	53	030-16041	Carriage Bolt 5/16-18 x 3/4 Gr. 5	4
22	25011598	RH Trip Edge Weld 8 Ft. Plow (Models 8803/8802/8801)	1	54	950-001-113	Hex Head Cap Screw 5/16-18 x 3/4 Gr. 5	4
	25011595	RH Trip Edge Weld 9 Ft. Plow (Models 8903/8902/8901)	1	55	951-005-036	Lock Nut 5/16 Mac Lock	8
23	25011610	Bottom Frame Weld 8 Ft. Plow (Models 8803/8802/8801)	1	56	10304	Lock Nut 1/2-13 2-Way	9
	25011609	Bottom Frame Weld 9 Ft. Plow (Models 8903/8902/8901)	1	57	950-001-274	Hex Head Cap Screw 1/2-13 x 10 Gr. 5	1
24	25012625	Trip Pin-8 Ft. Plow	1	58	25012717	Pipe	1
	25012629	Trip Pin-9 Ft. Plow	1	59	25011613	Quadrant Weldment	1
25	25012375	End Cap	2	60	950-001-111	Hex Head Cap Screw 1/2-13 x 1 1/4 Gr. 5	8
26	25011684	Hiniker Decal	2				

PUSH FRAME ASSEMBLY

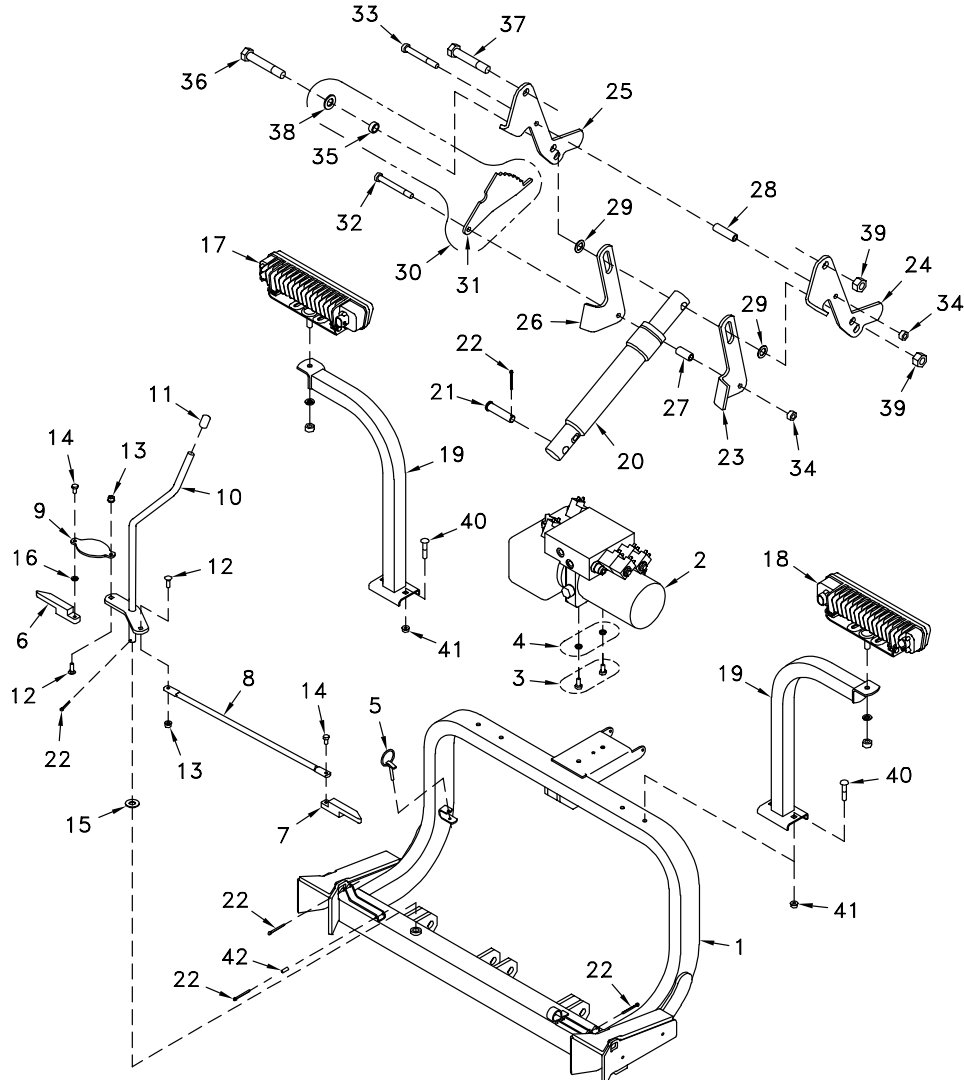


DWG. NO. 5296D

REF. NO.	PART NUMBER	DESCRIPTION	QTY.	REF. NO.	PART NUMBER	DESCRIPTION	QTY.
1	25012483	Push Frame Decal Assembly	1	16	031-06219	Hex Head Cap Screw 1/2-13 x 6 Gr. 5	2
2	25010523	1 1/2 x 10 SA Cylinder (See Sec. 10, Pg. 9)	2	17	10304	Lock Nut 1/2-13 2-Way	2
3	953-002-032	Clevis Pin 3/4 x 3 Gr. 5	2	18	25011486	Parking Stand Spacer	1
4	035-42033	Cotter Pin 5/32 x 1 1/4	2	19	25011050	Park Stand Kit	1
5	030-16198	Carriage Bolt 3/4-10 x 3 1/2 Gr. 5	2	20	25010800	Lever Weldment	1
6	951-005-037	Lock Nut 3/4-10 2-Way	4	21	25010795	Helical Torsion Spring	1
7	950-001-030	Hex Head Cap Screw 3/4-10 x 2 1/2 Gr. 5	2	22	25010798	Bracket	1
8	25011076	Hose Loop Kit	1	23	25010801	Stand Foot	1
9	25011075	Hose Loop	1	24	950-003-074	Carriage Bolt 5/16-18 x 2 1/2 Gr. 5	1
10	950-001-106	Hex Head Cap Screw 3/8-16 x 1 1/4 Gr. 5	3	25	951-005-036	Lock Nut 5/16-18 Mac Lock	1
11	25011074	Flanged Washer 3/8 Inch	1	26	950-001-105	Hex Head Cap Screw 3/8-16 x 1 Gr. 5	1
12	25012614	Drilled Bolt 3/4-10 x 5 Gr. 5	1	27	951-005-003	Lock Nut 3/8-16 Mac	4
13	034-00136	Slotted Nut 3/4-10	1	28	25010797	Tab Lock Pin 1/4 x 2	1
14	953-001-008	Cotter Pin 3/16 x 1 3/4	1	29	25010697	Caution Decal	1
15	25011477	2 13/16" Long Bushing	2				

SEC
10

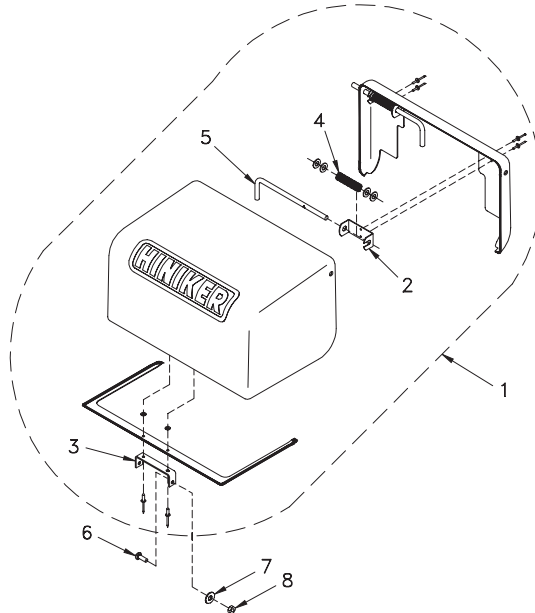
LIFT FRAME ASSEMBLY



DWG. NO. 5264E

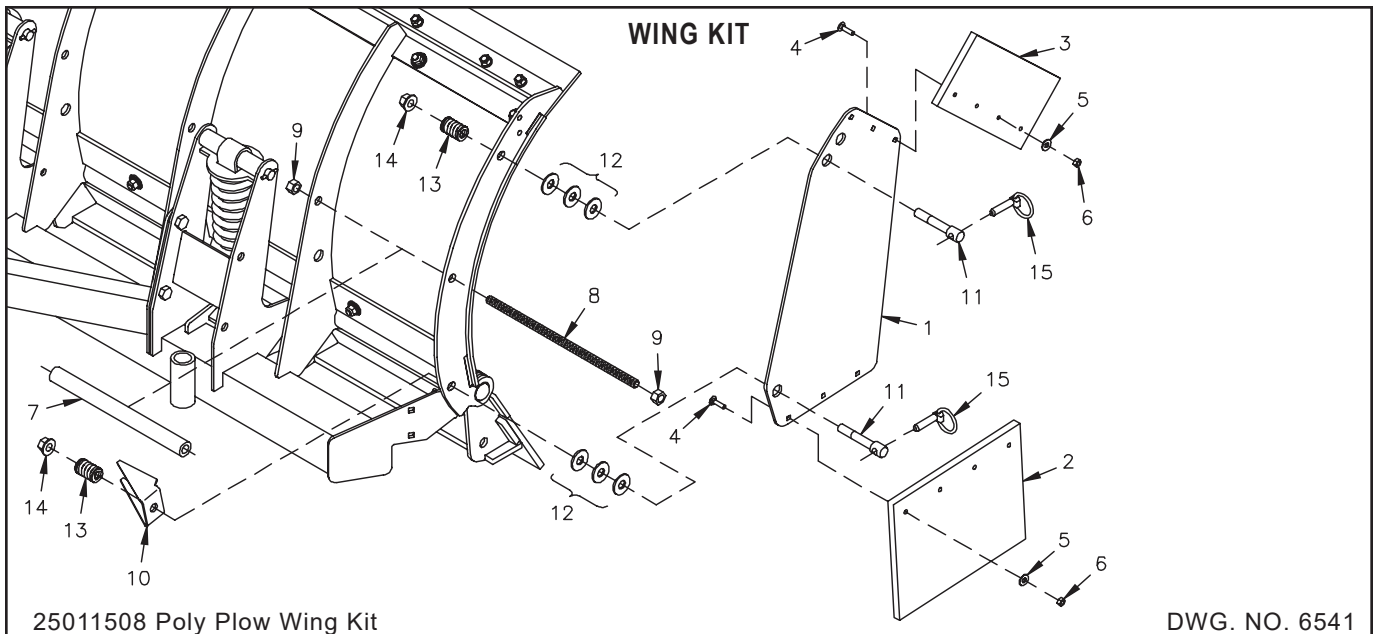
REF. NO.	PART NUMBER	DESCRIPTION	QTY.	REF. NO.	PART NUMBER	DESCRIPTION	QTY.
1	25013338	Frame Weldment	1	21	953-002-032	Clevis Pin 3/4 X 3	1
2	25014328	Power Unit-KTI (See Sec. 10, P. 10)	1	22	035-42033	Cotter Pin 5/32 X 1 1/4	5
	25012647	Power Unit-SPX (See Sec. 10, P. 11)	1	23	25012396	RH Lower Link	1
3	950-001-089	Hex Head Cap Screw 3/8-16 X 3/4 Gr. 5	2	24	25012394	RH Upper Link	1
4	952-001-007	Lock Washer 3/8 Inch	2	25	25012393	LH Upper Link	1
5	703-00209	Klik Pin	1	26	25012395	LH Lower Link	1
6	25012959	LH Slider	1	27	25010114	Lower Link Spacer	1
7	25012960	RH Slider	1	28	25010211	Upper Link Spacer	1
8	25012961	Long Tie Rod	1	29	952-004-003	Machinery Bushing 25/32 X 1 1/4 X .075	2
9	25013157	Short Latch Link	1	30	25011986	Stop Plate Kit (Includes Lock Nut #39)	1
10	25012962	Latch Lever Weldment	1	31	25011984	Stop Plate	1
11	25011230	Vinyl Cap	1	32	950-001-301	Hex Head Cap Screw 1/2-13 X 4 1/4 Gr. 5	1
12	030-16042	Carriage Bolt 5/16-18 X 1" Gr. 5	2	33	950-001-124	Hex Head Cap Screw 1/2-13 X 4 Gr. 5	1
13	951-005-036	Lock Nut 5/16-18 Mac Lock	2	34	10304	Lock Nut 1/2-13, 2-Way	2
14	950-011-042	Hex Head Cap Screw 5/16-18 X 3/4, Nylon Dri-Lock	2	35	25011885	Bushing	1
15	952-003-003	SAE Flat Washer 5/8 Inch	1	36	950-001-311	Hex Head Screw 3/4-10X4 1/2 Gr. 5, 1 1/4" Thd Lgth	1
16	033-12007	SAE Flat Washer 5/16 Inch	1	37	950-001-310	Hex Head Screw 3/4-10X4 1/4 Gr. 5, 1 1/4" Thd Lgth	1
17	25014164	LH Led Headlight (See Sec. 10, P. 15)	1	38	033-12013	SAE Flat Washer 3/4 Inch	1
	25013250	LH Composite Headlight (See Sec. 10, P. 16)	1	39	951-005-037	Lock Nut 3/4-10, 2-Way	2
18	25014165	RH Led Headlight (See Sec. 10, P. 15)	1	40	950-003-070	Carriage Bolt 3/8-16 X 2 Gr. 5	4
	25013251	RH Composite Headlight (See Sec. 10, P. 16)	1	41	951-005-003	Lock Nut 3/8-16 Mac Lock	4
19	25011334	Light Bracket Weldment	2	42	30008816	Slotted Spring Pin 1/4 X 3/4	1
20	25011402	1 3/4 X 9 Cylinder (See Sec. 10, P. 9)	1				

POWER UNIT COVER ASSEMBLY



DWG. NO. 5559

REF. NO.	PART NUMBER	DESCRIPTION	QTY.	REF. NO.	PART NUMBER	DESCRIPTION	QTY.
1	25011070	Cover Assembly (Includes Items 2-5)	1	5	25011071	Rod	2
2	25011073	Clevis	2	6	031-10657	Machine Screw 1/4-20 x 3/4 Slotted Round Head	2
3	25011072	Clevis	1	7	952-002-011	Flat Washer, 1/4 Inch	2
4	25010717	Compression Spring	2	8	060954	Lock Nut 1/4-20 Nylon Insert	2

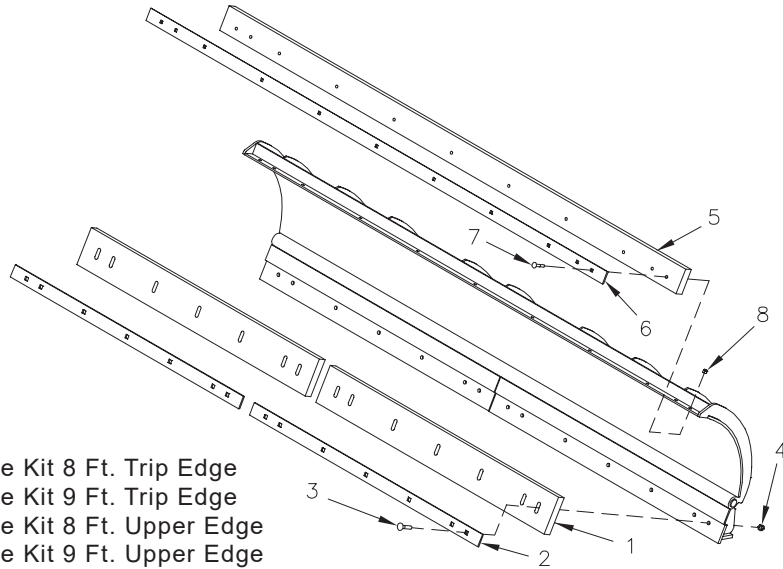


25011508 Poly Plow Wing Kit

DWG. NO. 6541

REF. NO.	PART NUMBER	DESCRIPTION	QTY.	REF. NO.	PART NUMBER	DESCRIPTION	QTY.
1	25011502	Wing Blank	2	9	10304	Lock Nut 1/2-13, 2-Way	4
2	25010840	Lower Wing Rubber	2	10	25011503	Gusset	2
3	25010841	Upper Wing Rubber	2	11	25011504	Quick Attach Bolt	4
4	030-12020	Carriage Bolt 1/4-20 x 1 Gr. 5	12	12	952-002-005	Flat Washer 1/2 Inch	16
5	952-002-011	Flat Washer 1/4 Inch	12	13	25011506	Compression Spring	4
6	951-005-089	Lock Nut 1/4-20 2-Way	12	14	951-005-055	Lock Nut 1/2-13 Mac Lock	4
7	25012734	Pipe	2	15	25011577	Lynch Pin 7/16 x 1 3/4	4
8	25012733	Threaded Rod	2				

RUBBER CUTTING EDGES

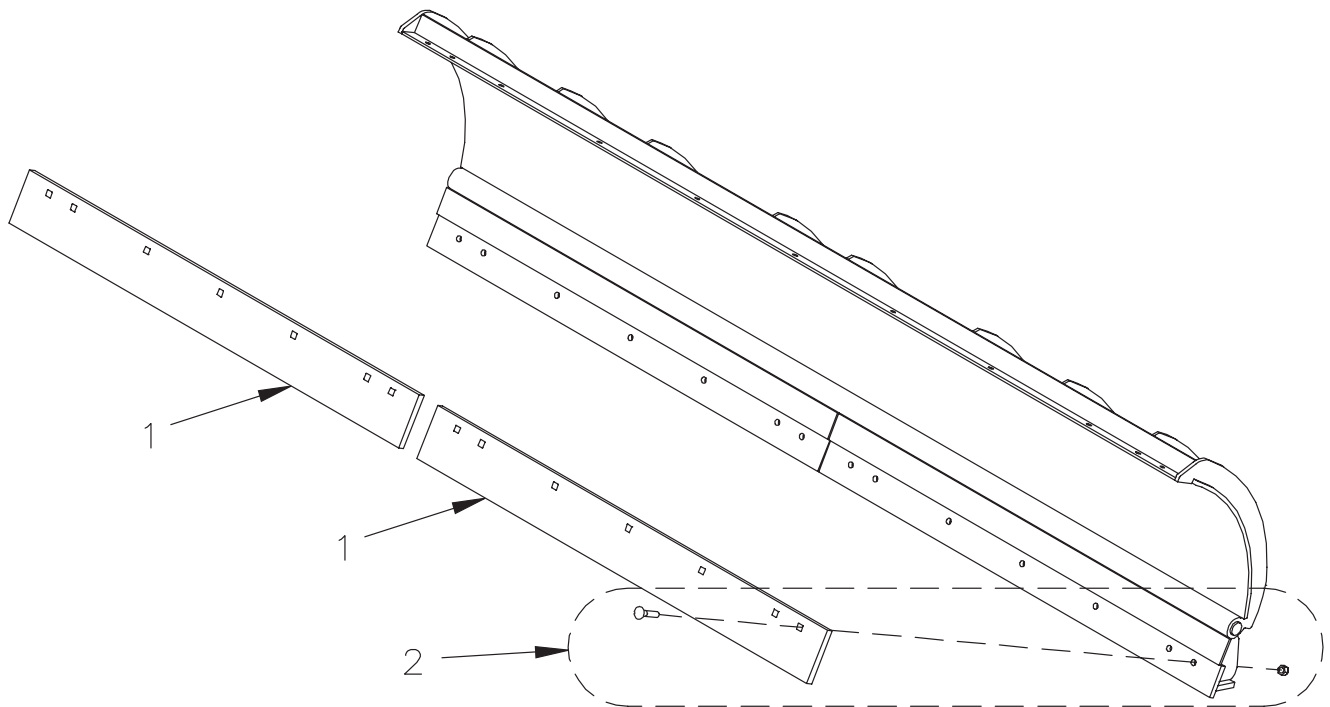


- 25011702 Rubber Cutting Edge Kit 8 Ft. Trip Edge
- 25011703 Rubber Cutting Edge Kit 9 Ft. Trip Edge
- 25011704 Rubber Cutting Edge Kit 8 Ft. Upper Edge
- 25011705 Rubber Cutting Edge Kit 9 Ft. Upper Edge

DWG. NO. 5683

REF. NO.	PART NUMBER	DESCRIPTION	QTY.	REF. NO.	PART NUMBER	DESCRIPTION	QTY.
1	25011770	48" Rubber Cutting Edge For 8' Plow	2	5	25012020	Rubber Cutting Edge 8 Ft.	1
	25011773	54" Rubber Cutting Edge For 9' Plow	2		25012021	Rubber Cutting Edge 9 Ft.	1
2	25011772	Strap 8 Ft. Trip Edge Plow	2	6	25011766	Strap 8 Ft.	1
	25011775	Strap 9 Ft. Trip Edge Plow	2		25011769	Strap 9 Ft.	1
3	030-16136	Carriage Bolt 1/2-13 x 2 1/2 Gr. 5	14	7	950-003-070	Carriage Bolt 3/8-16 x 2 Gr. 5	11
4	951-003-009	Lock Nut 1/2 Nylon Insert	14	8	951-003-002	Lock Nut 3/8-16 Nylon Insert	11

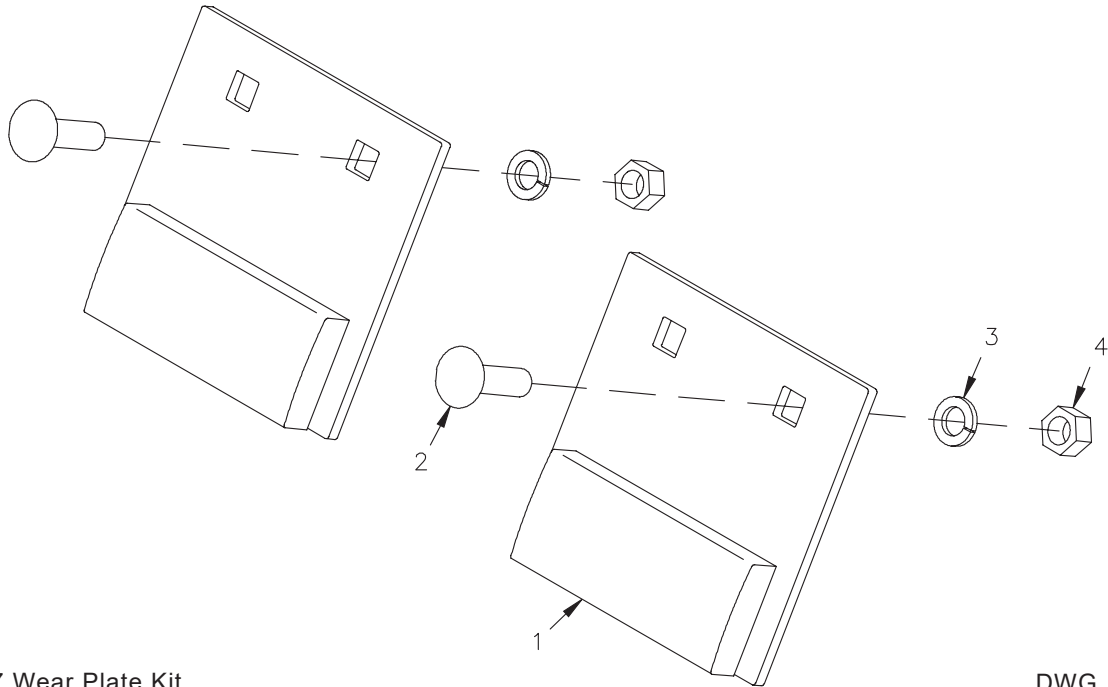
1/2" THICK CUTTING EDGES



DWG. NO. 5891

REF. NO.	PART NUMBER	DESCRIPTION	QTY.	REF. NO.	PART NUMBER	DESCRIPTION	QTY.
1	25012027	48" Cutting Edge For 8' Plow, 1/2" Thick	2	2	25011578	Cutting Edge Bolt Kit	1
	25012029	54" Cutting Edge For 9' Plow, 1/2" Thick	2				

WEAR PLATE KIT

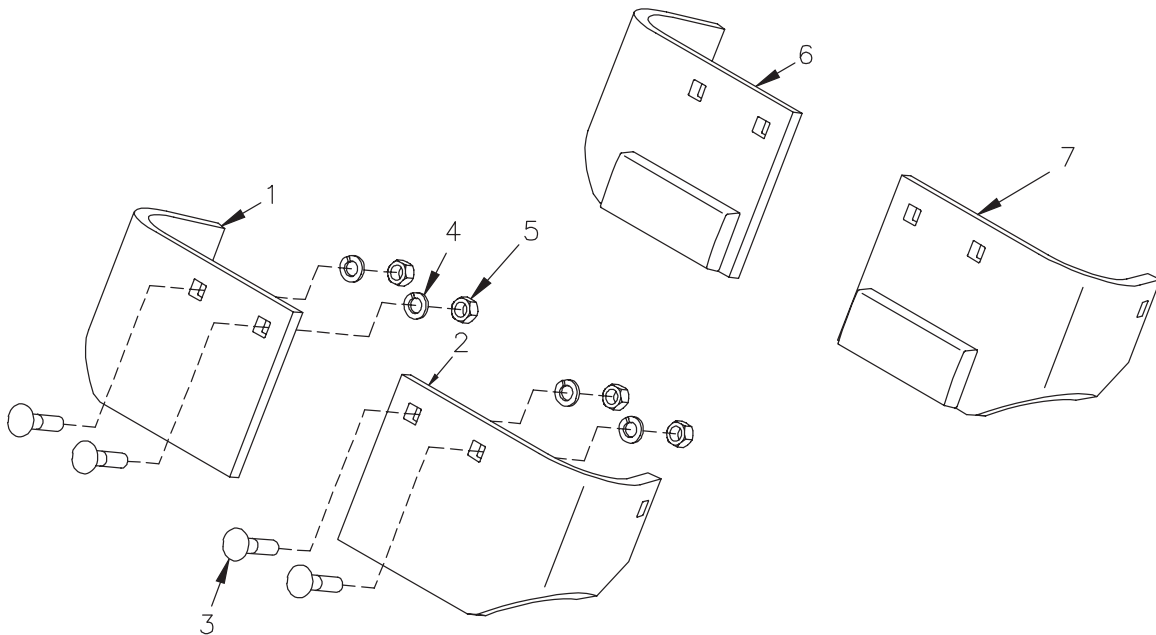


25012587 Wear Plate Kit

DWG. NO. 6331

REF. NO.	PART NUMBER	DESCRIPTION	QTY.	REF. NO.	PART NUMBER	DESCRIPTION	QTY.
1	25012588	Wear Plate Weldment	2	3	952-001-004	Lock Washer 1/2 Inch	4
2	950-003-058	Carriage Bolt 1/2-13 x 1 3/4 Gr. 5	4	4	951-001-007	Hex Nut 1/2-13	4

CURB GUARD KITS

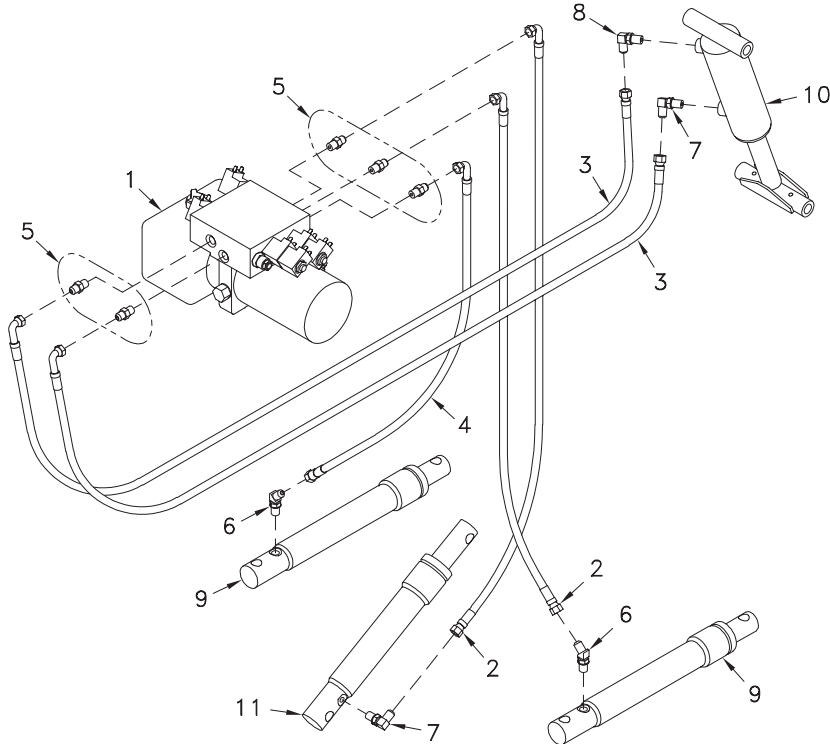


25011695 Curb Guard Kit - Standard
25012726 Curb Guard Kit With Wear Bars

DWG. NO. 5486

REF. NO.	PART NUMBER	DESCRIPTION	QTY.	REF. NO.	PART NUMBER	DESCRIPTION	QTY.
1	25011712	RH Curb Guard - Standard	1	5	951-001-007	Hex Nut 1/2-13	4
2	25011713	LH Curb Guard - Standard	1	6	25012722	RH Curb Guard With Wear Bar	1
3	950-003-051	Carriage Bolt 1/2-13 x 2 1/4 Gr. 5	4	7	25012723	LH Curb Guard With Wear Bar	1
4	952-001-004	Lock Washer 1/2 Inch	4				

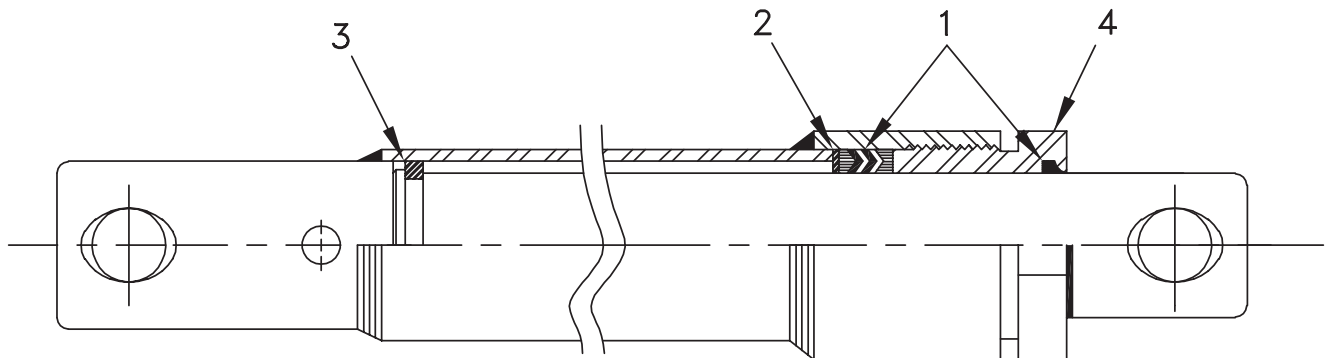
HYDRAULIC OVERVIEW



DWG. NO. 5265A

REF. NO.	PART NUMBER	DESCRIPTION	QTY.	REF. NO.	PART NUMBER	DESCRIPTION	QTY.
1	25014328	Power Unit-KTI (See Sec. 10, P. 10)	1	6	956-005-023	45° Adapter 9/16 ORB X 9/16 JIC	2
	25012647	Power Unit-SPX (See Sec. 10, P. 11)	1	7	956-005-022	90° Adapter 9/16 ORB X 9/16 JIC	2
2	957-021-002	Hydraulic Hose Assembly 1/4 X 33	2	8	956-005-025	90° Restricted Adapter 9/16 ORB X 9/16 JIC	1
3	957-021-000	Hydraulic Hose Assembly 1/4 X 66	2	9	25010523	1 1/2 X 10 Hydraulic Cylinder (See Sec. 10, P. 9)	2
4	957-021-001	Hydraulic Hose Assembly 1/4 X 54	1	10	25011400	2 1/2 X 6 Hydraulic Cylinder (See Sec. 10, P. 12)	1
5	206-01024	Straight Adapter 9/16 ORB X 9/16 JIC	5	11	25011402	1 3/4 X 9 Hydraulic Cylinder (See Sec. 10, P. 9)	1

1 1/2 x 10 AND 1 3/4 x 9 HYDRAULIC CYLINDER

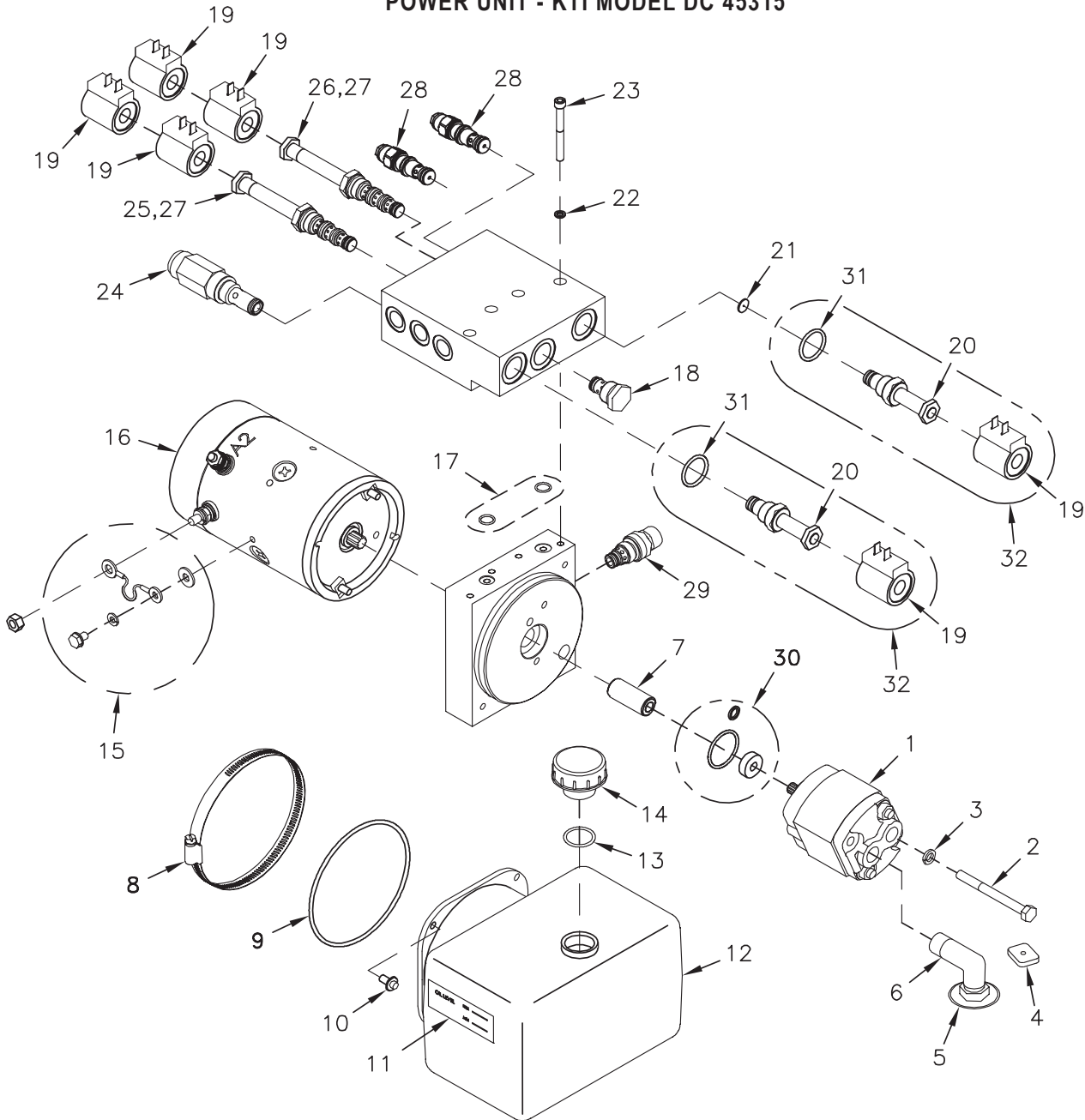


25010523 1 1/2 x 10 Hydraulic Cylinder
 25011402 1 3/4 x 9 Hydraulic Cylinder

DWG. NO. 5883

REF. NO.	PART NUMBER	DESCRIPTION	QTY.	REF. NO.	PART NUMBER	DESCRIPTION	QTY.
1	25010464	Seal Kit - 1 1/2" Rod	1	3	25010017	Guide Ring - 1 1/2" Rod	1
	25010711	Seal Kit - 1 3/4" Rod	1		25010707	Guide Ring - 1 3/4" Rod	1
2	25010016	Seat Ring - 1 1/2" Rod	1	4	25010018	Packing Nut - 1 1/2" Rod	1
	25010706	Seat Ring - 1 3/4" Rod	1		25010708	Packing Nut - 1 3/4" Rod	1

POWER UNIT - KTI MODEL DC 45315



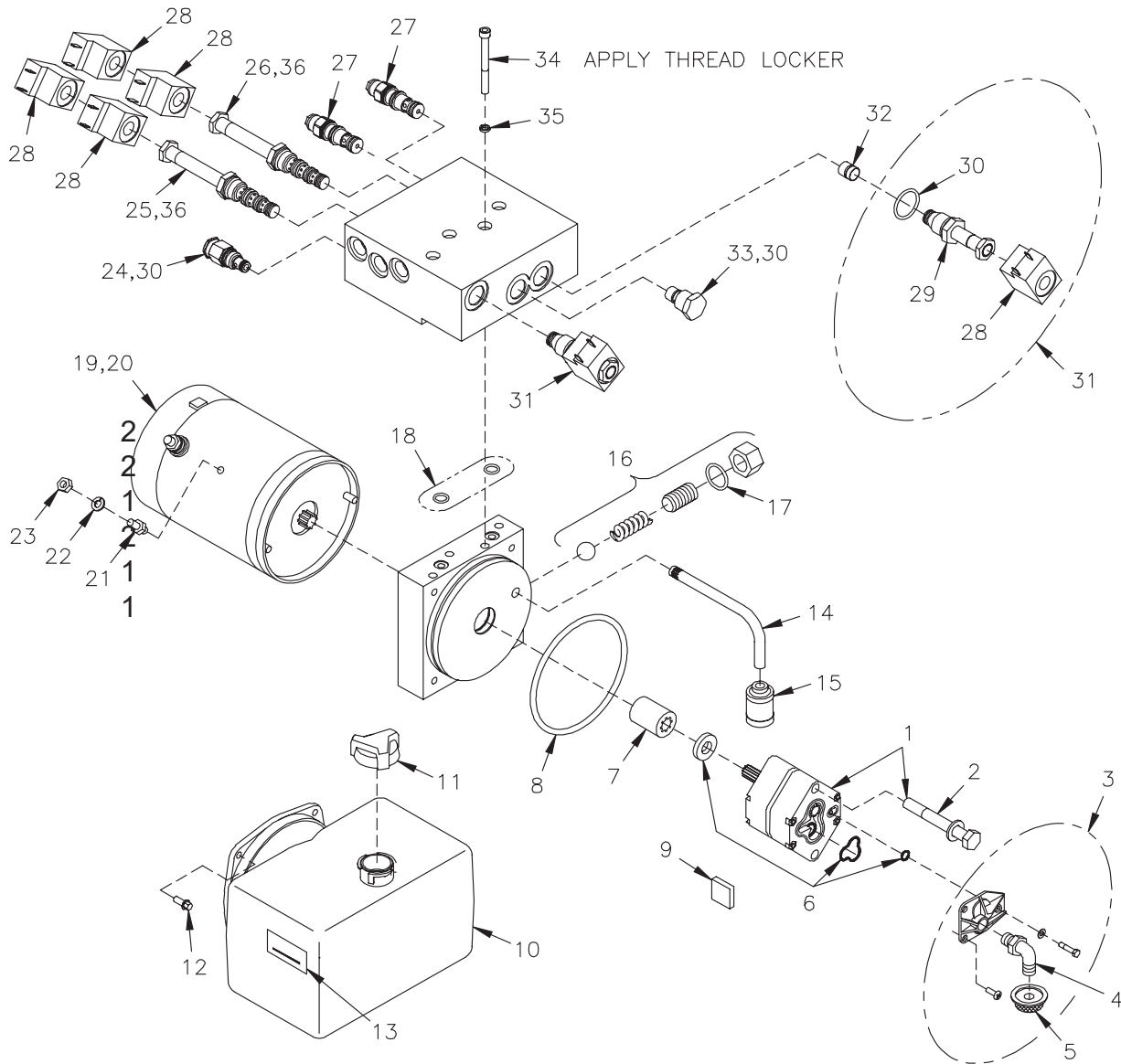
25014328 Power Unit - KTI Model DC 45315

DWG. NO. 7826

REF. NO.	PART NUMBER	DESCRIPTION	QTY.	REF. NO.	PART NUMBER	DESCRIPTION	QTY.
1	25014127	Pump Assembly	1	17	25014188	O-Ring Kit	1
2	950-001-370	Hex Head Cap Screw 5/16-24 X 3 1/4 Gr. 5	2	18	25014121	Check Valve	1
3	952-001-002	Lock Washer 5/16 Inch	2	19	25014119	Solenoid Coil 10V	6
4	25010220	Plumbing Magnet	1	20	25010544	Cartridge Valve	2
5	25014130	Inlet Strainer	1	21	25014120	Orifice Disc .062 Dia.	1
6	25014129	3/8 NPT Elbow Aluminum	1	22	952-004-080	Lock Washer 1/4 X .363 OD	4
7	25014131	Coupler	1	23	950-004-128	Socket Head Cap Screw 1/4-20 X 2 1/4	4
8	865-001-081	Hose Clamp 5 1/2 Inch	1	24	25014125	Relief Valve	1
9	25014128	O-Ring 113mm ID X 4mm CS	1	25	25011525	Spool Valve - Closed Center	1
10	950-002-020	Hex Head Flanged Whiz Lock Bolt 1/4-20 X1/2	4	26	25012242	Spool Valve - Motor Center	1
11	25014124	Oil Level Label	1	27	25013106	Seal Kit	1
12	25014132	Reservoir	1	28	25012679	Counterbalance Valve	2
13	62502240	Breather O-Ring	1	29	25014118	Relief Valve	1
14	25014133	Breather Cap	1	30	25014331	Pump Seal Kit	1
15	25014320	Ground Wire Kit	1	31	25010992	O-Ring Kit	1
16	25014115	Motor 12VDC	1	32	25011654	Release Valve Kit	2

SEC
10

POWER UNIT - SPX MODEL DB-7885

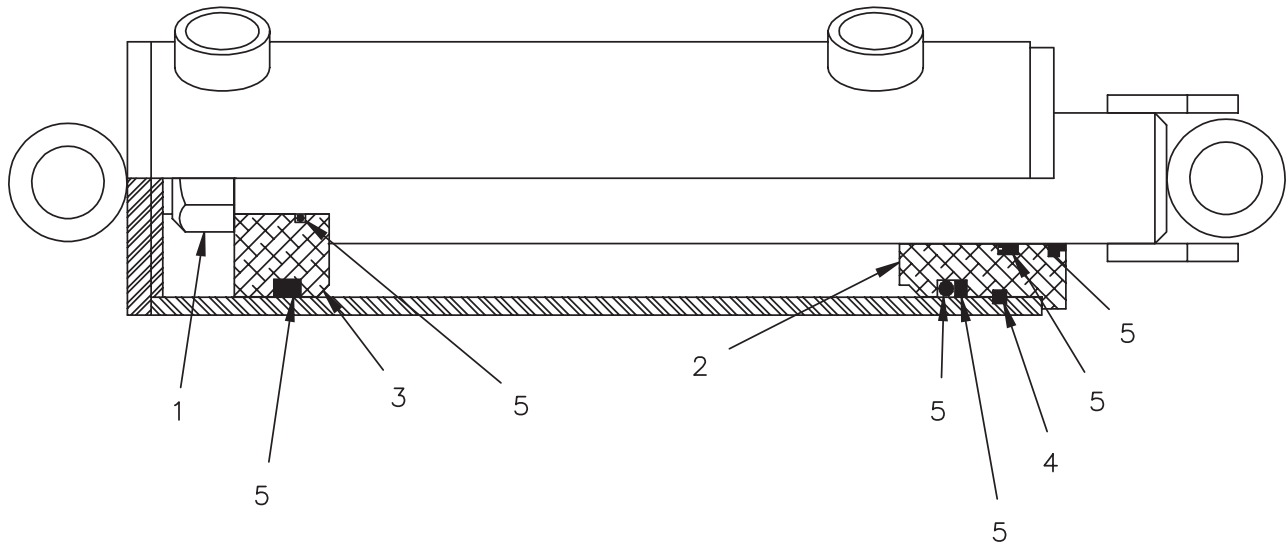


25012647 Power Unit - SPX Model DB-7885

DWG. NO. 6525A

REF. NO.	PART NUMBER	DESCRIPTION	QTY.	REF. NO.	PART NUMBER	DESCRIPTION	QTY.
1	25010734	Pump Assembly	1	19	25010230	Motor 12V DC	1
2	950-001-327	Hex Head Cap Screw 5/16-24 x 3 Gr. 8	2	20	25010337	Motor Brush Kit	1
3	25010332	Inlet Plumbing Kit	1	21	25012673	Ground Stud 1/4-20	1
4	25010244	Plumbing Elbow	1	22	952-001-001	Lock Washer 1/4 Inch	1
5	25010221	Filter	1	23	951-001-003	Hex Nut 1/4-20	1
6	25010334	Pump O-Ring Kit	1	24	25010985	Crossover Relief Valve	1
7	25010214	Coupling	1	25	25011525	Spool Valve-Closed Center	1
8	25010236	O-Ring	1	26	25012242	Spool Valve-Motor Center	1
9	25010220	Plumbing Magnet	1	27	25012679	Counterbalance Valve	2
10	25010738	Plastic Tank	1	28	25011667	Solenoid Coil	6
11	25010217	Plastic Breather	1	29	25010544	Cartridge Release Valve	2
12	950-004-071	Machine Screw #12-24 x 1/2 Hex Washer Head	4	30	25010992	O-Ring Kit	1
13	25010436	Decal - Fill Line	1	31	25011654	Release Valve Kit	2
14	25012735	Return Tube	1	32	25012736	Orifice With O-Ring	1
15	25010745	Return Tube Filter	1	33	25010746	Check Valve	1
16	25010330	Adjustable Relief Valve Kit	1	34	950-004-095	Socket Head Cap Screw 1/4-20 x 2 1/2	4
17	25010518	Adjustable Relief Valve O-Ring	1	35	952-004-080	Lock Washer 1/4 Inch	4
18	25013881	Manifold O-Ring Kit	1	36	25013106	Seal Kit	1

2 1/2 x 6 HYDRAULIC CYLINDER

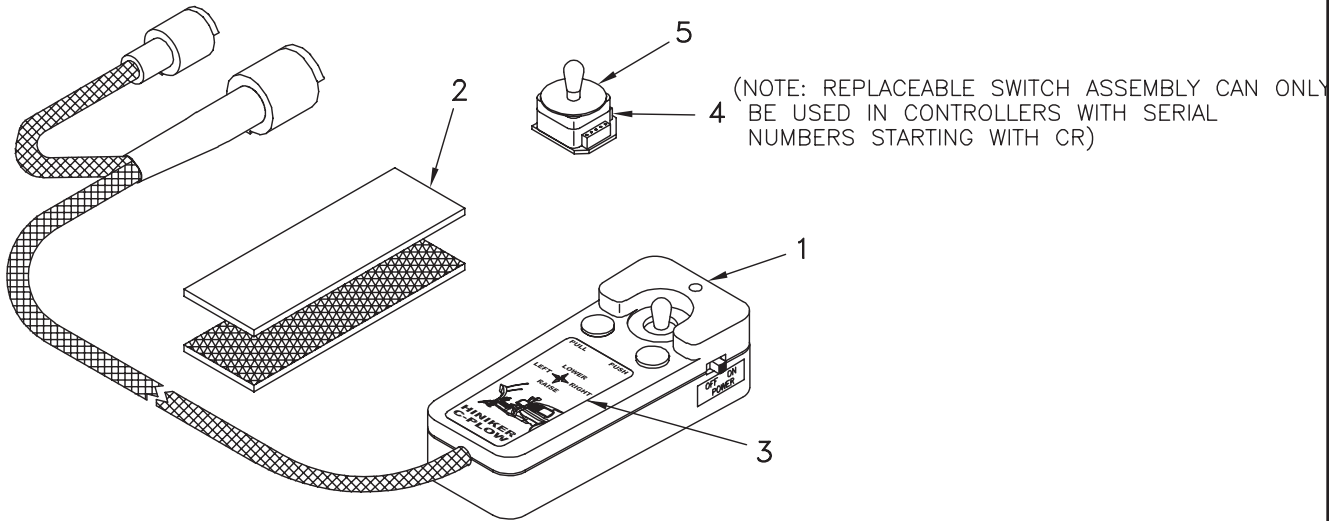


25011400 2 1/2 x 6 Hydraulic Cylinder

DWG. NO. 5266

REF. NO.	PART NUMBER	DESCRIPTION	QTY.	REF. NO.	PART NUMBER	DESCRIPTION	QTY.
1	25010970	Nut	1	4	25011125	Retaining Ring	1
2	25011117	Head	1	5	25011128	Repair Kit	1
3	25011118	Piston	1				

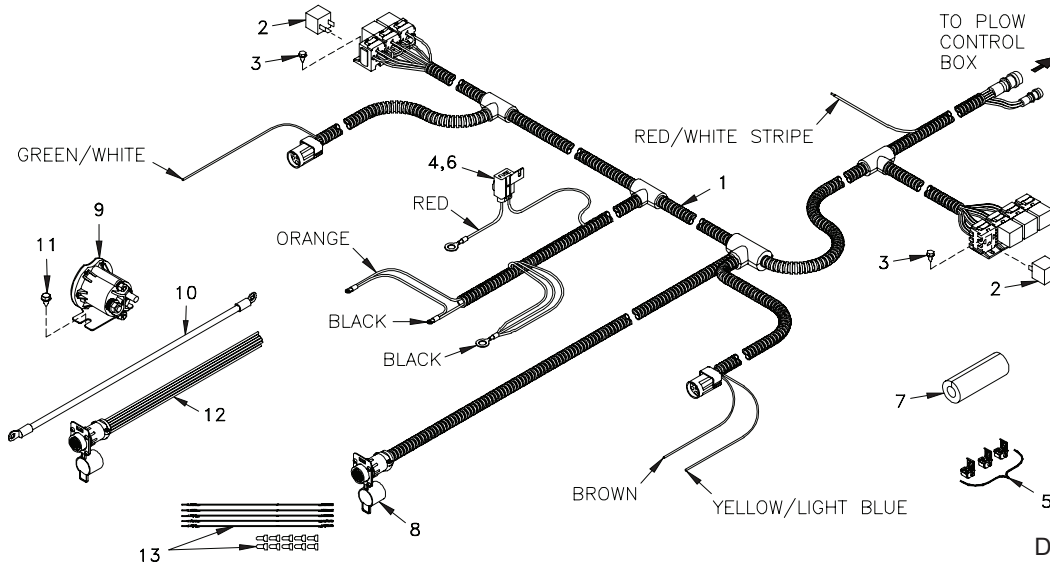
JOYSTICK CONTROLLER



DWG. NO. 5927

REF. NO.	PART NUMBER	DESCRIPTION	QTY.	REF. NO.	PART NUMBER	DESCRIPTION	QTY.
1	36014022	Joystick W/Replaceable Switch, C-Plow	1	4	36014019	Replaceable Switch Assembly	1
2	39108005	Hook & Loop Assembly	1	5	36716033	Gasket	1
3	39302143	Decal, C-Plow Joystick Top, 2 Sided	1				

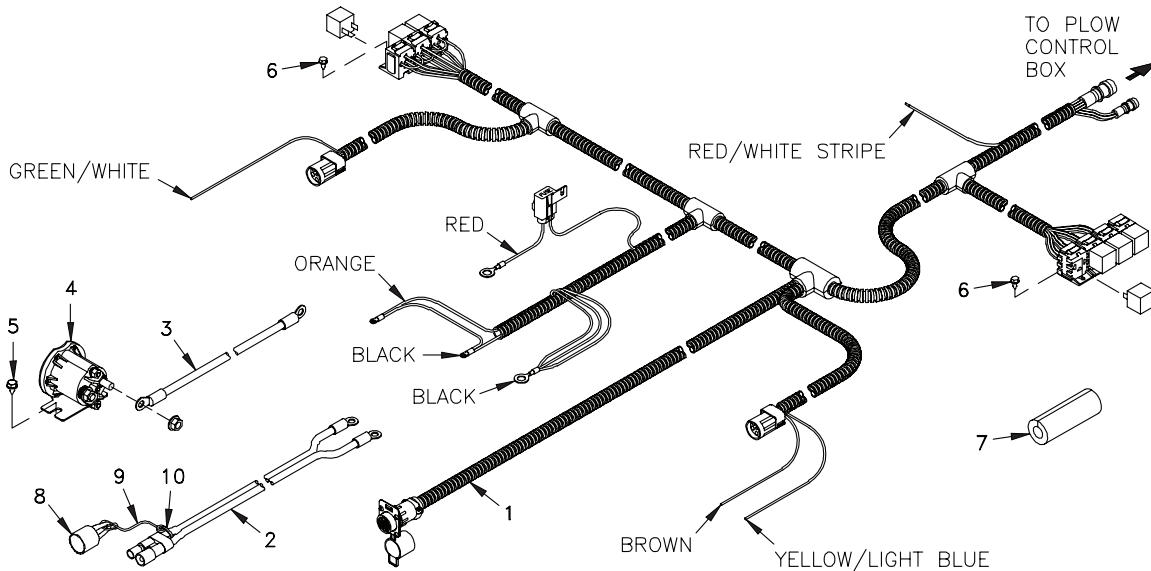
UNDERHOOD WIRING HARNESS



DWG. NO. 6749

REF. NO.	PART NUMBER	DESCRIPTION	QTY.	REF. NO.	PART NUMBER	DESCRIPTION	QTY.
1	38813097	Underhood Harness With 16 Pin CPC (Includes Relays And Fuse)	1	7	39107001	Foam Grommet 4" Long	1
2	38350010	Headlight/Accessory Relay	7	8	36716043	Dust Cap	1
3	031-30078	S-Tap Screw #8-18 x 1/2 Slotted Hex Head	4	9	38350015	Motor Solenoid Sealed	1
4	39207031	10 Amp Fuse	1	10	38813012	Red Solenoid Cable 4 Ga. 24 Inch	1
5	38610104	Sealed Quick Connect Cover, Fuse Holder	1	11	950-005-004	S-Tap Screw 1/4-20 x 1/2 Hex Washer Head	2
6	38400012		1	12	38813106	Repair Pigtail, AMP CPC Grill	A/R
				13	38813108	Repair Kit, AMP CPC (5 Wires)	A/R

UNDERHOOD WIRING REMOUNT KIT W/CPC

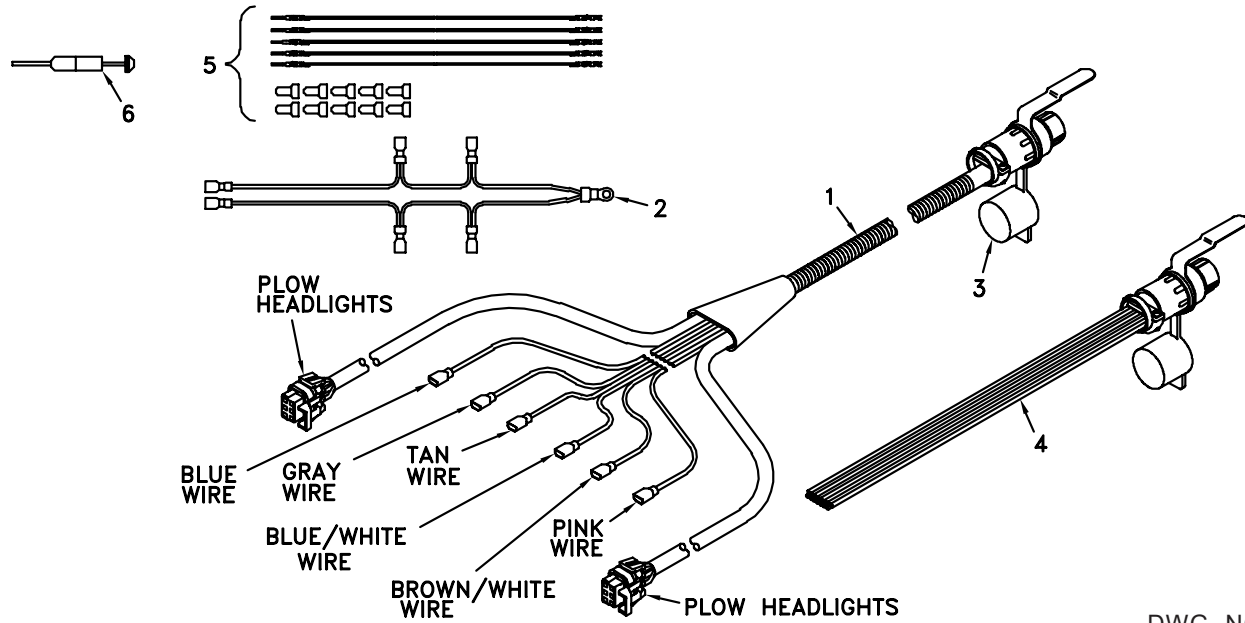


25013295 Remount Kit

DWG. NO. 6993

REF. NO.	PART NUMBER	DESCRIPTION	QTY.	REF. NO.	PART NUMBER	DESCRIPTION	QTY.
1	38813097	Underhood Harness W/16 Pin CPC	1	6	031-30078	Self Tapping Screw #8-18 x 1/2 Slotted Hex Head	4
2	38813066	Cable Battery Power 9 Ft	1	7	39107001	Foam Grommet	1
3	38813012	Cable, Solenoid 24"	1	8	36716002	Dust Cap	1
4	38350015	Motor Solenoid	1	9	36716025	Nylon Lanyard 8"	1
5	950-005-004	Self Tapping Screw 1/4-20 x 1/2 Hex Washer Head	2	10	367-001-014	Cable Tie 8"	1

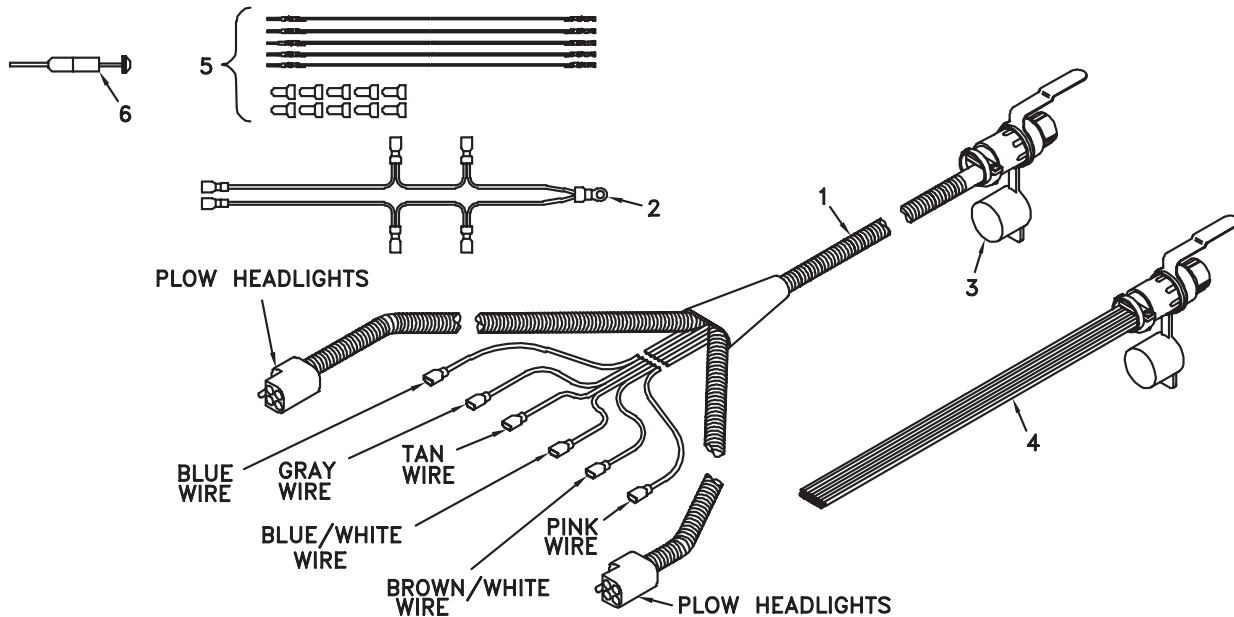
FLOW WIRING HARNESS - LED HEADLAMPS



DWG. NO. 7809

REF. NO.	PART NUMBER	DESCRIPTION	QTY.	REF. NO.	PART NUMBER	DESCRIPTION	QTY.
1	38813155	6 Function External Harness W/CPC Connector	1	4	38813107	Repair Pigtail, AMP CPC Plow	A/R
2	38813096	Ground Harness - 1/4" Ring	1	5	38813108	Repair Kit, AMP CPC (5 Wires)	A/R
	38813154	Ground Harness - 5/16" Ring	1	6	38640000	Pin/Socket Extraction Tool	1
3	36716042	Dust Cap	1				

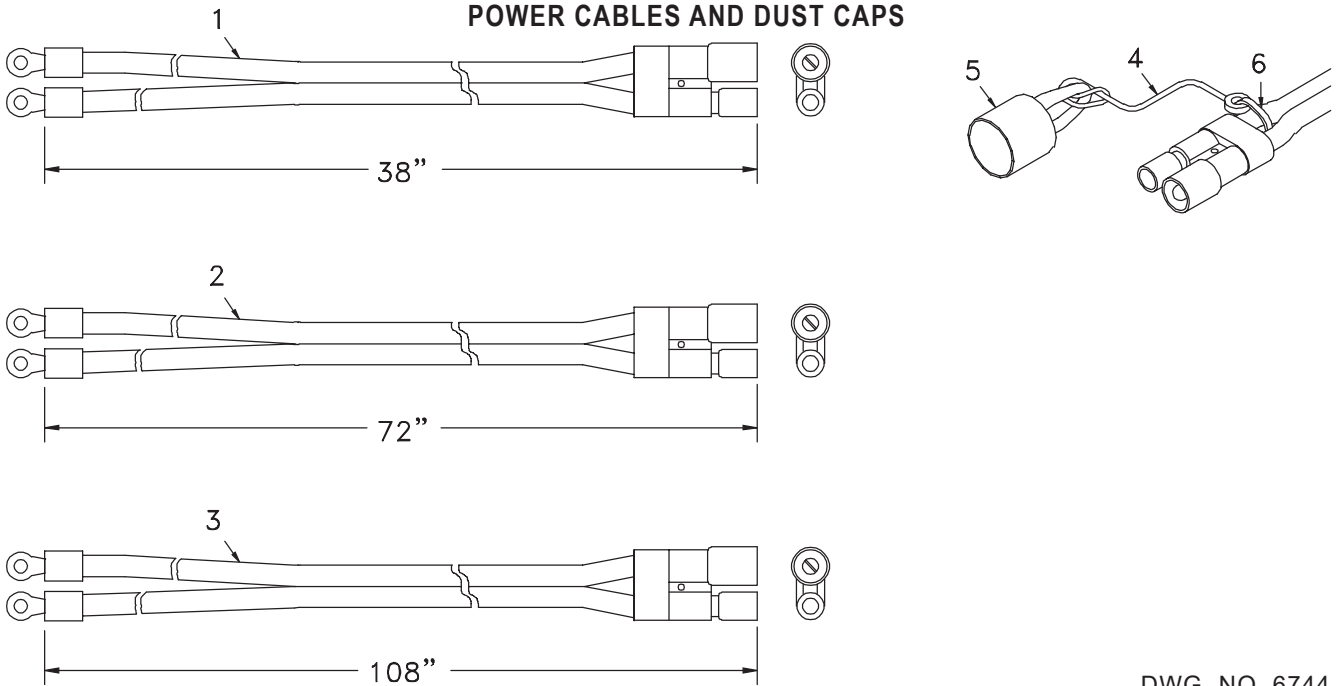
FLOW WIRING HARNESS- COMPOSITE HEADLAMPS



DWG. NO. 6745A

SEC 10	REF. NO.	PART NUMBER	DESCRIPTION	QTY.	REF. NO.	PART NUMBER	DESCRIPTION	QTY.
	1	38813098	6 Function External Harness W/CPC Connector	1	4	38813107	Repair Pigtail, AMP CPC Plow	A/R
	2	38813096	Ground Harness 1/4" Ring	1	5	38813108	Repair Kit, AMP CPC (5 Wires)	A/R
		38813154	Ground Harness 5/16" Ring	1	6	38640000	Pin/ Socket Extraction Tool	1
	36716042	Dust Cap	1					

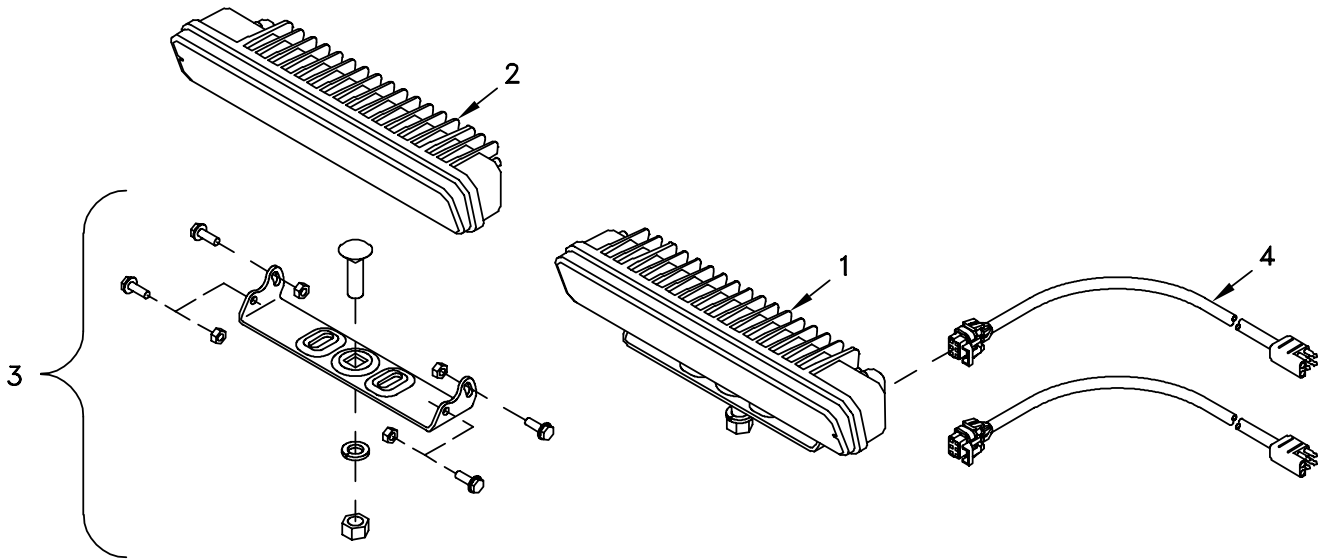
POWER CABLES AND DUST CAPS



DWG. NO. 6744

REF. NO.	PART NUMBER	DESCRIPTION	QTY.	REF. NO.	PART NUMBER	DESCRIPTION	QTY.
1	38812008	Battery Power Cable - Snow Plow	1	4	36716025	Nylon Lanyard 8"	A/R
2	38813007	Battery Power Cable - Truck 6 Ft.	1	5	36716002	Large Dust Cap	A/R
3	38813066	Battery Power Cable - Truck 9 Ft.	1	6	367-001-014	Cable Tie 8"	A/R

LED HEADLIGHTS

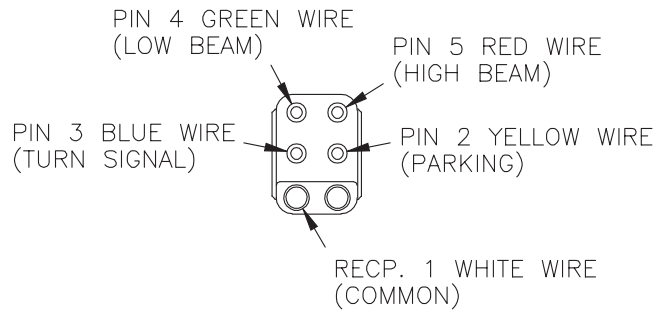
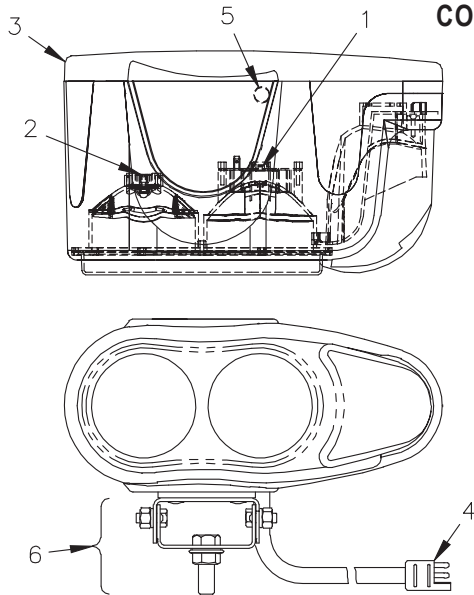


25014159 LED Headlight Pair (Items 1, 2, 3)

DWG. NO. 7810

REF. NO.	PART NUMBER	DESCRIPTION	QTY.	REF. NO.	PART NUMBER	DESCRIPTION	QTY.
1	25014164	LH Headlight	1	3	25014166	Headlamp Mounting Hardware for 1 Light	2
2	25014165	RH Headlight	1	4	38813159	Adapter Harness - LED Upfit	A/R

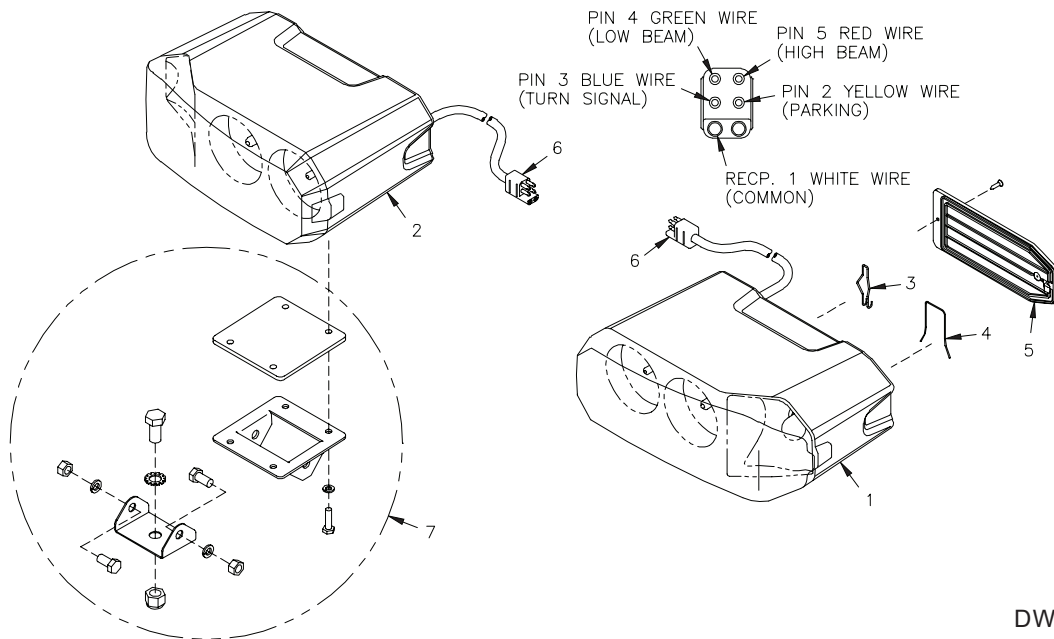
COMPOSITE HEADLAMPS



DWG. NO. 6628A

REF. NO.	PART NUMBER	DESCRIPTION	QTY.	REF. NO.	PART NUMBER	DESCRIPTION	QTY.
	25012793	LH Light Assembly	1	5	25012417	Conduit Clamp	1
	25012792	RH Light Assembly	1	6	25012850	Hardware Kit - Upper & Lower (For 2 Lights)	1
1	25012416	Spring Clip, High Beam	1		N/A	High Beam Headlight Bulb - One #H1 12V, 55W	1
2	25012415	Spring Clip, Low Beam	1		N/A	Low Beam Headlight Bulb - One #H7 12V, 55W	1
3	25012414	Back Panel, LH Light	1		N/A	Turn Signal/Parking Bulb - One #1157 Heavy Duty Double Contact 32/3 C.P.	1
	25012419	Back Panel, RH Light	1				
4	25012418	Wire Harness	1				

COMPOSITE HEADLAMPS



DWG. NO. 6899

REF. NO.	PART NUMBER	DESCRIPTION	QTY.	REF. NO.	PART NUMBER	DESCRIPTION	QTY.
1	25013250	LH Light Assembly	1	7	25013249	Hardware Kit-Upper & Lower (For 2 Lights)	1
2	25013251	RH Light Assembly	1		N/A	High Beam Headlight Bulb-One #H1 12V, 55W	1
3	25012416	Spring Clip, High Beam	1		N/A	Low Beam Headlight Bulb-One #H7 12V, 55W	1
4	25012415	Spring Clip, Low Beam	1		N/A	Turn Signal/Parking Bulb-One #1157 Heavy Duty Double Contact 32/3 C.P.	1
5	25013247	Back Panel	1				
6	25013248	Wire Harness	1				

SEC 10