

COMPACT TRACTOR LOADER SNOWPLOWS PARTS BOOK 2007 - 2022

SECTION 1 PLOW COMPONENTS
MODELS: 260, 270, 276

SECTION 2 PLOW ACCESSORIES

PARTS

Part Number 25012540 Rev. K

August 2021

Parts Books/Hiniker/25012540RevK

It is the policy of Hiniker Company to constantly improve its products whenever it is practical to do so.

Hiniker Company must therefore reserve the right to redesign or change its equipment or component parts thereof without incurring the obligation to install or furnish such changes on the equipment previously delivered.

INSTRUCTIONS FOR ORDERING PARTS

1. The item numbers in the illustrations correspond to the same item numbers in the description list. An assembly having a part number can be ordered. All other parts must be ordered individually. The quantity in the "number required" column is the number of parts used in this area of the machine. The term "A/R" for number required indicates "as required" where the quantity may vary. Order all parts by their part number and name. Do not use the reference number.
2. All references to left and right, front and rear apply to the machine as viewed from the rear of the machine, facing forward in the direction of travel.
3. Always mention the identification number of the model and serial numbers found on the name plate of the unit on which the part is to be used. Much delay and confusion can be avoided when correct numbers are specified on parts order and correspondence.

HINIKER COMPANY
58766 240th St.
MANKATO, MN 56001 USA
Phone: (800) 433-5620
E-Mail: hiniker@hiniker.com

SECTION 1

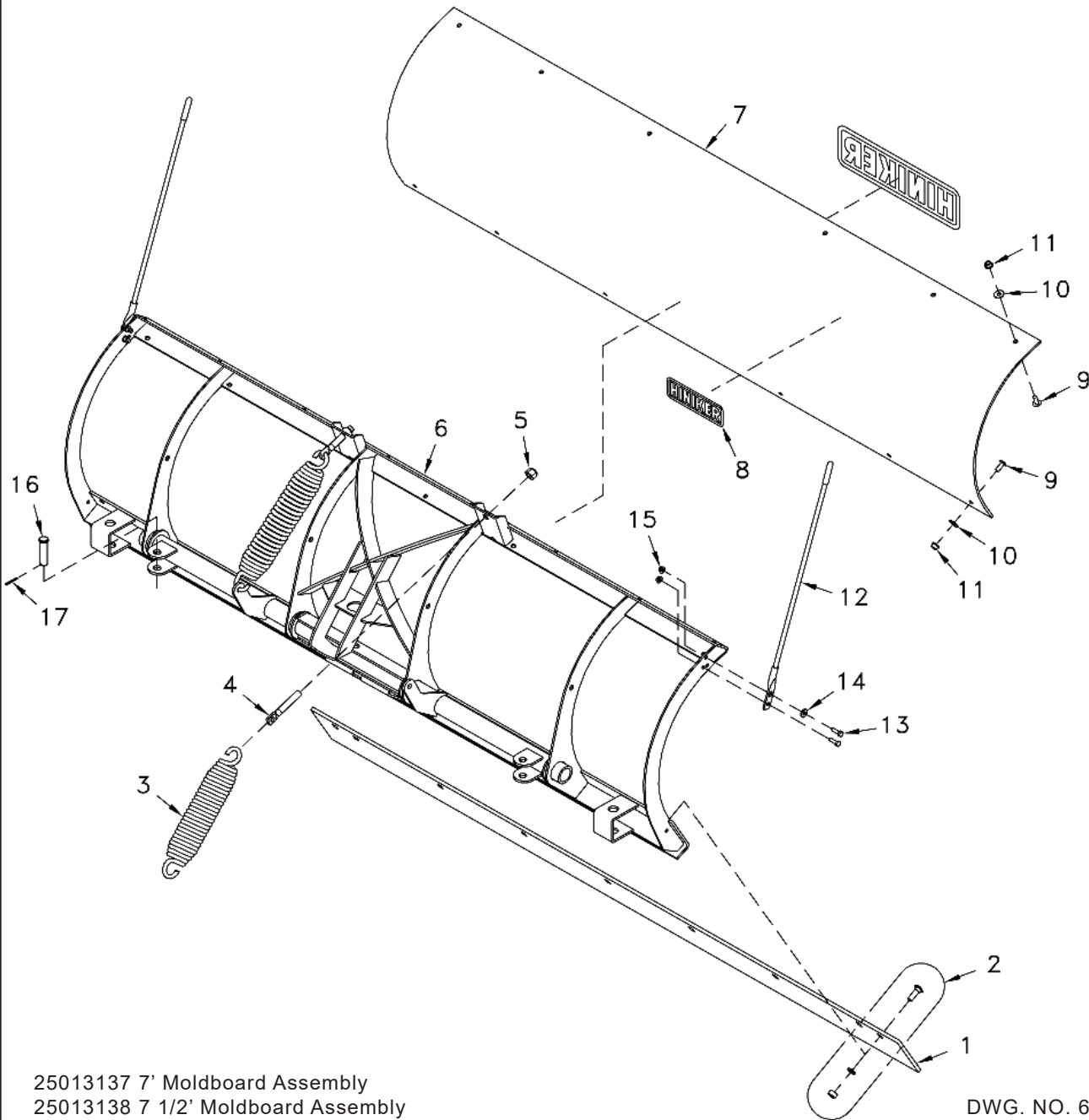
PLOW COMPONENTS

MODELS: 260, 270, 276

PAGE 2	MOLDBOARD ASSEMBLIES
PAGE 3	FRAME ASSEMBLY
PAGE 4	HYDRAULIC ANGLE KIT OPTION
PAGE 5	CROSSOVER RELIEF VALVE 1 1/2 X 10 HYDRAULIC CYLINDER
PAGE 6	MANUAL ANGLE KIT OPTION

TRACTOR LOADER SNOWPLOW

MOLDBOARD ASSEMBLIES



25013137 7' Moldboard Assembly
25013138 7 1/2' Moldboard Assembly

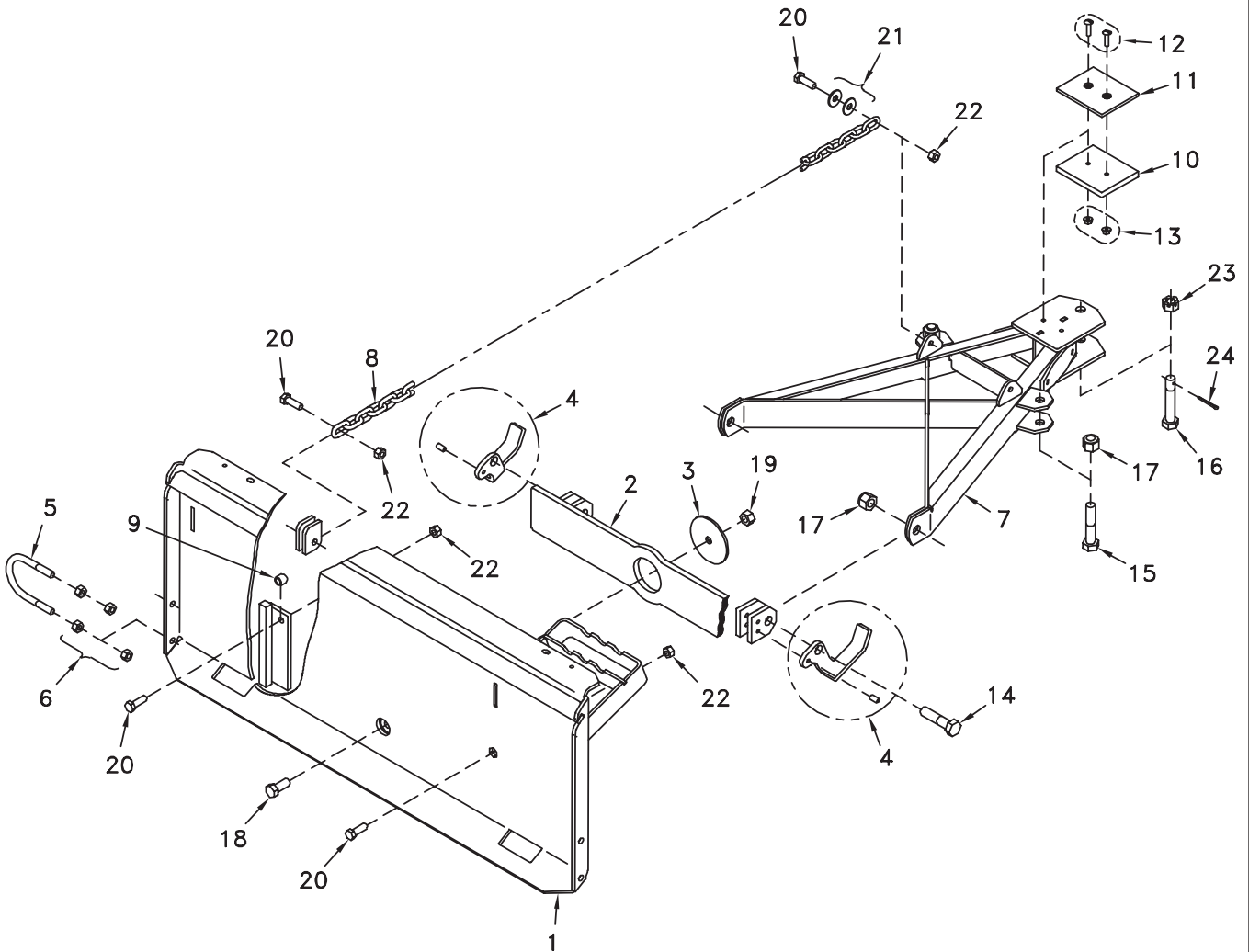
DWG. NO. 6113B

REF. NO.	PART NUMBER	DESCRIPTION	QTY.	REF. NO.	PART NUMBER	DESCRIPTION	QTY.	
1	25010002	7 1/2' Cutting Edge	1	8	25011684	Hiniker Decal	1	
	25011839	7' Cutting Edge	1	9	700-11704	Machine Screw 3/8-16 x 1 Slotted Truss Head	12	
	25012526	6' Cutting Edge	1	10	952-002-013	Flat Washer, 3/8 Inch Stainless Steel	12	
2	25011051	Cutting Edge Bolt Kit	1	11	951-005-003	Lock Nut 3/8-16 Mac Lock	12	
	3	25010694	Extension Spring	2	12	25010118	Blade Guide	2
	4	25011863	Spring Stud	2	13	950-001-110	Hex Head Cap Screw 5/16-18 x 1 Gr. 5	4
5	060756	Lock Nut 5/8-11 Nylon Insert	1	14	952-002-002	Flat Washer 5/16 Inch	2	
	6	25013720	Moldboard Frame Weldment - 7 1/2 Ft Plow	2	15	951-005-036	Lock Nut 5/16-18 Mac Lock	4
	25013719	Moldboard Frame Weldment - 7 Ft Plow	1	16	953-002-032	Clevis Pin 3/4 x 3	2	
7	25012701	Moldboard Frame Weldment - 6 Ft Plow	1	17	035-42033	Cotter Pin 5/32 x 1 1/4	2	
	25012852	7 1/2' Moldboard Blank/Decal Assembly	1					
	25012190	7' Moldboard Blank/Decal Assembly	1					
	25012528	6' Moldboard Blank/Decal Assembly	1					

TRACTOR LOADER SNOWPLOW

SECTION
1

FRAME ASSEMBLY

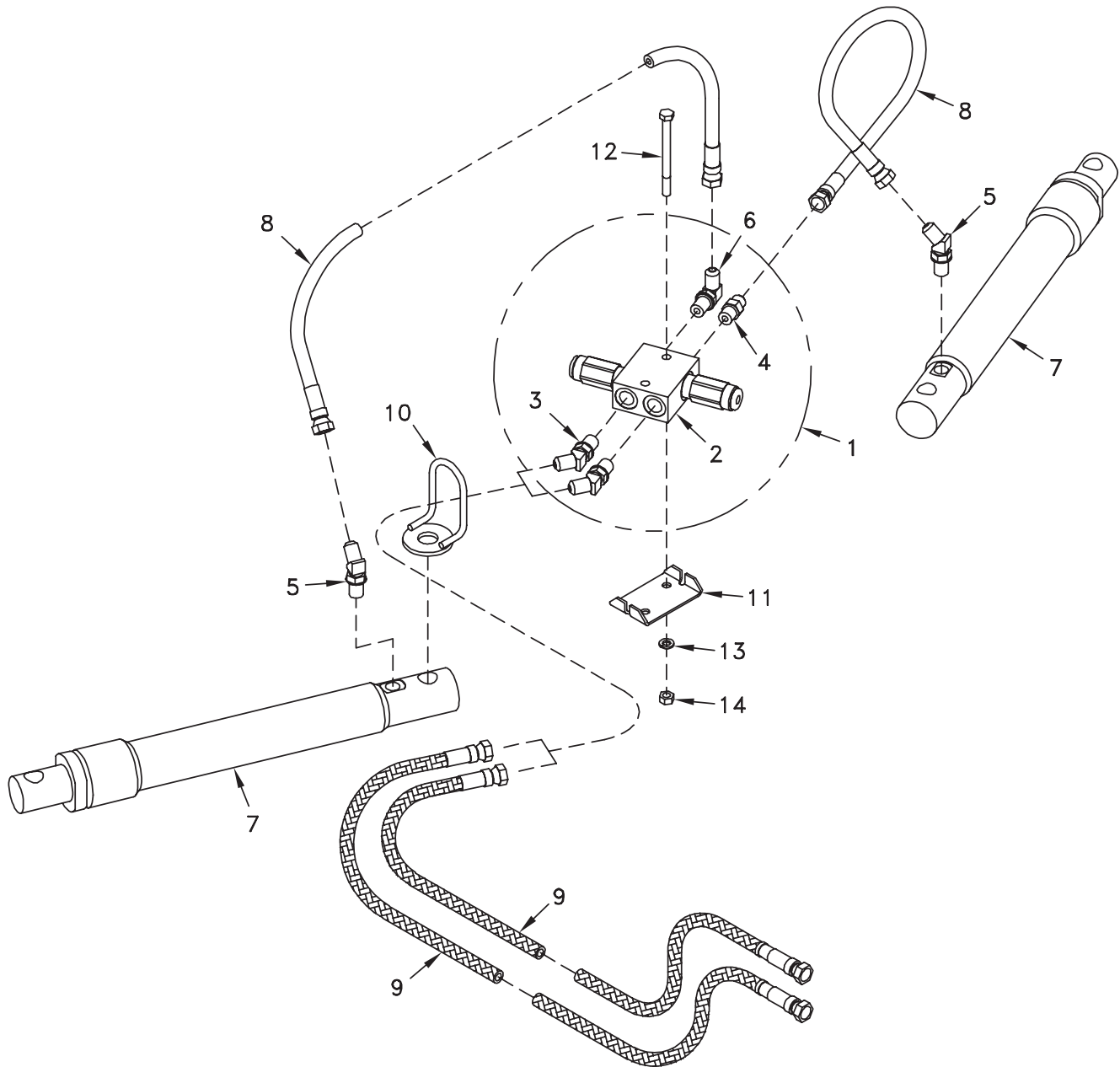


DWG. NO.6114D

REF. NO.	PART NUMBER	DESCRIPTION	QTY.	REF. NO.	PART NUMBER	DESCRIPTION	QTY.
1	25012719	Mount Frame Weldment - Universal Mount	1	13	951-005-036	Lock Nut 5/16-18 Mac Lock	2
2	25011255	Bar Weldment	1	14	950-001-031	Hex Head Cap Screw 3/4-10 x 3 Gr. 5	2
3	25011254	Washer	1	15	950-001-174	Hex Head Cap Screw 3/4-10 x 3 1/2 Gr. 5	2
4	25013590	Park Stand Feet Kit	1	16	25012630	Drilled Hex Head Cap Screw 3/4-10 x 4 Gr. 5	1
5	25013162	U-Bolt 1/2-13	1	17	951-003-010	Lock Nut 3/4-10 Nylon Insert	4
6	951-001-007	Hex Nut 1/2-13	4	18	950-001-087	Hex Head Cap Screw 5/8-11 x 1 1/2 Gr. 5	1
7	25012519	Push Frame Weldment	1	19	951-005-044	Lock Nut 5/8-11 2-Way	1
8	25011251	Chain	2	20	950-001-125	Hex Head Cap Screw 1/2-13 x 1 1/2 Gr. 5	6
9	25011250	Spacer	2	21	952-002-005	Flat Washer 1/2 Inch	4
10	25011882	Rubber Pad	1	22	10304	Lock Nut 1/2-13 2-Way	6
11	25011881	Plastic Pad	1	23	034-00136	Slotted Nut 3/4-10	1
12	950-004-088	Machine Screw 5/16-18 x 1 1/2 Slotted Truss Head	2	24	953-001-008	Cotter Pin 3/16 x 1 3/4	1

TRACTOR LOADER SNOWPLOW

HYDRAULIC ANGLING KIT OPTION

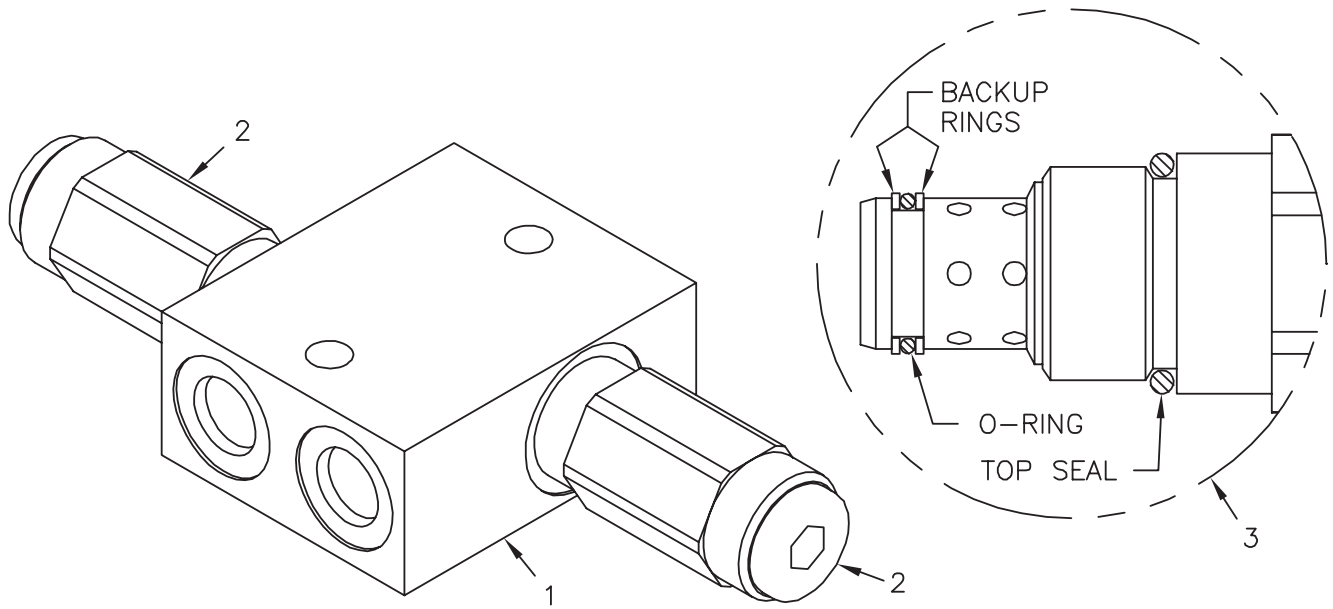


25012435 Hydraulic Angling Kit

DWG. NO. 6115

REF. NO.	PART NUMBER	DESCRIPTION	QTY.	REF. NO.	PART NUMBER	DESCRIPTION	QTY.
1	25012530	Relief Valve Assembly	1	8	957-022-010	Hydraulic Hose Assembly 1/4 x 18	2
2	25012533	Crossover Relief Valve	1	9	25012529	Feed Hose/Sleeve Assembly	2
3	956-008-037	Restricted 45° Adapter 9/16 ORB x 9/16 JIC	2	10	25012532	Hose Loop Weldment	1
4	206-01024	Straight Adapter 9/16 ORB x 9/16 JIC	1	11	25012531	Valve Bracket	1
5	956-005-023	45° Adapter 9/16 ORB x 9/16 JIC	2	12	950-001-217	Hex Head Cap Screw 5/16-18 x 3 3/4 Gr. 5	2
6	956-005-022	90° Adapter 9/16 ORB x 9/16 JIC	1	13	952-001-002	Lock Washer 5/16 Inch	2
7	25010523	1 1/2 x 10 Hydraulic Cylinder	2	14	951-001-004	Hex Nut 5/16-18	2

CROSSOVER RELIEF VALVE

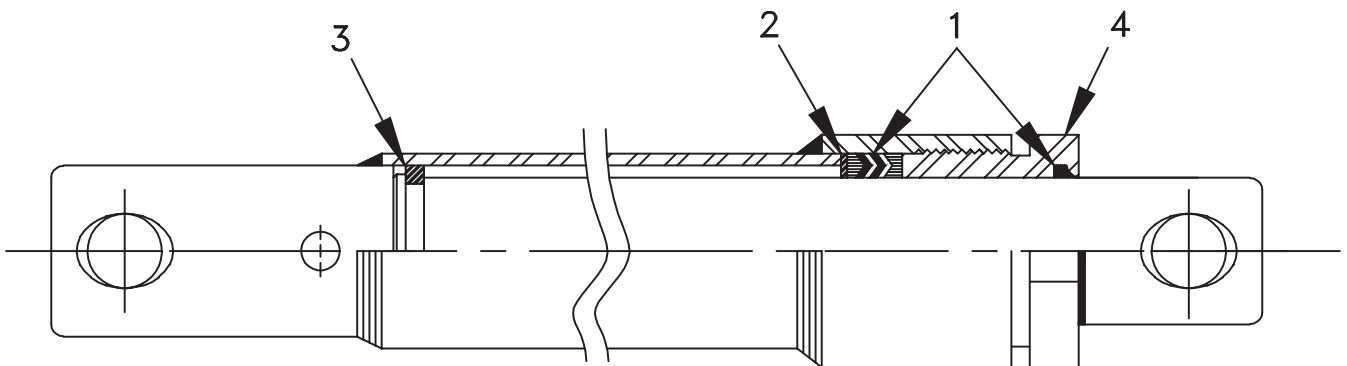


25012533 Crossover Relief Valve

DWG. NO. 6116

REF. NO.	PART NUMBER	DESCRIPTION	QTY.	REF. NO.	PART NUMBER	DESCRIPTION	QTY.
1	25012546	Manifold Block	1	3	25012544	Seal Kit	2
2	25012545	Cartridge Valve - 2100 PSI	2				

1 1/2 X 10 HYDRAULIC CYLINDER



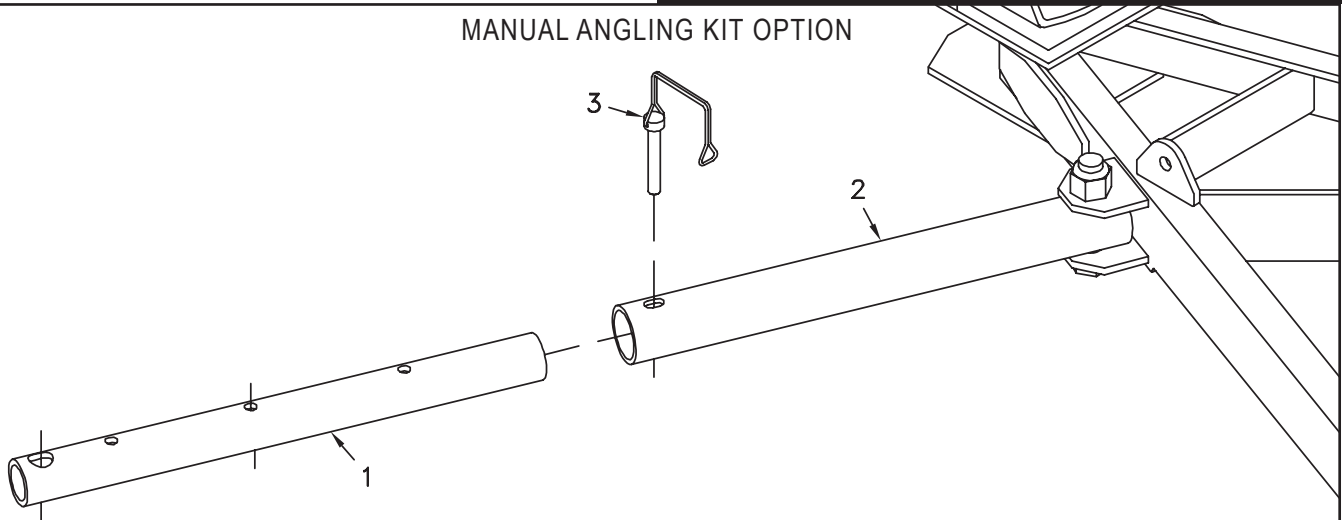
25010523 1 1/2 x 10 Hydraulic Cylinder

DWG. NO. 3941

REF. NO.	PART NUMBER	DESCRIPTION	QTY.	REF. NO.	PART NUMBER	DESCRIPTION	QTY.
1	25010464	Seal Kit	1	3	25010017	Guide Ring	1
2	25010016	Seat Ring	1	4	25010018	Packing Nut	1

TRACTOR LOADER SNOWPLOW

MANUAL ANGLING KIT OPTION



25012436 Manual Angling Kit

DWG. NO. 6117

REF. NO.	PART NUMBER	DESCRIPTION	QTY.	REF. NO.	PART NUMBER	DESCRIPTION	QTY.
1	25012516	Inner Adjustment Tube	2	3	81005172	Snap Pin	2
2	25012517	Outer Tube	2				

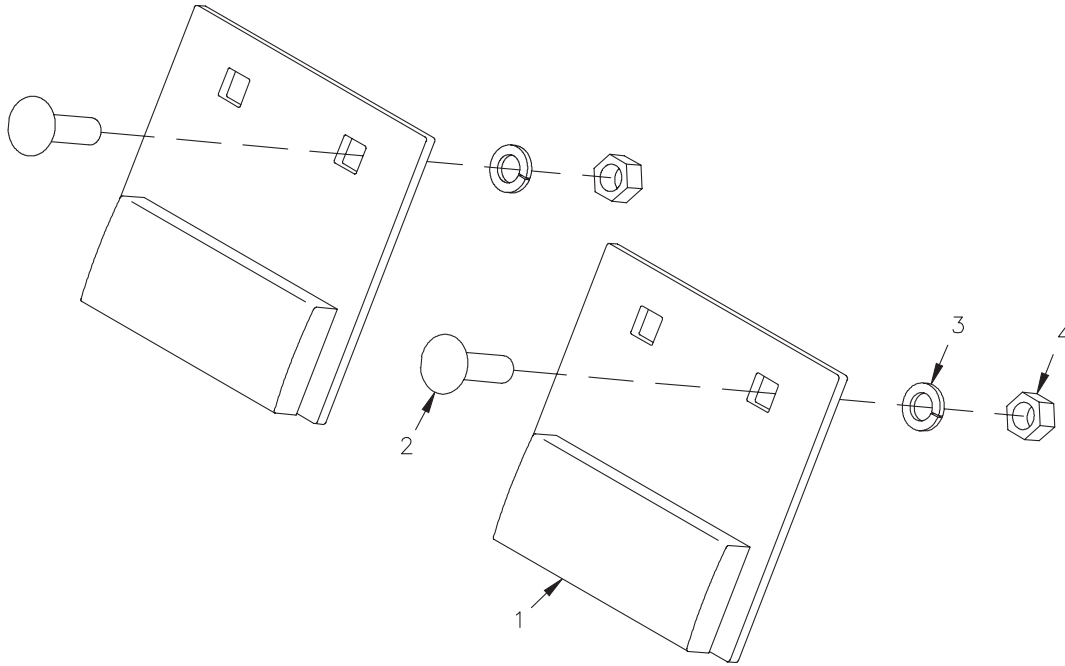
SECTION 2

PLOW ACCESSORIES

PAGE 2	WEAR PLATE KIT CURB GUARD KITS
PAGE 3	SKID SHOE ASSEMBLY POLY SNOW DEFLECTOR KIT
PAGE 4	TOUCH UP PAINT

TRACTOR LOADER SNOWPLOW

WEAR PLATE KIT

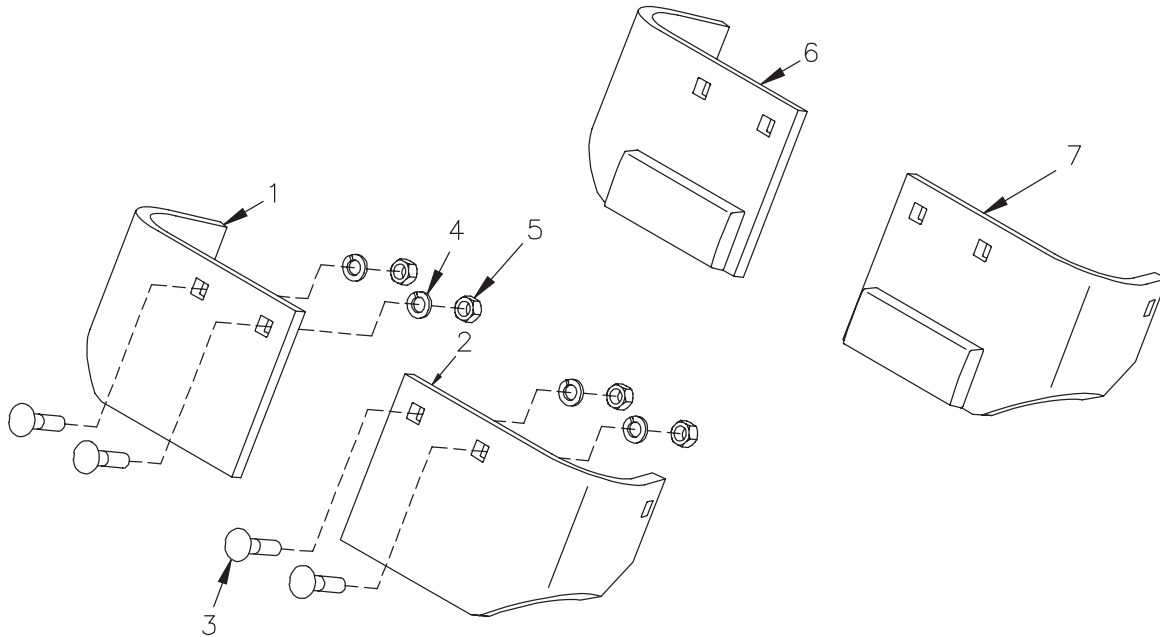


25012587 Wear Plate Kit

DWG. NO. 6331

REF. NO.	PART NUMBER	DESCRIPTION	QTY.	REF. NO.	PART NUMBER	DESCRIPTION	QTY.
1	25012588	Wear Plate Weldment	2	3	952-001-004	Lock Washer 1/2 Inch	4
2	950-003-058	Carriage Bolt 1/2-13 x 1 3/4 Gr. 5	4	4	951-001-007	Hex Nut 1/2-13	4

CURB GUARD KITS



25011695 Curb Guard Kit - Standard

25012726 Curb Guard Kit With Wear Bars

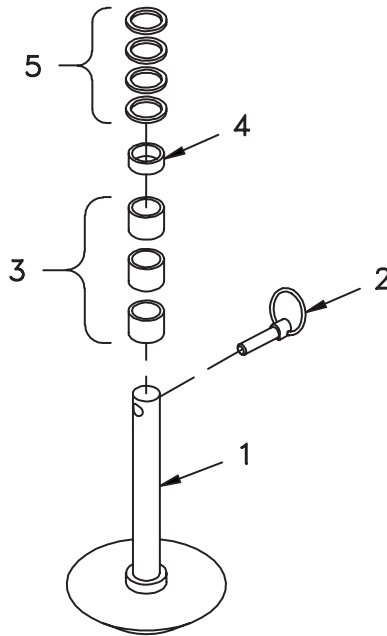
DWG. NO. 5486

REF. NO.	PART NUMBER	DESCRIPTION	QTY.	REF. NO.	PART NUMBER	DESCRIPTION	QTY.
1	25011712	RH Curb Guard - Standard	1	5	951-001-007	Hex Nut 1/2-13	4
2	25011713	LH Curb Guard - Standard	1	6	25012722	RH Curb Guard With Wear Bar	1
3	950-003-051	Carriage Bolt 1/2-13 x 2 1/4 Gr. 5	4	7	25012723	RH Curb Guard With Wear Bar	1
4	952-001-004	Lock Washer 1/2 Inch	4				

TRACTOR LOADER SNOWPLOW

SEC 2

SKID SHOE ASSEMBLY

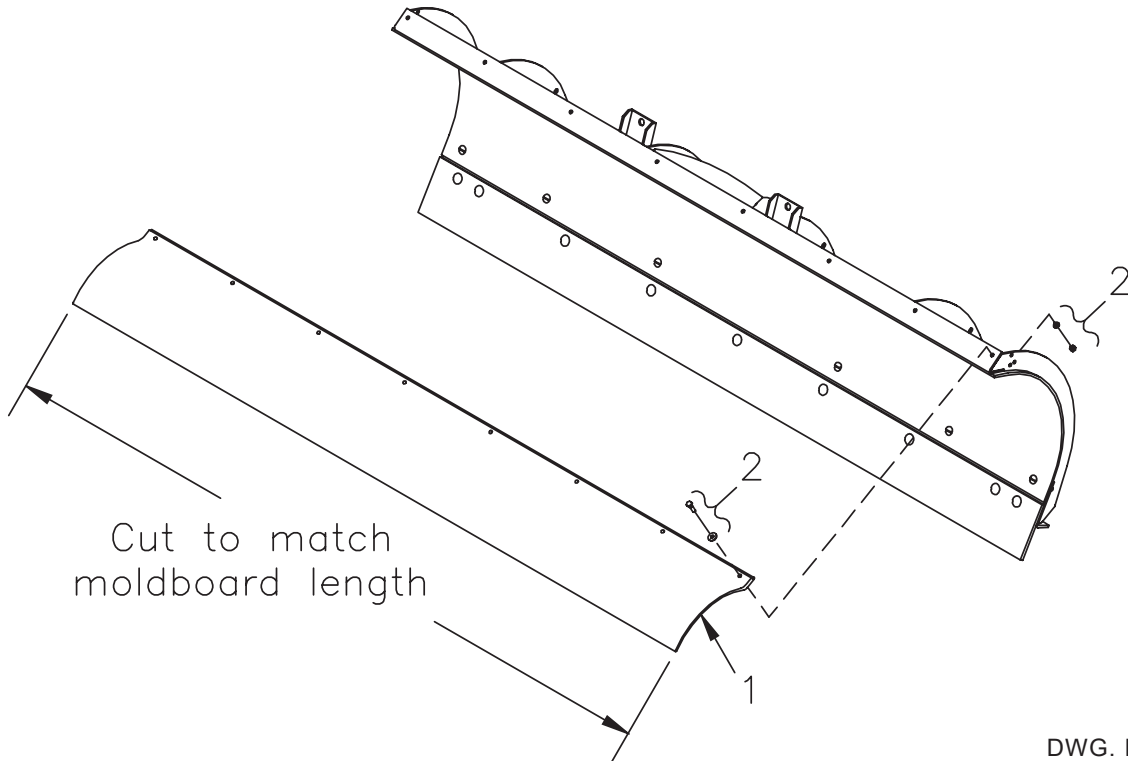


25011487 Skid Assembly

DWG. NO. 5708

REF. NO.	PART NUMBER	DESCRIPTION	QTY.	REF. NO.	PART NUMBER	DESCRIPTION	QTY.
1	25011478	Cast Iron Skid Shoe	1	4	25010048	1/2" Skid Spacer	1
2	25010319	Klik Pin	1	5	952-004-071	Machinery Bushing	4
3	25010049	1" Skid Spacer	3				

POLY SNOW DEFLECTOR KIT

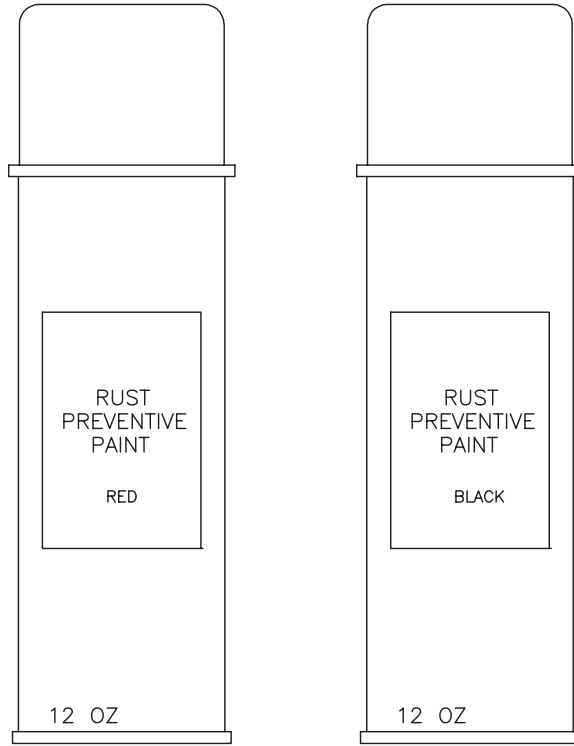


DWG. NO. 5761

REF. NO.	PART NUMBER	DESCRIPTION	QTY.	REF. NO.	PART NUMBER	DESCRIPTION	QTY.
1	25011789	Poly Snow Deflector Kit	1	2	25011793	Bolt Box (Included With Kit)	1

TRACTOR LOADER SNOWPLOW

TOUCH UP PAINT



DWG. NO. 5737

REF. NO.	PART NUMBER	DESCRIPTION	QTY.	REF. NO.	PART NUMBER	DESCRIPTION	QTY.
1	921-001-416	Red Touch Up Paint	1	2	921-001-414	Black Touch Up Paint	1

2
SECS