

# SECTION 3

## C-PLOWS

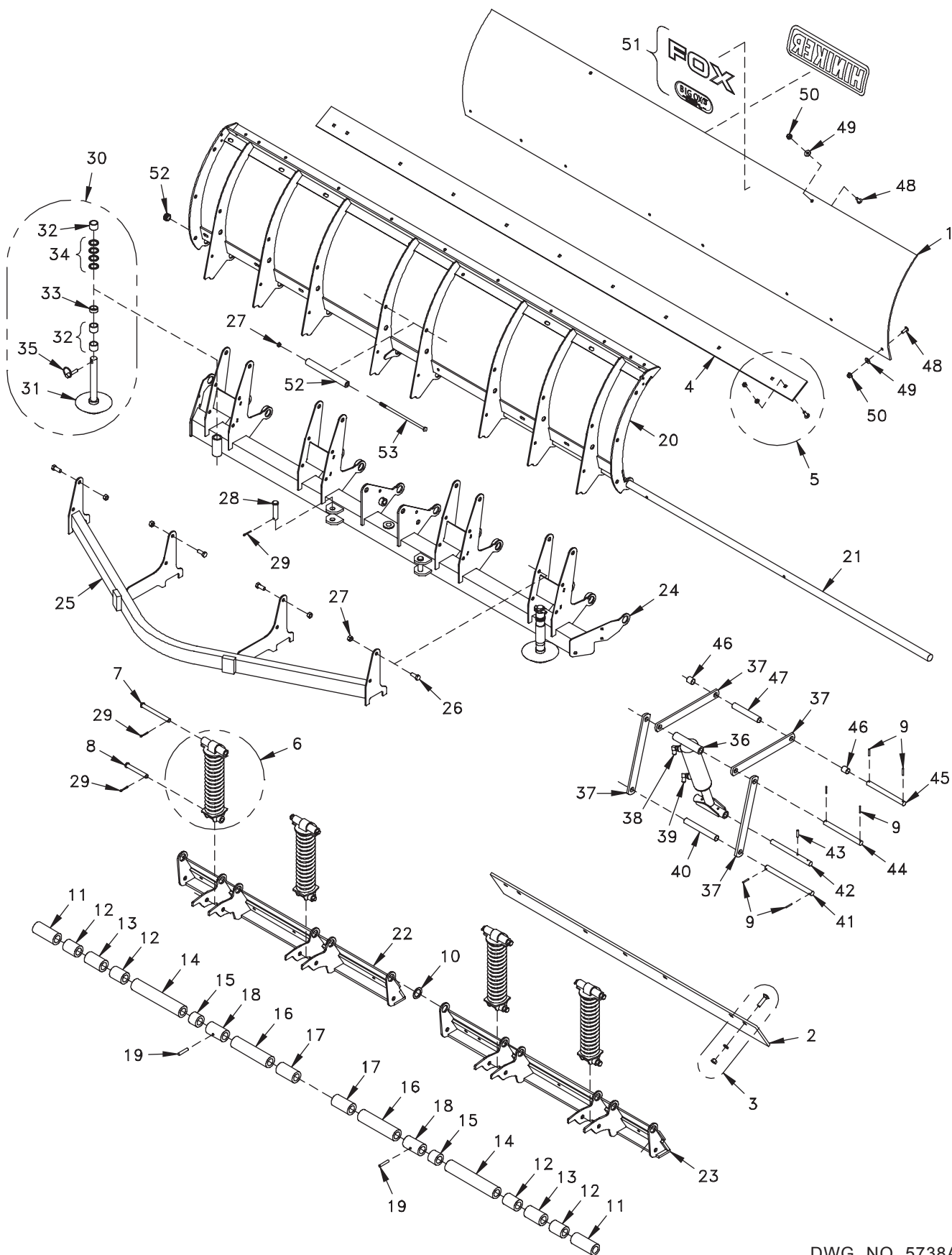
**MODELS: 880, 881, 2881, 890, 891, 2890, 2891, 380**

<b>PAGE 2, 3</b>	<b>MOLDBOARD ASSEMBLIES</b> <b>MODELS: 881, 2881, 891, 2891</b>
<b>PAGE 4, 5</b>	<b>MOLDBOARD ASSEMBLIES</b> <b>MODELS: 880, 890, 2890</b>
<b>PAGE 6</b>	<b>MOLDBOARD ASSEMBLY</b> <b>MODEL: 380</b>
<b>PAGE 7</b>	<b>FRAME ASSEMBLY</b> <b>MODELS: 880, 881, 890, 891, 2881, 2890, 2891</b>
<b>PAGE 8</b>	<b>FRAME ASSEMBLY - RIDGID</b> <b>MODEL: 380</b>
<b>PAGE 9</b>	<b>FRAME ASSEMBLY - OSCILLATING</b> <b>MODEL: 380</b>
<b>PAGE 10</b>	<b>HYDRAULIC OVERVIEW</b> <b>VALVE MANIFOLD</b>
<b>PAGE 11</b>	<b>1 1/2 X 10 HYDRAULIC CYLINDER</b> <b>2 1/2 X 6 HYDRAULIC CYLINDER</b>
<b>PAGE 12</b>	<b>ELECTRICAL WIRING</b> <b>WING KIT - TRIP EDGE PLOWS</b>
<b>PAGE 13</b>	<b>RUBBER CUTTING EDGES - MODELS 880, 881, 890, 891,2881, 2890,2891</b> <b>1/2" THICK CUTTING EDGES - MODELS 880, 881, 890, 891,2881, 2890,2891</b>
<b>PAGE 14</b>	<b>WEAR PLATE KIT</b> <b>CURB GUARD KITS</b>

# SKID STEER C-PLOW SNOWPLOW

## MOLDBOARD ASSEMBLY MODELS: 881, 2881, 891, 2891

3  
C  
S  
E  
P  
S



DWG. NO. 5738A

## SKID STEER C-PLOW SNOWPLOW

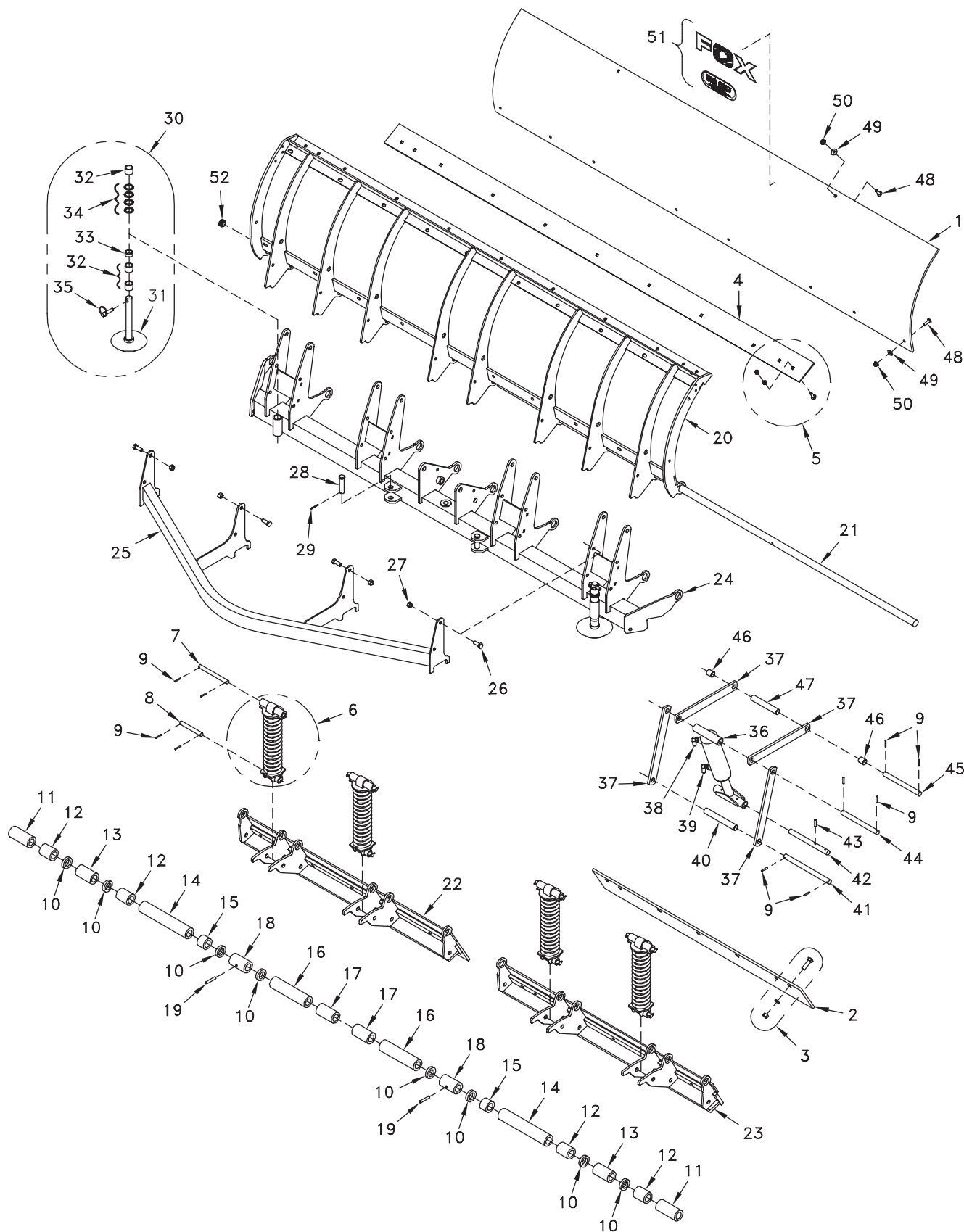
REF. NO.	PART NUMBER	DESCRIPTION	QTY.	REF. NO.	PART NUMBER	DESCRIPTION	QTY.
1	25012196	8 Ft. Poly Moldboard/Decal Assembly	1	25	25011613	Quadrant Weldment	1
	25012195	9 Ft. Poly Moldboard/Decal Assembly	1	26	950-001-231	Hex Head Cap Screw 1/2-13 x 1 Gr. 5	8
2	25011326	48" Cutting Edge 8 Ft. Plow	2	27	10304	Lock Nut 1/2-13, 2-Way	9
	25011328	54" Cutting Edge 9 Ft. Plow	2	28	953-002-032	Clevis Pin 3/4 x 3	2
3	25011578	Bolt Kit, Lower Cutting Edge	1	29	035-42033	Cotter Pin 5/32 x 1 1/4	10
4	25011437	Upper Cutting Edge 8 Ft. Plow	1	30	25011487	Cast Iron Skid Assembly	2
	25011436	Upper Cutting Edge 9 Ft. Plow	1	31	25011478	Cast Iron Skid	2
5	25011579	Bolt Kit, Upper Cutting Edge	1	32	25010049	1" Skid Spacer	6
6	25011373	Spring Assembly	4	33	25010048	1/2" Skid Spacer	2
7	953-002-045	Clevis Pin 5/8 x 6	4	34	952-004-071	Machine Bushing 1 5/32 x 1 1/2 x 10 Ga.	8
8	953-002-044	Clevis Pin 5/8 x 4 3/8	4	35	25010319	Klik Pin	2
9	953-003-027	Slotted Spring Pin 3/16 x 1 1/4	6	36	25011400	2 1/2 x 6 Cylinder Weldment (See Sec. 3, Page 11)	1
10	952-004-058	Machine Bushing 1 9/32 x 1 7/8 x 14 Ga.	1	37	25011447	Link	4
11	25011621	Bushing, 4 19/32" Long Poly 8 Ft. Plow	2	38	956-005-025	90° Restricted Adapter Fitting 9/16 ORB x 9/16 JIC	1
	25011620	Bushing, 10 19/32" Long Poly 9 Ft. Plow	2	39	956-005-022	90° Adapter 9/16 ORB x 9/16 JIC	1
12	25011617	Bushing, 2 19/32" Long Poly	4	40	25011449	Spacer, 6 15/16" Long	1
13	25011338	Bushing, 3 3/8" Long Poly	2	41	25011451	Pin, 9 9/16" Long	1
14	25011618	Bushing, 10 3/4" Long Poly	2	42	25011452	Pin, 8 3/8" Long	1
15	25011576	Bushing, 1 9/16" Long Poly	2	43	953-003-018	Slotted Spring Pin 1/4 x 1 1/4	1
16	25011619	Bushing, 7 15/16" Long Poly	2	44	25011446	Pin, 8 3/16" Long	1
17	25011622	Bushing, 3 21/32" Long Poly	2	45	25011445	Pin, 10 3/16" Long	1
18	25011341	Bushing, 3 3/8" Long Steel	2	46	25011448	Spacer, 1" Long	2
19	30009024	Slotted Spring Pin 3/8 x 2	2	47	25011450	Spacer, 5 3/4" Long	1
20	25011611	Rib Weldment 8 Ft. Plow	1	48	700-11704	Machine Screw, 3/8-16 x 1 Slotted Truss Head	10
	25011612	Rib Weldment 9 Ft. Plow	1	49	952-002-013	Flat Washer 3/8 Inch, Stainless Steel	10
21	25011346	Round Bar 8 Ft. Plow	1	50	951-005-003	Lock Nut 3/8-16 Mac Lock	10
	25011345	Round Bar 9 Ft. Plow	1	51	715-05008	Decal - Fox	1
22	25011597	LH Trip Edge Weldment 8 Ft. Plow	1		36360403	Decal - Big Ox	1
	25011596	LH Trip Edge Weldment 9 Ft. Plow	1	52	25012717	Pipe	1
23	25011598	RH Trip Edge Weldment 8 Ft. Plow	1	53	950-001-274	Hex Head Cap Screw 1/2-13 x 10 Gr. 5	1
	25011595	RH Trip Edge Weldment 9 Ft. Plow	1				
24	25011610	Bottom Frame Weldment 8 Ft. Plow	1				
	25011609	Bottom Frame Weldment 9 Ft. Plow	1				

**3** CEMS

# SKID STEER C-PLOW SNOWPLOW

## MOLDBOARD ASSEMBLY MODELS: 880, 890, 2890

3  
C  
S



DWG. NO. 5476A

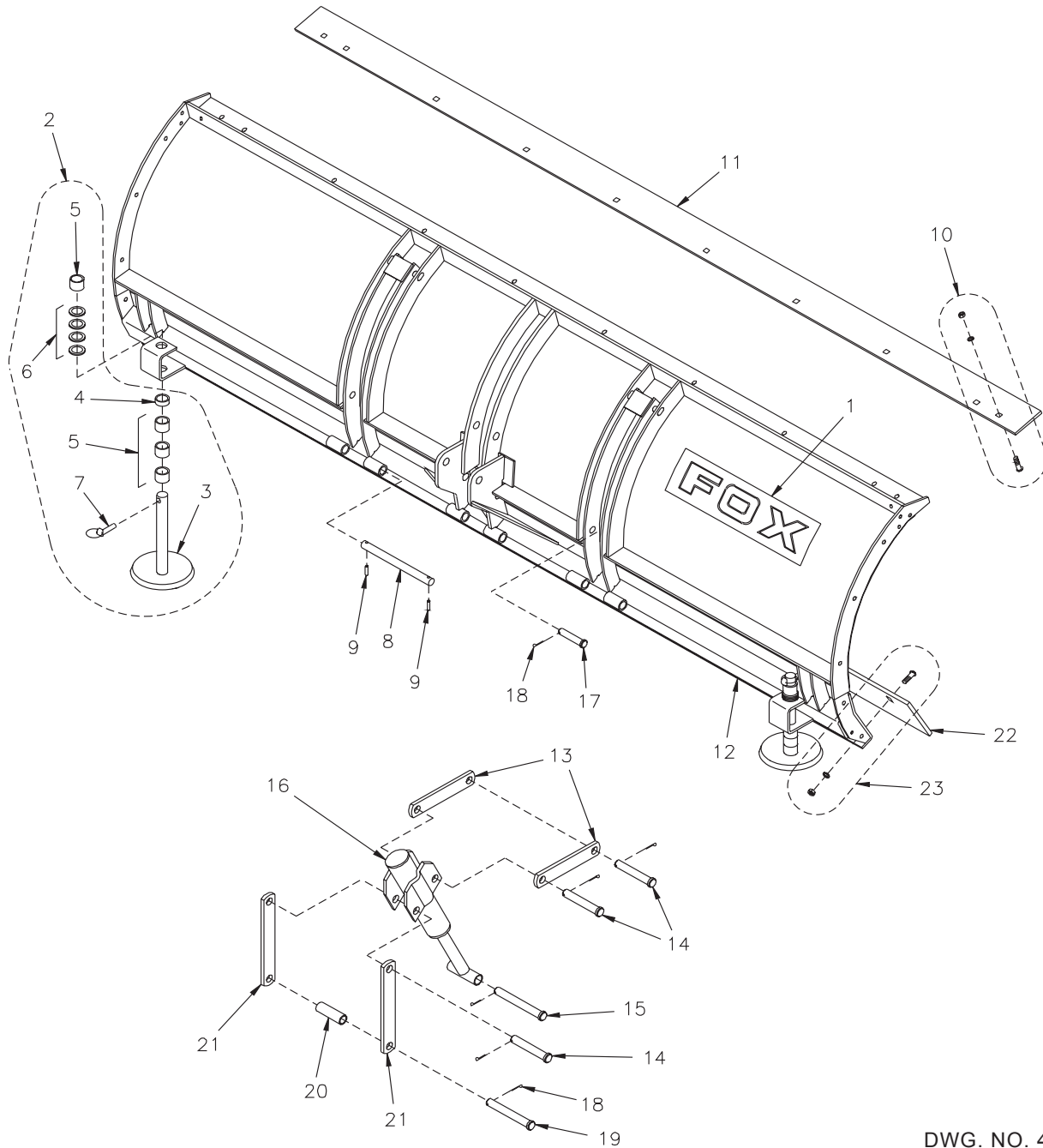
**SKID STEER C-PLOW SNOWPLOW**

REF. NO.	PART NUMBER	DESCRIPTION	QTY.	REF. NO.	PART NUMBER	DESCRIPTION	QTY.
1	25011329	8 Ft. Poly Moldboard	1	24	25011434	Bottom Frame Weldment, 8' Plow	1
	25011330	9 Ft. Poly Moldboard	1		25011433	Bottom Frame Weldment, 9' Plow	1
2	25011326	48" Cutting Edge, 8' Plow	2	25	25011349	Frame Weldment	1
	25011328	54" Cutting Edge, 9' Plow	2	26	950-001-111	Hex Head Cap Screw 1/2-13 x 1 1/4 Gr. 5	8
3	25011578	Bolt Kit, Lower Cutting Edge	1	27	10304	Lock Nut 1/2-13, 2-Way	8
4	25011437	Upper Cutting Edge, 8' Plow	1	28	953-002-032	Clevis Pin 3/4 x 3	2
	25011436	Upper Cutting Edge, 9' Plow	1	29	035-42033	Cotter Pin 5/32 x 1 1/4	2
5	25011579	Bolt Kit, Upper Cutting Edge	1	30	25011487	Cast Iron Skid Assembly	2
6	25011373	Spring Assembly	4	31	25011478	Cast Iron Skid	2
7	25011344	Top Pin	4	32	25010049	1" Skid Spacer	6
8	25011343	Bottom Pin	4	33	25010048	1/2" Skid Spacer	2
9	953-003-027	Slotted Spring Pin 3/16 x 1 1/4	22	34	952-004-071	Machine Bushing 1 5/32 x 1 1/2 x 10 Ga.	8
10	25011342	Bushing, 13/32" Long Poly	8	35	25010319	Klik Pin	2
11	25011438	Bushing, 4 9/32" Long Poly, 8' Plow	2	36	25011400	2 1/2 x 6 Cylinder Weldment (See Sec. 3, Page 11)	1
	25011443	Bushing, 10 9/32" Long Poly, 9' Plow	2	37	25011447	Link	4
12	25011444	Bushing, 2 7/16" Long Poly	4	38	956-005-025	90° Restricted Adapter Fitting 9/16 ORB x 9/16 JIC	1
13	25011338	Bushing, 3 3/8" Long Poly	2	39	956-005-022	90° Adapter 9/16 ORB x 9/16 JIC	1
14	25011439	Bushing, 10 11/16" Long Poly	2	40	25011449	Spacer, 6 15/16" Long	1
15	25011440	Bushing, 1 7/16" Long Poly	2	41	25011451	Pin, 9 9/16" Long	1
16	25011441	Bushing, 7 29/32" Long Poly	2	42	25011452	Pin, 8 3/8" Long	1
17	25011442	Bushing, 3 17/32" Long Poly	2	43	953-003-018	Slotted Spring Pin 1/4 x 1 1/4	1
18	25011341	Bushing, 3 3/8" Long Steel	2	44	25011446	Pin, 8 3/16" Long	1
19	30009024	Slotted Spring Pin 3/8 x 2	2	45	25011445	Pin, 10 3/16" Long	1
20	25011459	Rib Weldment, 8' Plow	1	46	25011448	Spacer, 1" Long	2
	25011456	Rib Weldment, 9' Plow	1	47	25011450	Spacer, 5 3/4" Long	1
21	25011346	Round Bar 8 Ft. Plow	1	48	950-004-100	Machine Screw 3/8-16 x 1 1/4 Slotted Truss Head	10
	25011345	Round Bar 9 Ft. Plow	1	49	952-002-013	Flat Washer 3/8 Inch Stainless Steel	10
22	25011388	LH Trip Edge Weldment, 8' Plow	1	50	951-005-003	Lock Nut 3/8-16 Mac Lock	10
	25011387	LH Trip Edge Weldment, 9' Plow	1	51	715-05008	Decal - Fox	1
23	25011389	RH Trip Edge Weldment, 8' Plow	1		36360403	Decal - Big Ox	1
	25011381	RH Trip Edge Weldment, 9' Plow	1				

**3** CEMS

# SKID STEER C-PLOW SNOWPLOW

## MOLDBOARD ASSEMBLY MODEL: 380



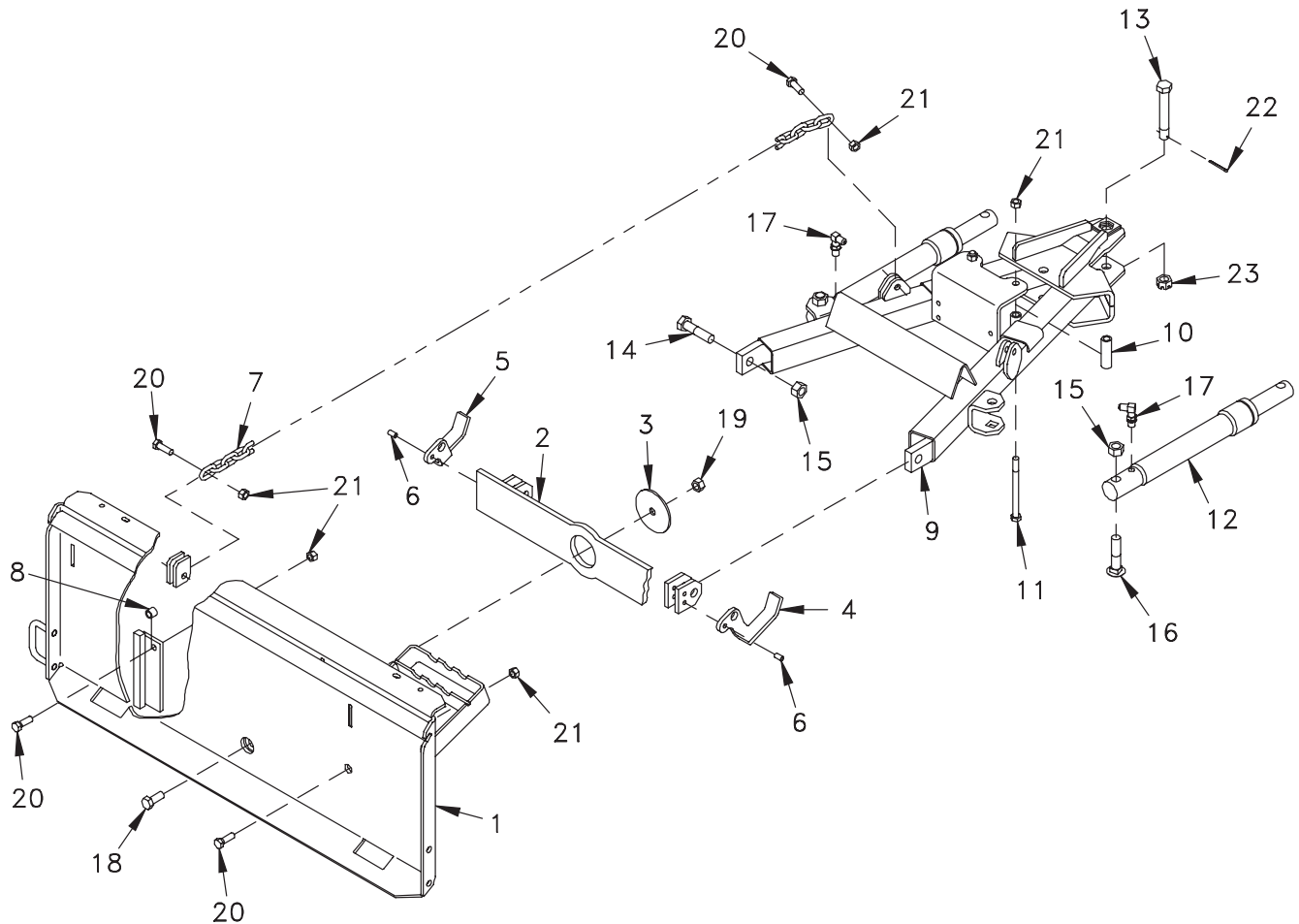
DWG. NO. 4254A

REF. NO.	PART NUMBER	DESCRIPTION	QTY.	REF. NO.	PART NUMBER	DESCRIPTION	QTY.
1	715-05008	Fox Decal	1	13	25010817	Upper Motion Link	2
2	25011487	Cast Iron Skid Assy	2	14	953-002-041	Clevis Pin 3/4 x 4 1/2	3
3	25011478	Cast Iron Skid	2	15	953-002-042	Clevis Pin 3/4 x 6	1
4	25010048	1/2" Skid Spacer	2	16	25011102	2 1/2 x 6 Cylinder (See Sec. 3, Page 11)	1
5	25010049	1" Skid Spacer	8	17	953-002-040	Clevis Pin 5/8 x 3	2
6	952-004-071	Machine Bushing 1 5/32 x 1 1/2 x 10 Ga.	8	18	035-42033	Cotter Pin 5/32 x 1 1/4	7
7	25010319	Klik Pin	2	19	953-002-038	Clevis Pin 3/4 x 5 1/2	1
8	25010376	8" Hinge Pin	3	20	25010833	Spacer Bushing	1
9	953-003-031	Slotted Spring Pin 1/4 x 1"	6	21	25010816	Lower Motion Link	2
10	25011052	Cutting Edge Bolt Kit	1	22	25010001	8' Cutting Edge	1
11	25010819	Top Cutting Edge	1	23	25011051	Cutting Edge Bolt Kit	1
12	25011101	8' Moldboard Weldment	1				

# SKID STEER C-PLOW SNOWPLOW

## FRAME ASSEMBLY MODELS: 880, 881, 890, 891, 2881, 2890, 2891

3  
S  
E  
C  
T  
I  
O  
N



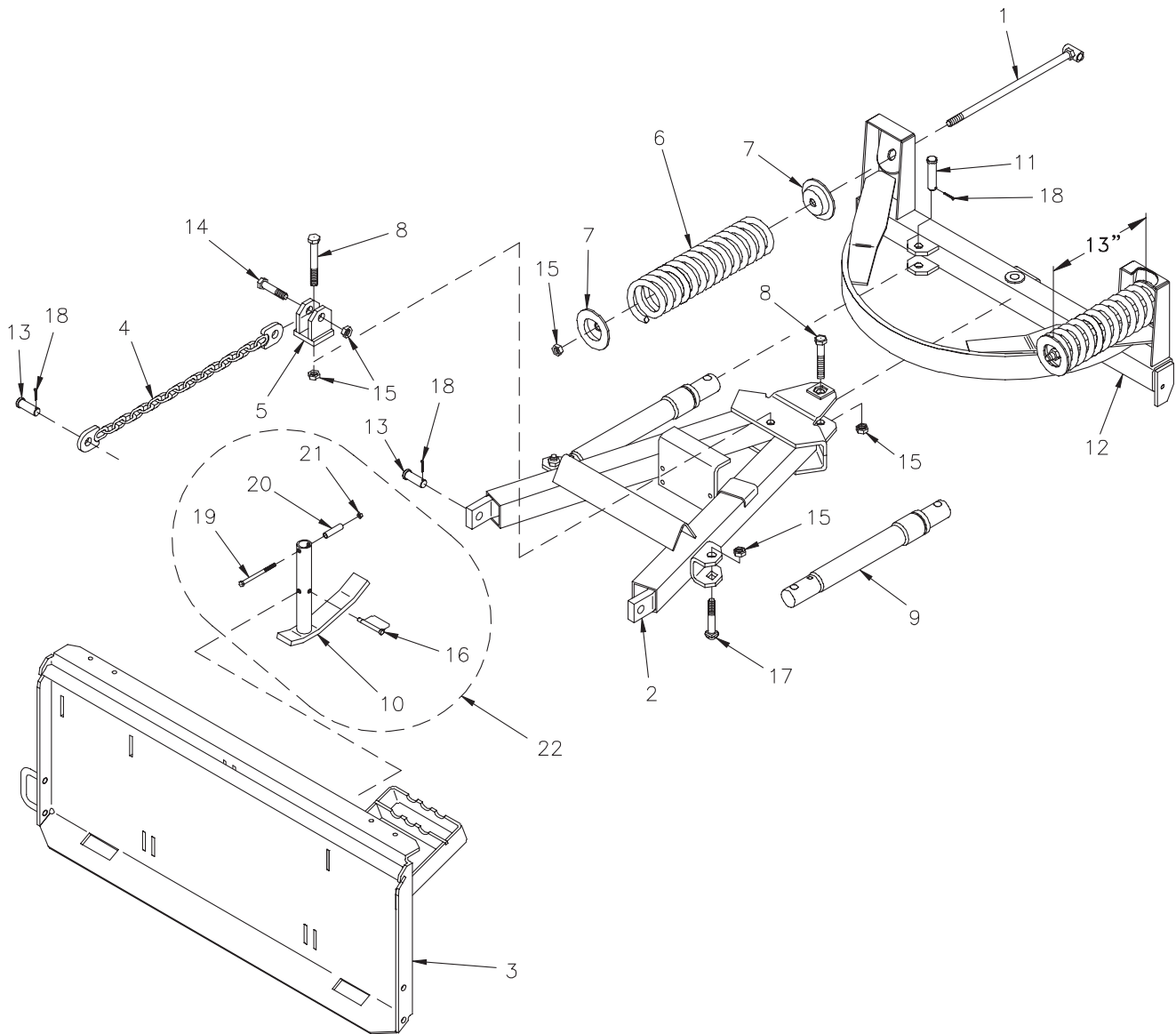
DWG. NO. 5478A

REF. NO.	PART NUMBER	DESCRIPTION	QTY.	REF. NO.	PART NUMBER	DESCRIPTION	QTY.
1	25012719	Mount Plate Weldment	1	13	25012614	Drilled Bolt 3/4-10 x 5 Gr. 5	1
2	25011255	Bar Weldment	1	14	950-001-031	Hex Head Cap Screw 3/4-10 x 3 Gr. 5	2
3	25011254	Washer	1	15	951-005-037	Lock Nut 3/4-10, 2-Way	4
4	25011253	Right Foot	1	16	030-16198	Carriage Bolt 3/4-10 x 3 1/2 Gr. 5	2
5	25011252	Left Foot	1	17	956-005-032	90° Restricted Adapter Fitting 9/16 ORB x 9/16 JIC	2
6	953-003-035	Slotted Spring Pin 3/8 x 3/4	2	18	950-001-087	Hex Head Cap Screw 5/8-11 x 1 1/2 Gr. 5	1
7	25011251	Chain	2	19	951-005-044	Lock Nut 5/8-11, 2-Way	1
8	25011250	Spacer	2	20	950-001-125	Hex Head Cap Screw 1/2-13 x 1 1/2 Gr. 5	6
9	25011723	Push Frame Weldment	1	21	10304	Lock Nut 1/2-13, 2-Way	8
10	25011477	Bushing	2	22	953-001-008	Cotter Pin 3/16 x 1 3/4	1
11	031-06219	Hex Head Cap Screw 1/2 -13 x 6 Gr. 5	2	23	034-00136	Slotted Hex Nut 3/4-10	1
12	25010523	1 1/2" x 10" Cylinder, (See Sec. 3, Page 11)	2				

# SKID STEER C-PLOW SNOWPLOW

## RIGID FRAME ASSEMBLY MODEL: 380

**3**  
SECS



DWG. NO. 4255

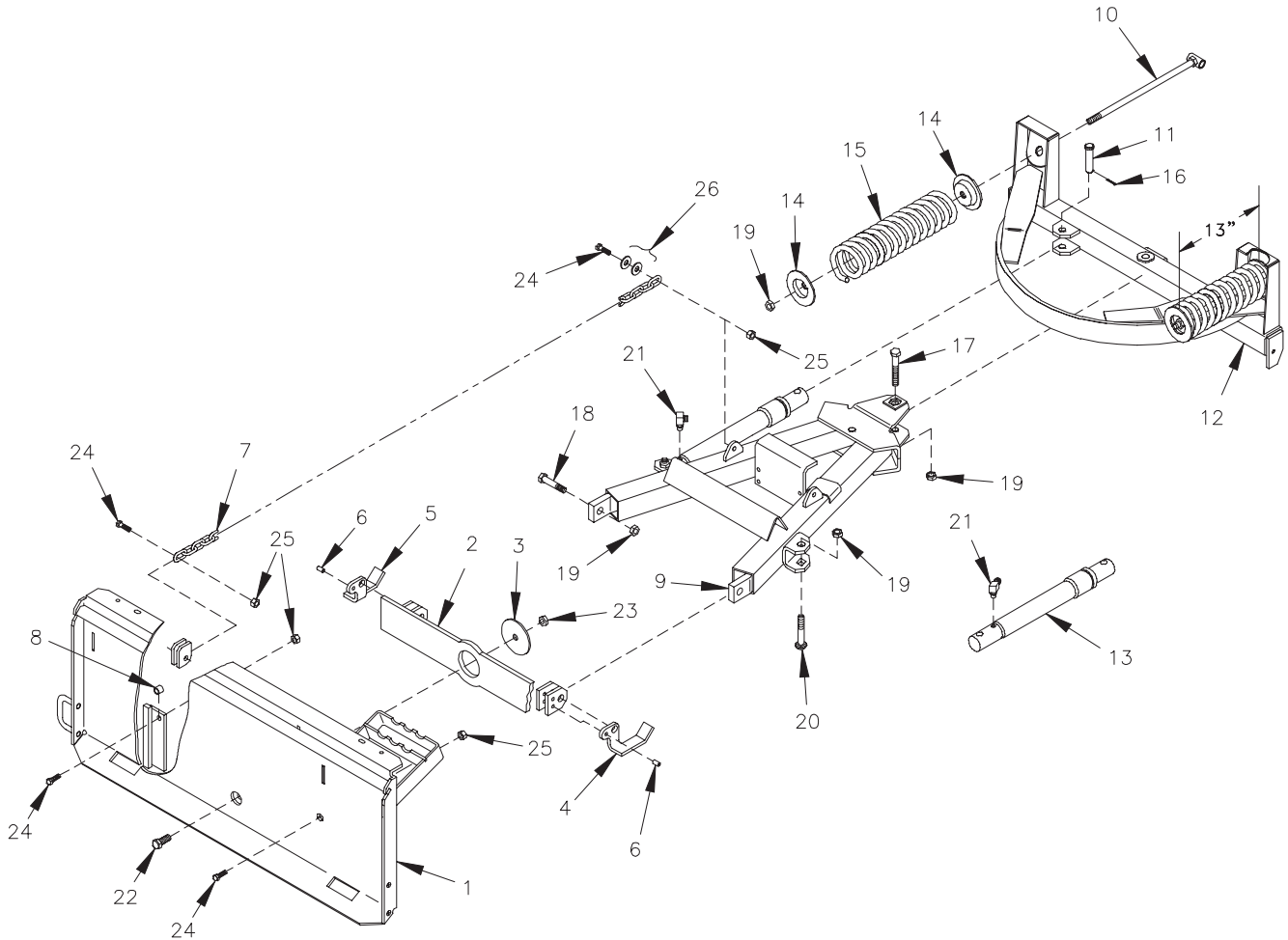
REF. NO.	PART NUMBER	DESCRIPTION	QTY.	REF. NO.	PART NUMBER	DESCRIPTION	QTY.
1	25010058	Pull Rod Weldment	2	12	25010393	Quadrant Weldment	1
2	25011098	Push Frame Weldment	1	13	953-002-031	Clevis Pin 3/4 x 2	3
3	25011087	Mount Plate Weldment	1	14	031-06358	Hex Head Cap Screw 3/4-10 x 2 3/4 Gr. 5	1
4	25011095	Chain Weldment	1	15	951-005-037	2-Way Lock Nut 3/4-10	7
5	25011093	Lift Lug Weldment	1	16	623011	Lynch Pin 5/16 x 2 3/4	1
6	81004098	Compression Spring	2	17	030-16198	Carriage Bolt 3/4-10 X 3 1/2 Gr. 5	2
7	81004090	Washer	4	18	035-42033	Cotter Pin 5/32 x 1 1/4	5
8	950-001-033	Hex Head Cap Screw 3/4-10 x 4 1/2 Gr. 5	2	19	950-001-084	Hex Head Cap Screw 3/8-16 x 4 Gr. 5	1
9	25010523	1 1/2 x 10 Cylinder, (See Sec. 3, Page 11)	2	20	25011092	Handle Sleeve	1
10	25011089	Stand Weldment	1	21	951-003-002	Lock Nut, 3/8-16 Nylon Insert	1
11	953-002-032	Clevis Pin 3/4 x 3	2	22	25011175	Park Stand Assy	1



# SKID STEER C-PLOW SNOWPLOW

## OSCILLATING FRAME ASSEMBLY MODEL: 380

3  
CIMS

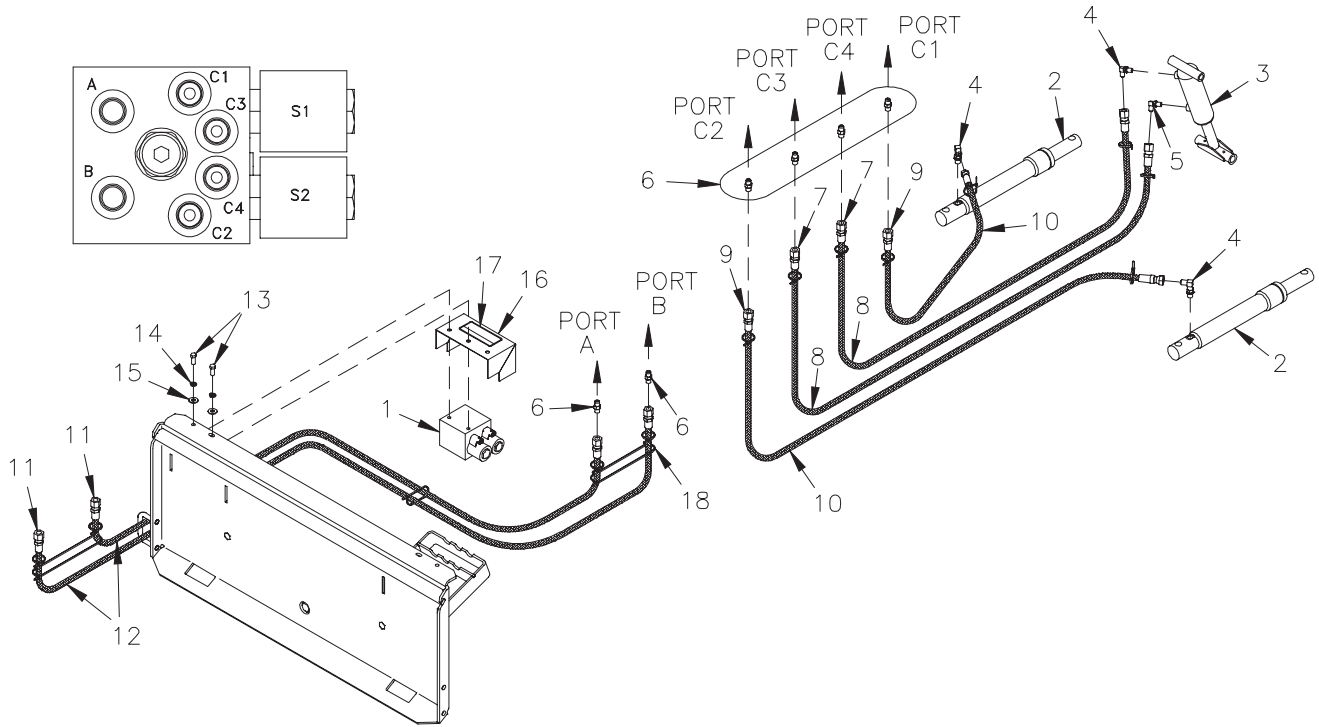


DWG. NO. 5234

REF. NO.	PART NUMBER	DESCRIPTION	QTY.	REF. NO.	PART NUMBER	DESCRIPTION	QTY.
1	25012719	Mount Plate Weldment	1	14	81004090	Washer	4
2	25011255	Bar Weldment	1	15	81004098	Compression Spring	2
3	25011254	Washer	1	16	035-42033	Cotter Pin 5/32 x 1 1/4	2
4	25011253	Right Foot	1	17	950-001-033	Hex Head Cap Screw 3/4-10 x 4 1/2 Gr. 5	1
5	25011252	Left Foot	1	18	950-001-031	Hex Head Cap Screw 3/4-10 x 3 Gr. 5	2
6	953-003-035	Slotted Spring Pin 3/8 x 3/4	2	19	951-005-037	Lock Nut 2-Way 3/4-10	7
7	25011251	Chain	2	20	030-16198	Carriage Bolt 3/4-10 x 3 1/2 Gr. 5	2
8	25011250	Spacer	2	21	956-005-025	90° Male Restrictor Elbow	2
9	25011249	Push Frame Weldment	1	22	950-001-087	Hex Head Cap Screw 5/8-11 x 1 1/2 Gr. 5	1
10	25010058	Pull Rod Weldment	2	23	951-005-044	Lock Nut 2-Way 5/8-11	1
11	953-002-032	Clevis Pin 3/4 x 3	2	24	950-001-125	Hex Head Cap Screw 1/2-13 x 1 1/2 Gr. 5	6
12	25010393	Quadrant Weldment	1	25	10304	Lock Nut 2-Way 1/2-13	6
13	25010523	1 1/2 x 10 Cylinder, (See Sec. 3, Page 11)	2	26	952-002-005	Flat Washer 1/2 Inch	4

# SKID STEER C-PLOW SNOWPLOW

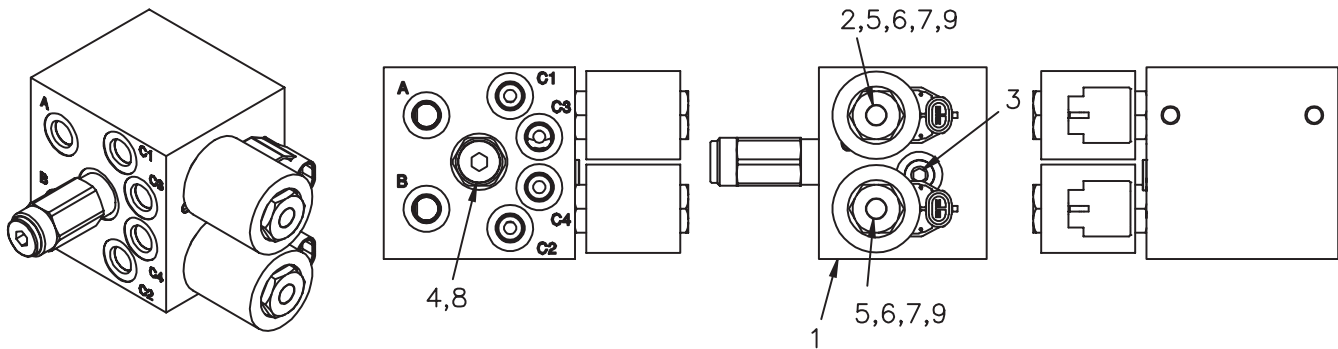
## HYDRAULIC OVERVIEW



DWG. NO. 5487A

REF. NO.	PART NUMBER	DESCRIPTION	QTY.	REF. NO.	PART NUMBER	DESCRIPTION	QTY.
1	25011105	Valve Manifold Assembly	1	9	957-010-007	Hose Assembly 1/4 x 40"	2
2	25010523	1 1/2" x 10" Cylinder, (See Sec. 3, Page 11)	2	10	25011130	Nylon Sleeve 40" Long	2
3	25011400	2 1/2" x 6" Cylinder, Models 880, 881, 890, 891, 2881, 2890, 2891 (See Sec. 3, Page 11)	1	11	957-001-017	Hose Assembly 3/8 x 72"	2
	25011102	2 1/2" x 6" Cylinder, Model 380, (See Sec. 3, Page 11)	1	12	25011131	Nylon Sleeve 72" Long	2
4	956-005-032	90° Restricted Adapter Fitting 9/16 ORB x 9/16 JIC	3	13	950-001-105	Hex Head Cap Screw 3/8-16 x 1 Gr. 5	2
5	956-005-022	90° Adapter 9/16 ORB x 9/16 JIC	1	14	952-001-007	Lock Washer 3/8 Inch	2
6	206-01024	Straight Adapter 9/16 ORB x 9/16 JIC	6	15	952-002-003	Flat Washer 3/8 Inch	2
7	957-010-006	Hose Assembly 1/4 x 66"	2	16	25011724	Valve Manifold Cover	1
8	25011129	Nylon Sleeve 66" Long	2	17	715-04016	No Step Decal	1
				18	367-001-014	Cable Tie, 8 Inch	25

## VALVE MANIFOLD



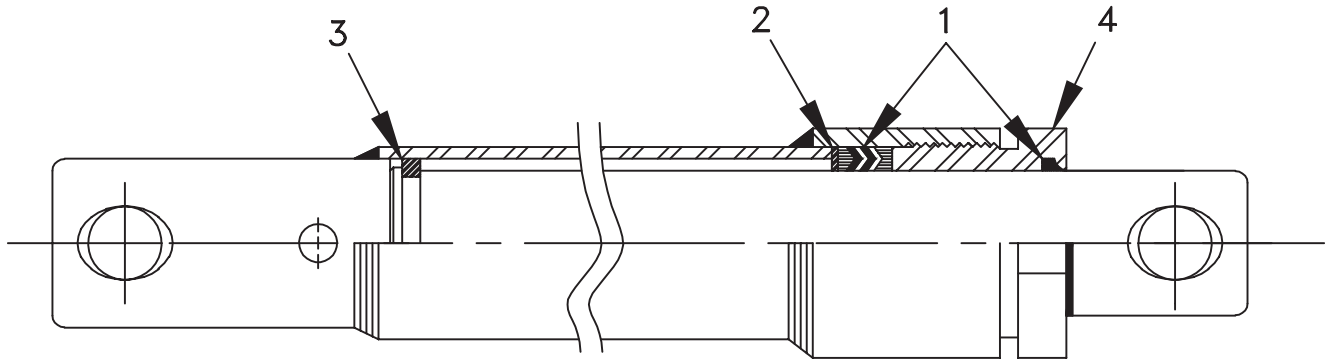
25011105 Valve Manifold

DWG. NO. 4258

REF. NO.	PART NUMBER	DESCRIPTION	QTY.	REF. NO.	PART NUMBER	DESCRIPTION	QTY.
1	25011113	Manifold Block	1	6	25011108	10 Size E-Coil 12VDC	2
2	25011106	Orifice Disc	1	7	25011107	E-Coil Nut	2
3	25011111	SAE Plug	1	8	25011115	Relief Valve Seal Kit	1
4	25011110	Relief Valve	1	9	25011114	Solenoid Seal Kit	1
5	25011109	Solenoid Valve	2				

# SKID STEER C-PLOW SNOWPLOW

## 1 1/2 X 10 HYDRAULIC CYLINDER



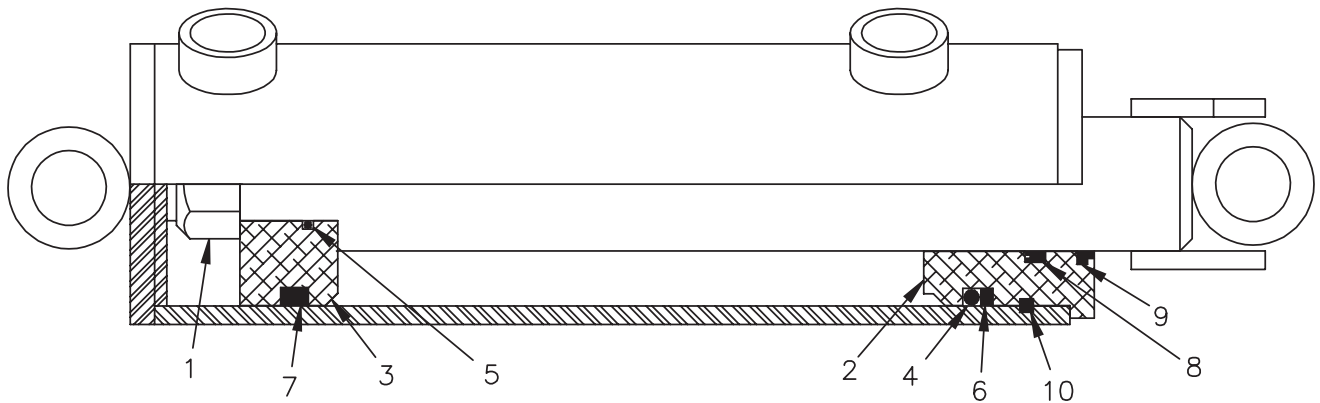
3 OF 3

25010523 1 1/2 x 10 Hydraulic Cylinder

DWG. NO. 3941

REF. NO.	PART NUMBER	DESCRIPTION	QTY.	REF. NO.	PART NUMBER	DESCRIPTION	QTY.
1	25010464	Seal Kit	1	3	25010017	Guide Ring	1
2	25010016	Seat Ring	1	4	25010018	Packing Nut	1

## 2 1/2 X 6 HYDRAULIC CYLINDER



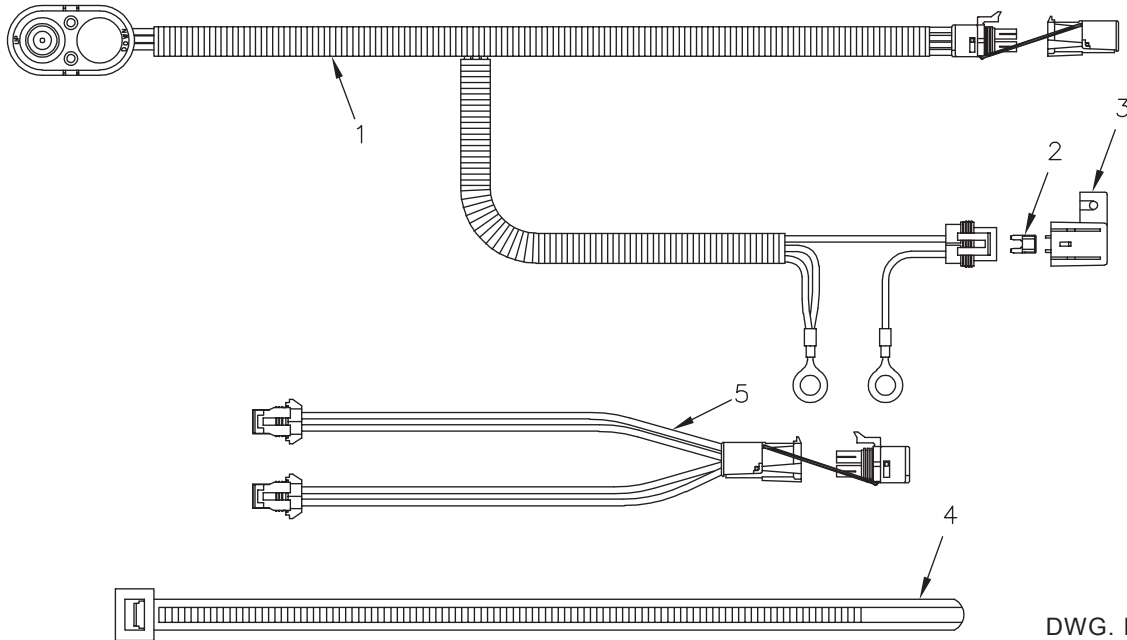
25011400 2 1/2 x 6 Hydraulic Cylinder Models: 880, 881, 890, 891, 2881, 2890, 2891  
 25011102 2 1/2 x 6 Hydraulic Cylinder Model: 380

DWG. NO. 5485

REF. NO.	PART NUMBER	DESCRIPTION	QTY.	REF. NO.	PART NUMBER	DESCRIPTION	QTY.
1	25010970	Nut	1	7		PSP Seal (Included In Repair Kit)	1
2	25011117	Head	1	8		Rod Seal (Included In Repair Kit)	1
3	25011118	Piston	1	9		Dust Seal (Included In Repair Kit)	1
4		O-Ring (Included In Repair Kit)	1	10	25011125	Retaining Ring	1
5		O-Ring (Included In Repair Kit)	1	11	25011128	Repair Kit	
6		Backup (Included In Repair Kit)	1				

# SKID STEER C-PLOW SNOWPLOW

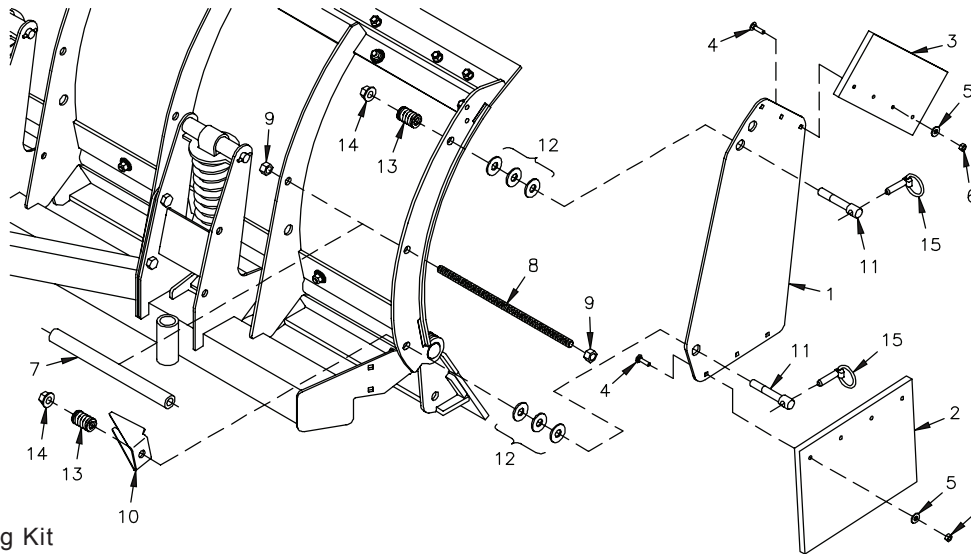
## ELECTRICAL WIRING



DWG. NO. 5226

REF. NO.	PART NUMBER	DESCRIPTION	QTY.	REF. NO.	PART NUMBER	DESCRIPTION	QTY.
1	38813063	Skid Steer Harness C-Plow	1	4	921-001-108	Plastic Cable Tie 3/8 x 28 Inch	A/R
2	39207031	Fuse, 10 Amp ATO/ATC	1	5	38813064	Skid Steer Plow Harness	1
3	38400012	Cover, Fuse Holder	1				

## WING KIT-TRIP EDGE PLOWS MODELS: 880, 881, 890, 891, 2881, 2890, 2891



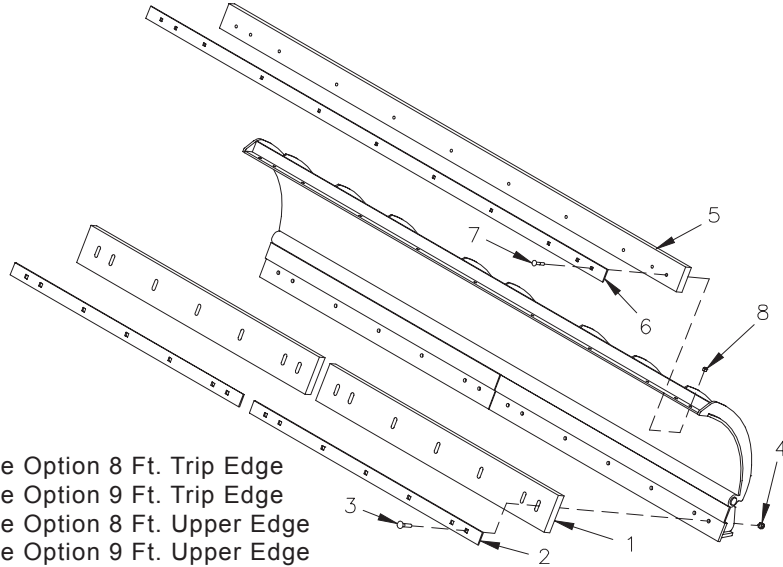
25011508 Wing Kit

DWG. NO. 6541

REF. NO.	PART NUMBER	DESCRIPTION	QTY.	REF. NO.	PART NUMBER	DESCRIPTION	QTY.
1	25011502	Wing Blank	2	9	10304	Lock Nut 1/2-13, 2-Way	4
2	25010840	Lower Wing Rubber	2	10	25011503	Gusset	2
3	25010841	Upper Wing Rubber	2	11	25011504	Quick Attach Bolt	4
4	030-12020	Carriage Bolt 1/4-20 x 1 Gr. 5	12	12	952-002-005	Flat Washer 1/2 Inch	16
5	952-002-011	Flat Washer 1/4 Inch	12	13	25011506	Compression Spring	4
6	951-005-089	Lock Nut 1/4-20 2-Way	12	14	951-005-055	Lock Nut 1/2-13 Mac Lock	4
7	25012734	Pipe	2	15	25011577	Lynch Pin 7/16 x 1 3/4	4
8	25012733	Threaded Rod	2				

## SKID STEER C-PLOW SNOWPLOW

### RUBBER CUTTING EDGES MODELS: 880, 881, 890, 891, 2881, 2890, 2891

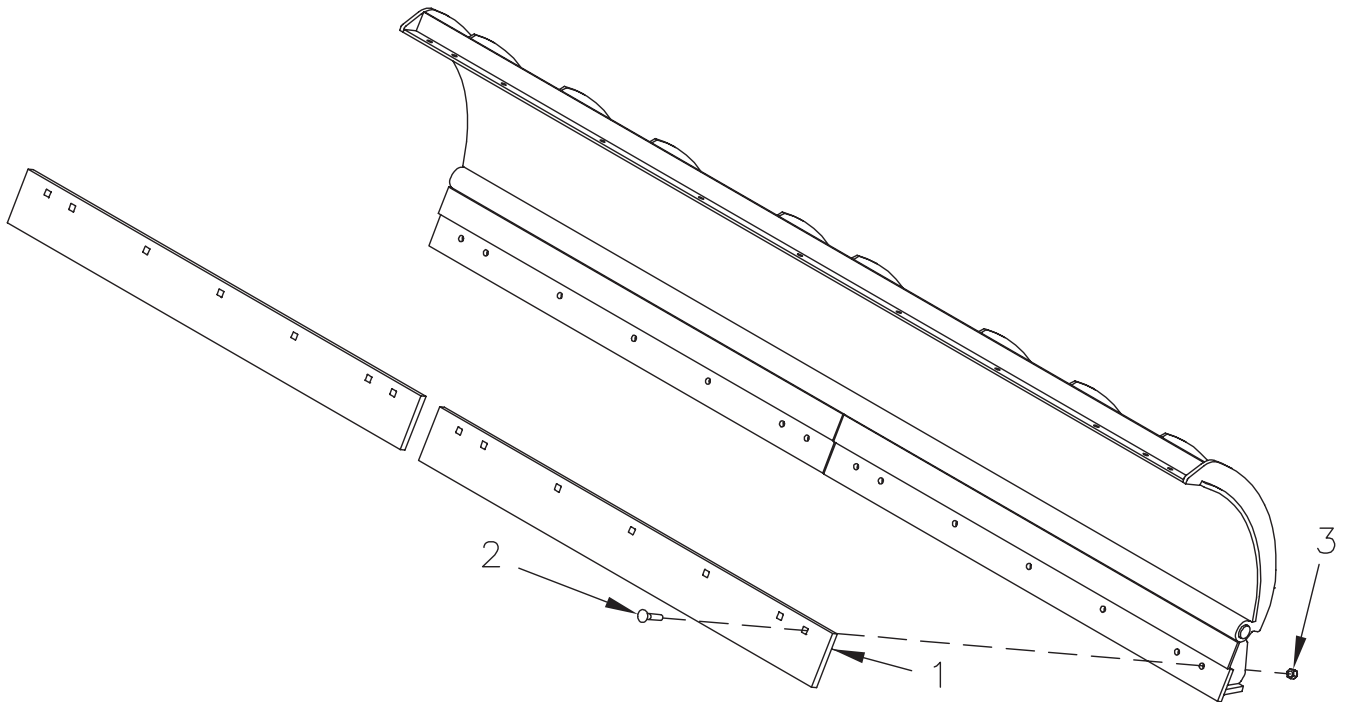


- 25011702 Rubber Cutting Edge Option 8 Ft. Trip Edge
- 25011703 Rubber Cutting Edge Option 9 Ft. Trip Edge
- 25011704 Rubber Cutting Edge Option 8 Ft. Upper Edge
- 25011705 Rubber Cutting Edge Option 9 Ft. Upper Edge

DWG. NO. 5683

REF. NO.	PART NUMBER	DESCRIPTION	QTY.	REF. NO.	PART NUMBER	DESCRIPTION	QTY.
1	25011770	48" Rubber Cutting Edge For 8 Ft. Plow	2	5	25012020	Rubber Cutting Edge 8 Ft.	1
	25011773	54" Rubber Cutting Edge For 9 Ft. Plow	2		25012021	Rubber Cutting Edge 9 Ft.	1
2	25011772	Strap 8 Ft. Trip Edge Plow	2	6	25011766	Strap 8 Ft.	1
	25011775	Strap 9 Ft. Trip Edge Plow	2		25011769	Strap 9 Ft.	1
3	030-16136	Carriage Bolt 1/2-13 x 2 1/2 Gr. 5	14	7	950-003-070	Carriage Bolt 3/8-16 x 2 Gr. 5	11
4	951-003-009	Lock Nut 1/2-13 Nylon Insert	14	8	951-003-002	Lock Nut 3/8-16 Nylon Insert	11

### 1/2" THICK CUTTING EDGES MODELS: 880, 881, 890, 891, 2881, 2890, 2891

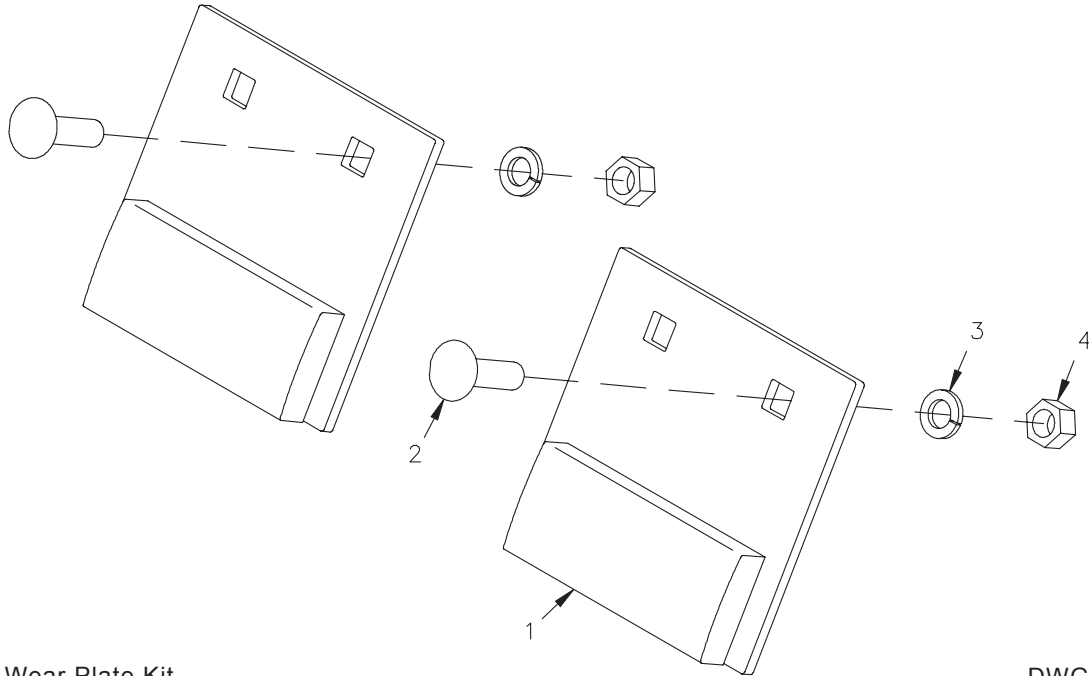


DWG. NO. 5891

REF. NO.	PART NUMBER	DESCRIPTION	QTY.	REF. NO.	PART NUMBER	DESCRIPTION	QTY.
1	25012027	48" Cutting Edge For 8' Plow, 1/2" Thick	2	2	030-16136	Carriage Bolt 1/2-13 x 2 1/2 Gr. 5	14
	25012029	54" Cutting Edge For 9' Plow, 1/2" Thick	2	3	951-003-009	Lock Nut 1/2-13 Nylon Insert	14

# SKID STEER C-PLOW SNOWPLOW

## WEAR PLATE KIT

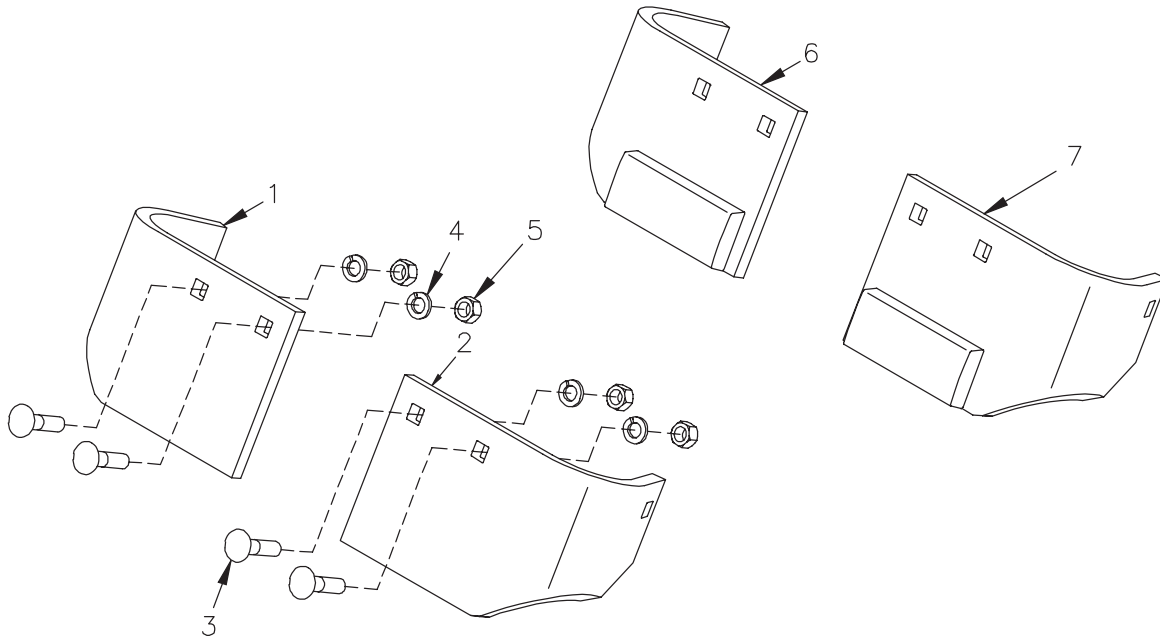


25012587 Wear Plate Kit

DWG. NO. 6331

REF. NO.	PART NUMBER	DESCRIPTION	QTY.	REF. NO.	PART NUMBER	DESCRIPTION	QTY.
1	25012588	Wear Plate Weldment	2	3	952-001-004	Lock Washer 1/2 Inch	4
2	950-003-058	Carriage Bolt 1/2-13 x 1 3/4 Gr. 5	4	4	951-001-007	Hex Nut 1/2-13	4

## CURB GUARD KITS



25011695 Curb Guard Kit - Standard  
25012726 Curb Guard Kit With Wear Bars

DWG. NO. 5486

REF. NO.	PART NUMBER	DESCRIPTION	QTY.	REF. NO.	PART NUMBER	DESCRIPTION	QTY.
1	25011712	RH Curb Guard - Standard	1	5	951-001-007	Hex Nut 1/2-13	4
2	25011713	LH Curb Guard - Standard	1	6	25012722	RH Curb Guard With Wear Bar	1
3	950-003-025	Carriage Bolt 1/2-13 x 2 Gr. 5	4	7	25012723	LH Curb Guard With Wear Bar	1
4	952-001-004	Lock Washer 1/2 Inch	4				