

SECTION 2

V-PLOWS

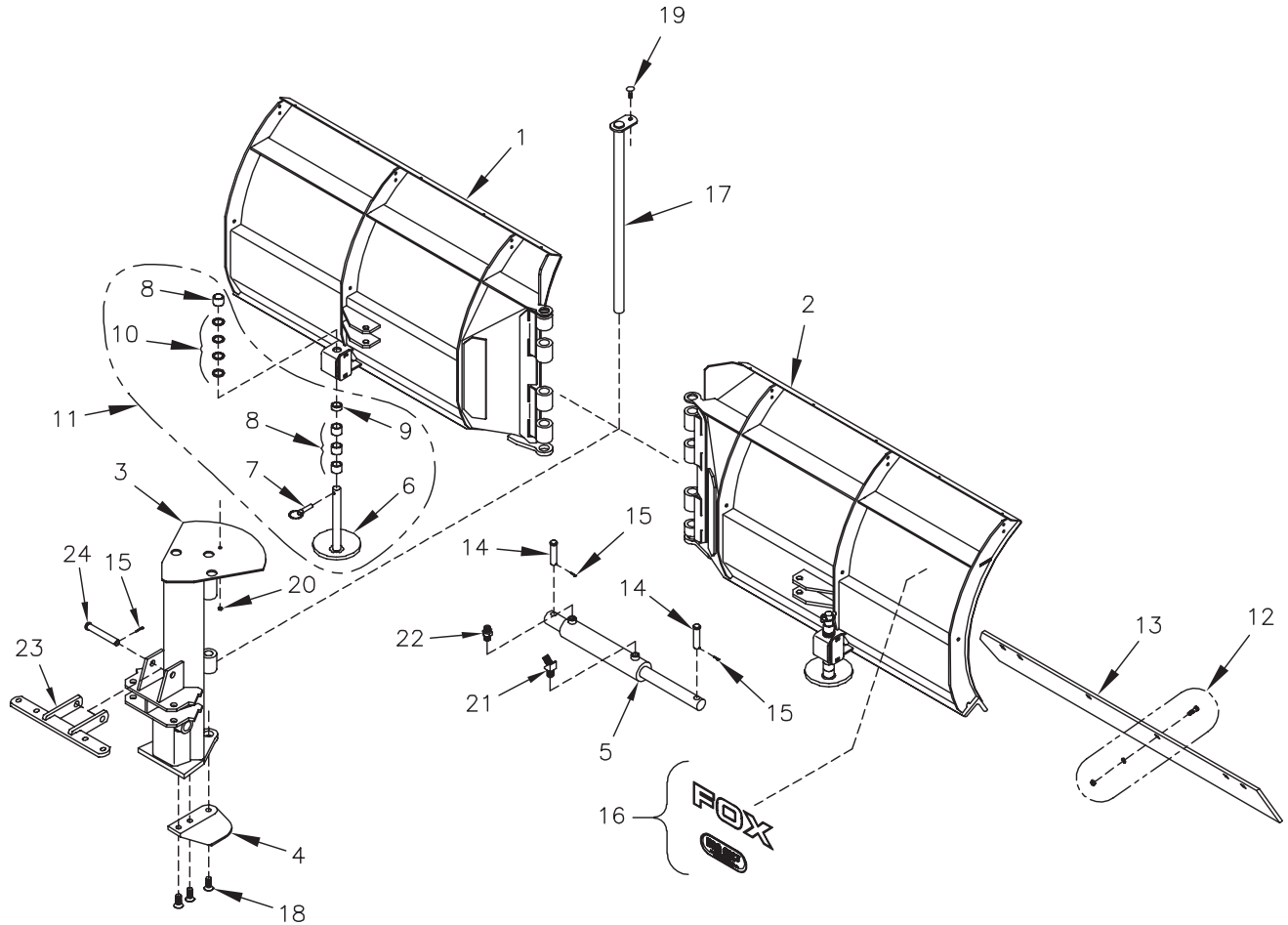
MODELS 185, 985, 995, 2185, 2985, 2995

PAGE 2	MOLDBOARD ASSEMBLY MODELS 185, 2185
PAGE 3	MOLDBOARD ASSEMBLIES MODELS 985, 995, 2985, 2995
PAGE 4	FRAME ASSEMBLY MODELS 185, 2185
PAGE 5	FRAME ASSEMBLY MODELS 985, 995, 2985, 2995
PAGE 6	HYDRAULIC OVERVIEW MODELS 185, 2185 2 1/4 X 10 HYDRAULIC CYLINDER
PAGE 7	HYDRAULIC OVERVIEW MODELS 985, 995, 2985, 2995 1 3/4 X 10 CYLINDER
PAGE 8	VALVE MANIFOLD ELECTRICAL WIRING
PAGE 9	POLY SNOW DEFLECTOR KIT RUBBER SNOW DEFLECTOR KIT
PAGE 10	WEAR PLATE KIT CURB GUARD KITS
PAGE 11	1/2" THICK CUTTING EDGES MODELS 985, 995, 2985, 2995

SKID STEER V-PLOW SNOWPLOW

MOLDBOARD ASSEMBLY MODELS 185, 2185

SEC
2

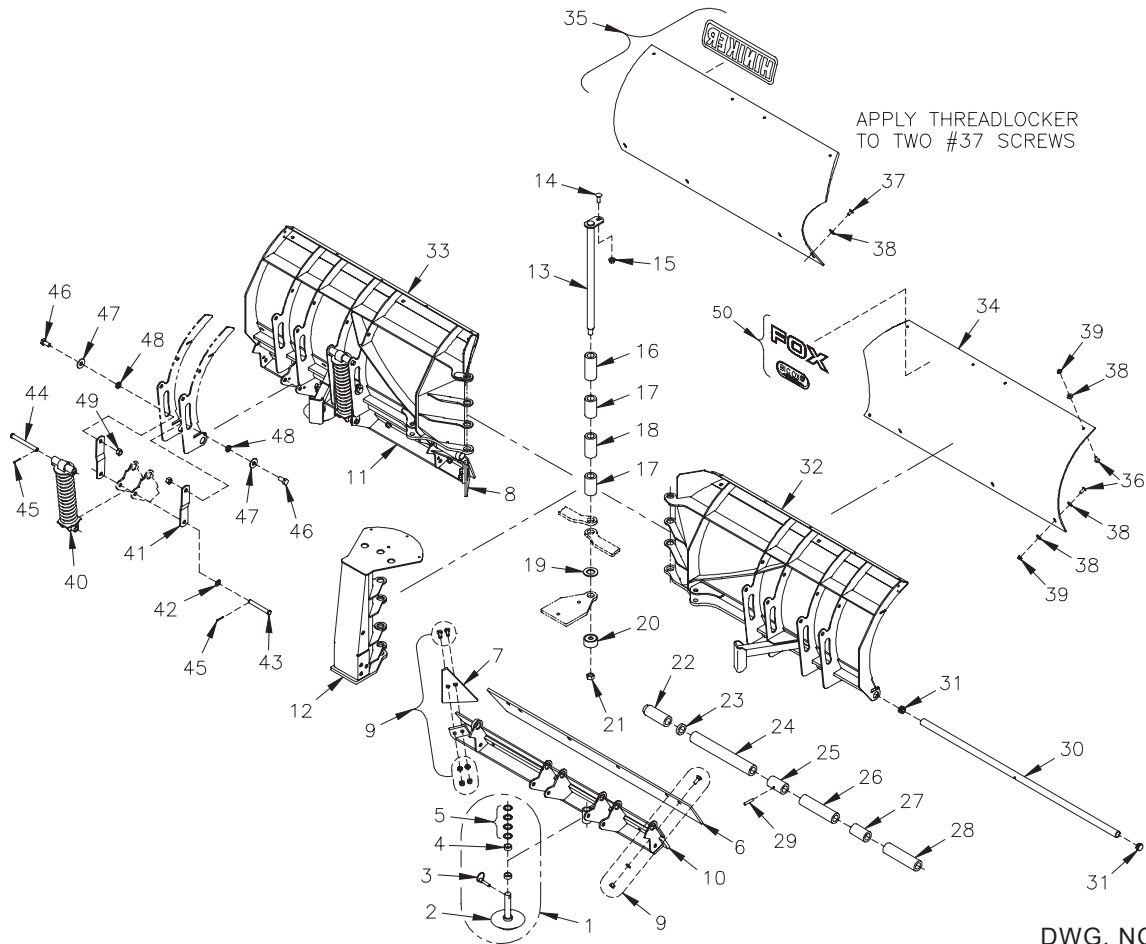


DWG. NO. 5186A

REF. NO.	PART NUMBER	DESCRIPTION	QTY.	REF. NO.	PART NUMBER	DESCRIPTION	QTY.
1	25011155	LH Wing Weldment 8 1/2 Ft.	1	14	953-002-032	Clevis Pin 3/4 x 3	4
2	25011156	RH Wing Weldment 8 1/2 Ft.	1	15	035-42033	Cotter Pin 5/32 x 1 1/4	5
3	25011154	Center Mast Weldment	1	16	715-05008	Fox Decal	1
4	25010813	Cone Casting	1		36360403	Big Ox Decal	1
5	25011080	2 1/4 x 10 Cylinder (See Sec. 2, Page 6)	2	17	25010868	Hinge Pin Weldment	1
6	25011478	Cast Iron Skid	2	18	950-011-052	Flat Socket Head Cap Screw 5/8-11 x 1 1/4	3
7	25010319	Klik Pin	2	19	950-003-029	Carriage Bolt 3/8 x 1 Gr. 5	1
8	25010049	1" Skid Spacer	8	20	951-005-003	Lock Nut 3/8-16 Mac Lock	1
9	25010048	1/2" Skid Spacer	2	21	956-005-023	45° Adapter 9/16 ORB x 9/16 JIC	2
10	952-004-071	Machinery Bushing	8	22	206-01024	Straight Adapter 9/16 ORB x 9/16 JIC	2
11	25011487	Cast Iron Skid Assy	2	23	25011499	Spring Bar Weldment	1
12	25011042	Cutting Edge Bolt Kit	1	24	953-002-038	Clevis Pin 3/4 x 5 1/2	1
13	25010688	50" Cutting Edge	2				

SKID STEER V-PLOW SNOWPLOW

MOLDBOARD ASSEMBLIES MODELS 985, 995, 2985, 2995



DWG. NO. 6118A

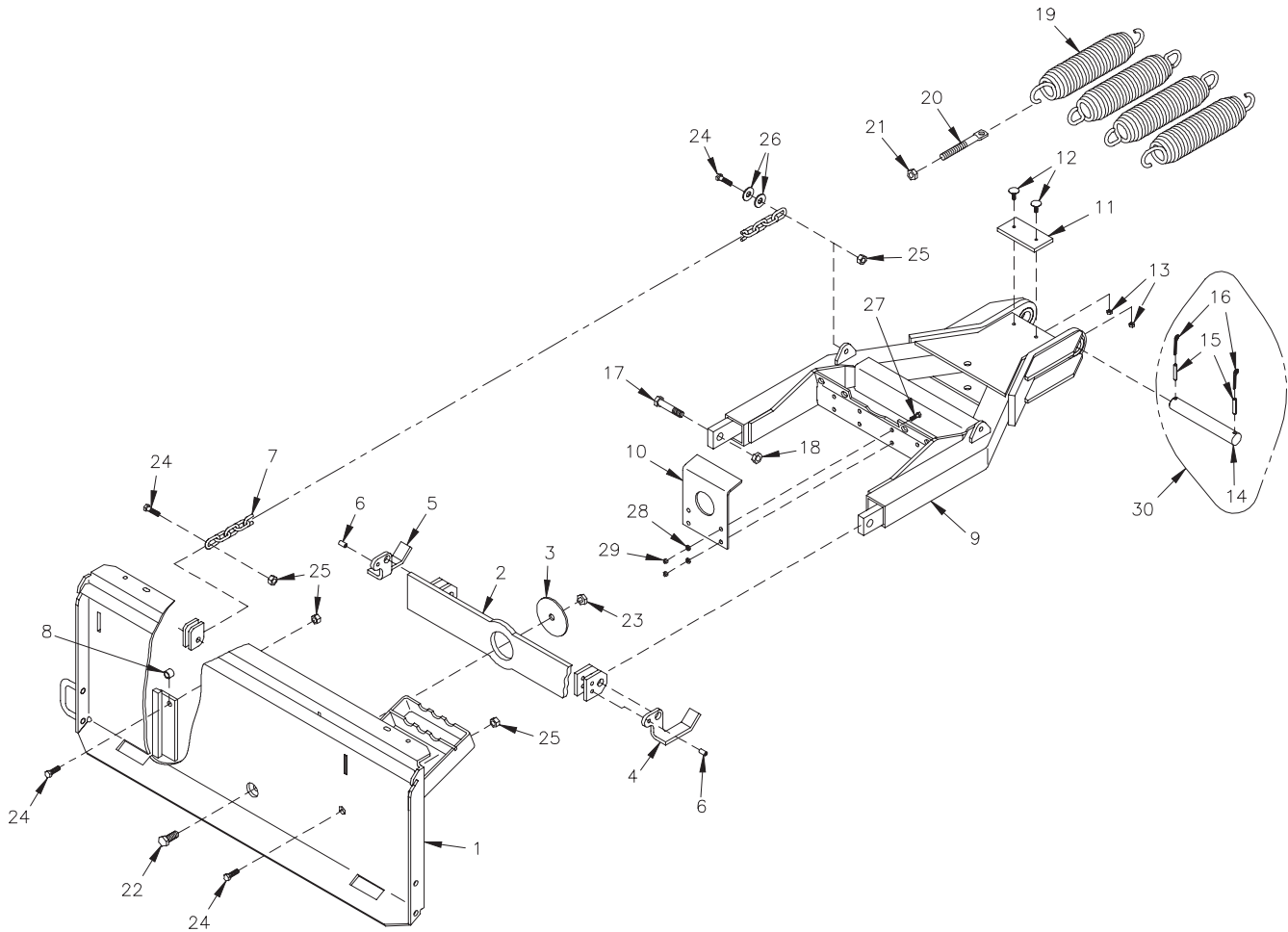
REF. NO.	PART NUMBER	DESCRIPTION	QTY.	REF. NO.	PART NUMBER	DESCRIPTION	QTY.
1	25012297	Skid Assembly	2	27	25011338	Bushing, 3 3/8" Long	2
2	25012316	Cast Skid Shoe	2	28	25012320	Bushing, 7 5/8" Long	2
3	25010319	Lynch Pin	2	29	30009024	Slotted Spring Pin 3/8 x 2	2
4	25010048	1/2" Spacer	4	30	25012381	Trip Pin 8 1/2' Plow	2
5	952-004-071	Machinery Bushing	8	31	25012323	Trip Pin 9 1/2' Plow	2
6	25012272	49 5/8" Cutting Edge, 8 1/2' Plow	2	32	25012375	End Cap	4
	25012273	55 5/8" Cutting Edge, 9 1/2' Plow	2	33	25012376	RH Wing Frame Weldment, 8 1/2' Plow	1
7	25012310	RH Center Cutting Edge Plate	1		25012313	RH Wing Frame Weldment, 9 1/2' Plow	1
8	25012311	LH Center Cutting Edge Plate	1	33	25012377	LH Wing Frame Weldment, 8 1/2' Plow	1
9	25012296	Cutting Edge Bolt Kit	1		25012312	LH Wing Frame Weldment, 9 1/2' Plow	1
10	25012378	RH Trip Edge Weldment, 8 1/2' Plow	1	34	25012380	Poly Moldboard Blank, 8 1/2' Plow	1
	25012315	RH Trip Edge Weldment, 9 1/2' Plow	1		25012322	Poly Moldboard Blank, 9 1/2' Plow	1
11	25012379	LH Trip Edge Weldment, 8 1/2' Plow	1	35	25012295	Poly Blank/Logo Decal Assembly, 8 1/2' Plow	1
	25012314	LH Trip Edge Weldment, 9 1/2' Plow	1		25012298	Poly Blank/Logo Decal Assembly, 9 1/2' Plow	1
12	25012307	Center Mast Weldment	1	36	700-11704	Machine Screw 3/8-16 x 1 Slotted Truss Head	14
13	25012304	Hinge Pin Weldment	1	37	950-004-108	Machine Screw 3/8-16 x 3/4 Slotted Truss Head	2
14	030-16130	Carriage Bolt 1/2-13 x 1 Gr. 5	1	38	952-002-013	Flat Washer 3/8 Inch, Stainless Steel	22
15	951-005-055	Lock Nut 1/2-13 Mac Lock	1	39	951-005-003	Lock Nut 3/8-16 Mac Lock	14
16	25012301	Bushing, 4 11/16" Long	1	40	25011373	Spring Assembly	4
17	25011442	Bushing, 3 17/32" Long	2	41	25012306	Strap	8
18	25012302	Bushing 4" Long	1	42	952-004-040	Machinery Bushing 21/32 x 1 1/8 x .048	4
19	033-11017	Flat Washer, 1 1/4 Inch SAE	1	43	953-002-049	Clevis Pin 5/8 x 4 3/4	4
20	25012303	Washer Weldment	1	44	953-002-045	Clevis Pin 5/8 x 6	4
21	951-005-037	Lock Nut 3/4-10, 2-Way	1	45	035-42033	Cotter Pin 5/32 x 1 1/4	8
22	25012317	Bushing 5 3/8" Long	2	46	031-06302	Hex Head Cap Screw 5/8-11 x 1 1/4 Gr. 5	8
23	25011342	Bushing 13/32" Long	2	47	952-002-007	Flat Washer 5/8 Inch	8
24	25012651	Bushing 14 7/16" Long	2	48	25012305	Bushing	8
25	25011341	Bushing 3 3/8" Long, Steel	2	49	951-005-044	Lock Nut 5/8-11, 2-Way	8
26	25011441	Bushing 7 29/32" Long, 8 1/2' Plow	2	50	715-05008	Fox Decal	1
	25012319	Bushing 13 29/32" Long, 9 1/2' Plow	2		36360403	Big Ox Decal	1

SEC
2

SKID STEER V-PLOW SNOWPLOW

FRAME ASSEMBLY MODELS 185, 2185

SEC
2



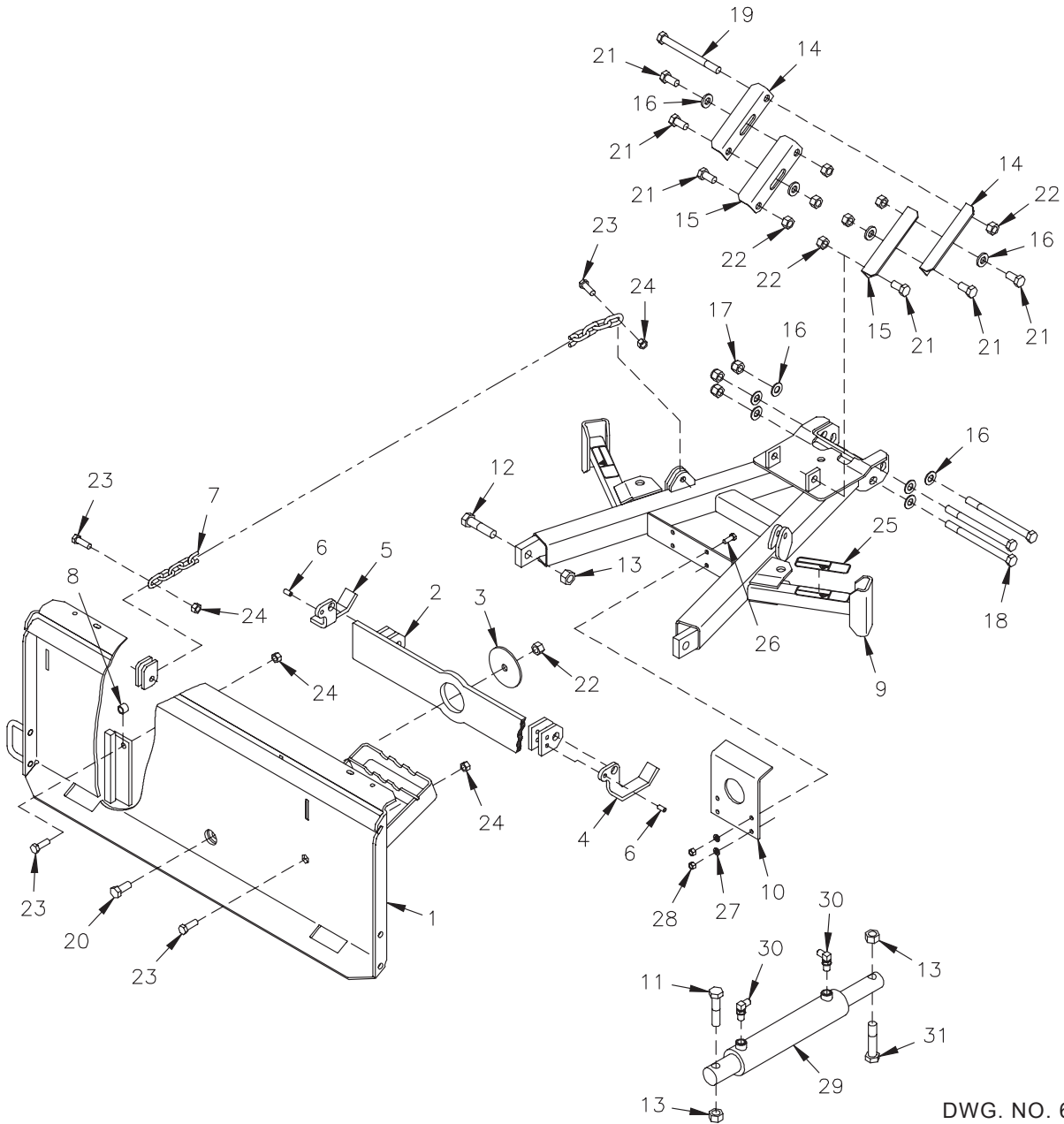
DWG. NO. 5187

REF. NO.	PART NUMBER	DESCRIPTION	QTY.	REF. NO.	PART NUMBER	DESCRIPTION	QTY.
1	25012719	Mount Plate Weldment	1	16	953-001-022	Cotter Pin 1/8 x 2 1/2	2
2	25011255	Bar Weldment	1	17	950-001-031	Hex Head Cap Screw 3/4-10 x 3 Gr. 5	2
3	25011254	Washer	1	18	951-005-037	Lock Nut 3/4-10 2-Way	2
4	25011253	Right Foot	1	19	25010694	Extension Spring	4
5	25011252	Left Foot	1	20	25010689	Spring Stud	4
6	953-003-035	Slotted Spring Pin 3/8 x 3/4	2	21	060756	Lock Nut 5/8-11, Nylon Insert	4
7	25011251	Chain	2	22	950-001-087	Hex Head Cap Screw 5/8-11 x 1 1/2 Gr. 5	1
8	25011250	Spacer	2	23	951-005-044	Lock Nut 5/8-11 2-Way	1
9	25011276	Push Frame Weldment	1	24	950-001-125	Hex Head Cap Screw 1/2 x 1 1/2 Gr. 5	6
10	25011269	Stop	1	25	10304	Lock Nut 1/2-13 2-Way	6
11	25011270	Bumper Pad	1	26	952-002-005	Flat Washer 1/2 Inch	4
12	950-011-051	Elevator Bolt 1/4-20 x 1	2	27	950-001-105	Hex Head Cap Screw 3/8-16 x 1 Gr. 5	4
13	951-001-003	Hex Nut 1/4-20	2	28	952-001-007	Lock Washer, 3/8 Inch	4
14	25011059	Trip Pin	1	29	951-001-005	Hex Nut 3/8-16	4
15	953-003-011	Slotted Spring Pin 5/16 x 1 3/4	2	30	25011040	Trip Pin Kit	1

SKID STEER V-PLOW SNOWPLOW

SEC 2

FRAME ASSEMBLY MODELS 985, 995, 2985, 2995

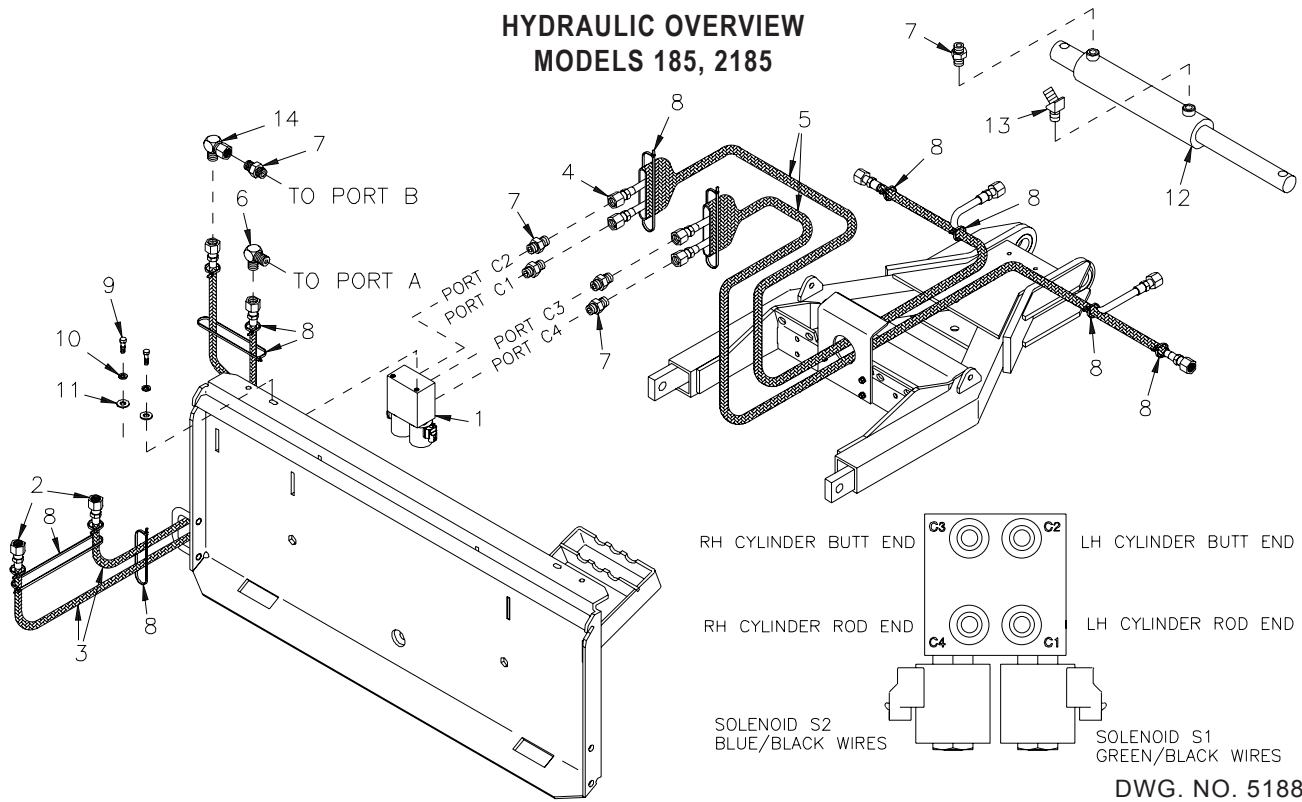


DWG. NO. 6119A

REF. NO.	PART NUMBER	DESCRIPTION	QTY.	REF. NO.	PART NUMBER	DESCRIPTION	QTY.
1	25012719	Mount Plate Weldment	1	17	060756	Lock Nut 5/8-11 Nylon Insert	3
2	25011255	Bar Weldment	1	18	950-001-238	Hex Head Cap Screw 5/8-11 x 8 Gr. 5	3
3	25011254	Washer Weldment	1	19	950-001-143	Hex Head Cap Screw 5/8-11 x 7 Gr. 5	1
4	25011253	Right Foot	1	20	950-001-087	Hex Head Cap Screw 5/8-11 x 1 1/2 Gr. 5	1
5	25011252	Left Foot	1	21	031-06302	Hex Head Cap Screw 5/8-11 x 1 1/4 Gr. 5	6
6	953-003-035	Slotted Spring Pin 3/8 x 3/4	2	22	951-005-044	Lock Nut 5/8-11 2-Way	8
7	25011251	Chain	2	23	950-001-125	Hex Head Cap Screw 1/2-13 x 1 1/2 Gr. 5	6
8	25011250	Spacer	2	24	10304	Lock Nut 1/2-13 2-Way	6
9	25012450	Push Frame/Decal Assembly	1	25	25012271	Warning Decal	2
10	25011269	Stop	1	26	950-001-105	Hex Head Cap Screw 3/8-16 x 1 Gr. 5	4
11	950-001-069	Hex Head Cap Screw 3/4-10 x 3 1/4 Gr. 5	2	27	952-001-007	Lock Washer 3/8 Inch	4
12	950-001-031	Hex Head Cap Screw 3/4-10 x 3 Gr. 5	2	28	951-001-005	Hex Nut 3/8-16	4
13	951-005-037	Lock Nut 3/4-10 2-Way	6	29	25011080	2 1/4 x 10 Hydraulic Cylinder (See Sec. 2, Page 6)	2
14	25012286	Upper Angle Brace	2	30	956-005-022	90° Adapter 9/16 ORB x 9/16 JIC	4
15	25012287	Lower Angle Brace	2	31	950-001-174	Hex Head Cap Screw 3/4-10 x 3 1/2 Gr. 5	2
16	952-004-070	SAE Flat Washer 5/8" Hardened	10				

SKID STEER V-PLow SNOWPLOW

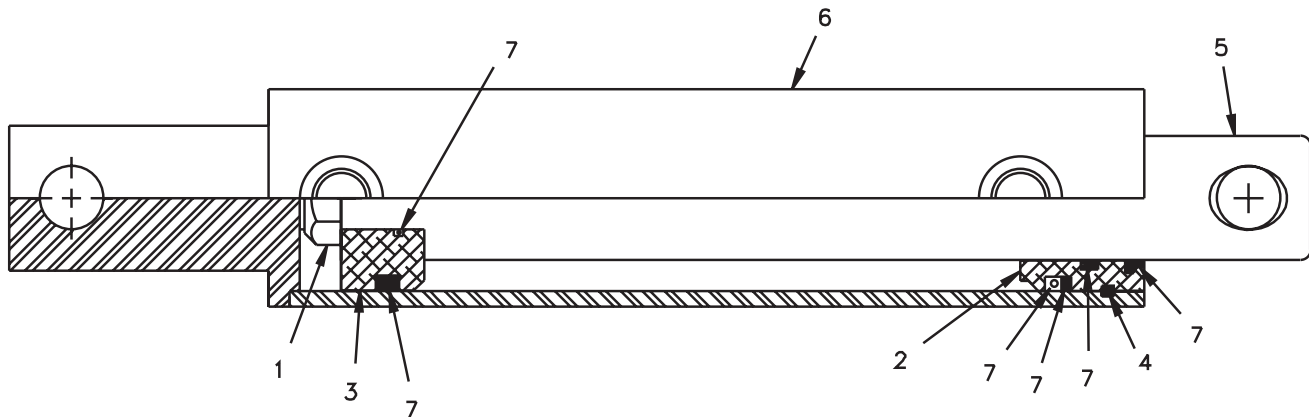
HYDRAULIC OVERVIEW MODELS 185, 2185



DWG. NO. 5188A

REF. NO.	PART NUMBER	DESCRIPTION	QTY.	REF. NO.	PART NUMBER	DESCRIPTION	QTY.
1	25011243	Valve Manifold Assembly (See Sec. 2, Page 8)	1	8	367-001-014	Plastic Cable Tie 8"	19
2	957-001-017	Hydraulic Hose Assembly 3/8 x 72"	2	9	950-001-105	Hex Head Cap Screw 3/8-16 x 1 Gr. 5	2
3	25011131	Nylon Sleeve 72" Long	2	10	952-001-007	Lock Washer 3/8 Inch	2
4	957-010-006	Hydraulic Hose Assembly 1/4 x 66"	4	11	952-002-003	Flat Washer 3/8 Inch	2
5	25011319	Nylon Sleeve 66" Long	2	12	25011080	2 1/4 x 10 Cylinder	2
6	956-005-022	90° Adapter 9/16 ORB x 9/16 JIC	1	13	956-005-023	45° Adapter 9/16 ORB x 9/16 JIC	2
7	206-01024	Straight Adapter 9/16 ORB x 9/16 JIC	7	14	956-005-002	90° Adapter 9/16 JIC	1

2 1/4 X 10 HYDRAULIC CYLINDER



25011080 2 1/4 x 10 Cylinder

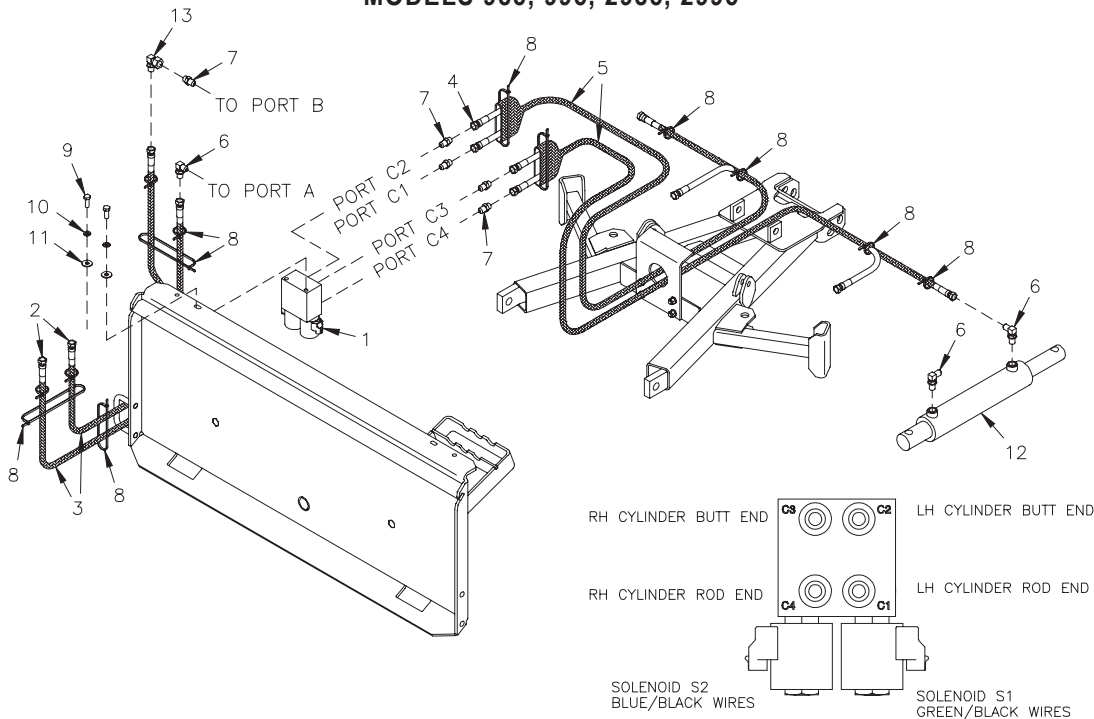
DWG. NO. 5189

REF. NO.	PART NUMBER	DESCRIPTION	QTY.	REF. NO.	PART NUMBER	DESCRIPTION	QTY.
1	25011119	Nut	1	5	25011123	Shaft	1
2	25011120	Head	1	6	25011124	Barrel	1
3	25011121	Piston	1	7	25011145	Repair Kit	1
4	25011122	Retaining Ring	1				

SKID STEER V-PLOW SNOWPLOW

SEC 2

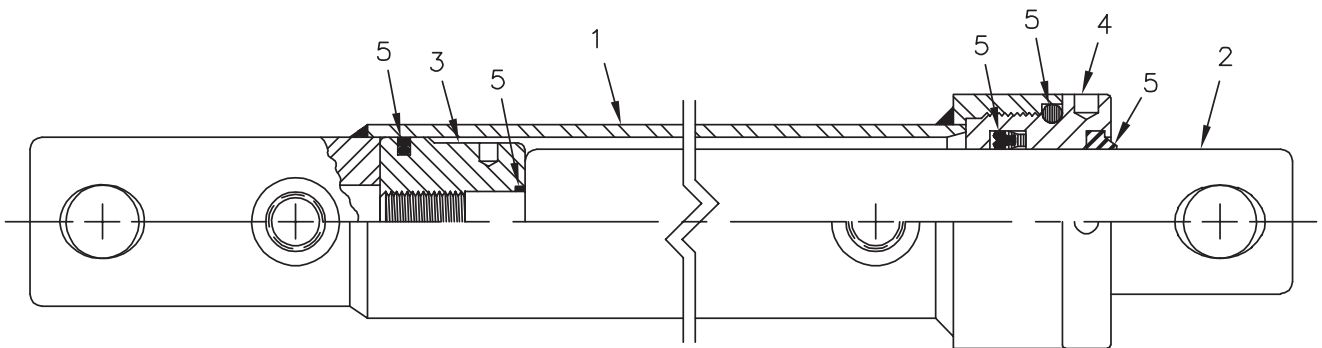
HYDRAULIC OVERVIEW MODELS 985, 995, 2985, 2995



DWG. NO. 6120A

REF. NO.	PART NUMBER	DESCRIPTION	QTY.	REF. NO.	PART NUMBER	DESCRIPTION	QTY.
1	25011243	Valve Manifold Assembly (See Sec. 2, Page 8)	1	8	367-001-014	Plastic Cable Tie 8"	13
2	957-001-017	Hydraulic Hose Assembly 3/8 x 72"	2	9	950-001-105	Hex Head Cap Screw 3/8-16 x 1 Gr. 5	2
3	25011131	Nylon Sleeve 72" Long	2	10	952-001-007	Lock Washer 3/8 Inch	2
4	957-010-008	Hydraulic Hose Assembly 1/4 x 48"	4	11	952-002-003	Flat Washer 3/8 Inch	2
5	25012547	Nylon Sleeve 48" Long	2	12	25011080	2 1/4 x 10 Hydraulic Cylinder	2
6	956-005-022	90° Adapter 9/16 ORB x 9/16 JIC	5	13	956-005-002	90° Adapter 9/16 JIC	1
7	206-01024	Straight Adapter 9/16 ORB x 9/16 JIC	5				

1 3/4 X 10 HYDRAULIC CYLINDER - NON CURRENT



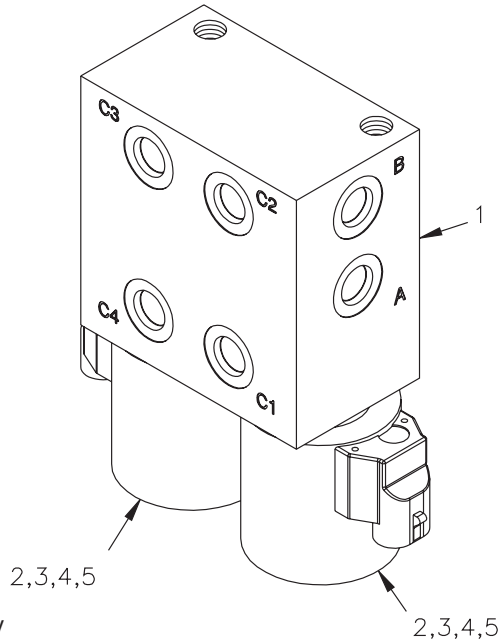
DWG. NO. 5878

REF. NO.	PART NUMBER	DESCRIPTION	QTY.	REF. NO.	PART NUMBER	DESCRIPTION	QTY.
1	25012055	Body Assembly	1	4	25012052	Rod Gland	1
2	25012054	Rod	1	5	25012088	Seal Kit	1
3	25012053	Piston	1				

SKID STEER V-PLOW SNOWPLOW

SEC 2

VALVE MANIFOLD

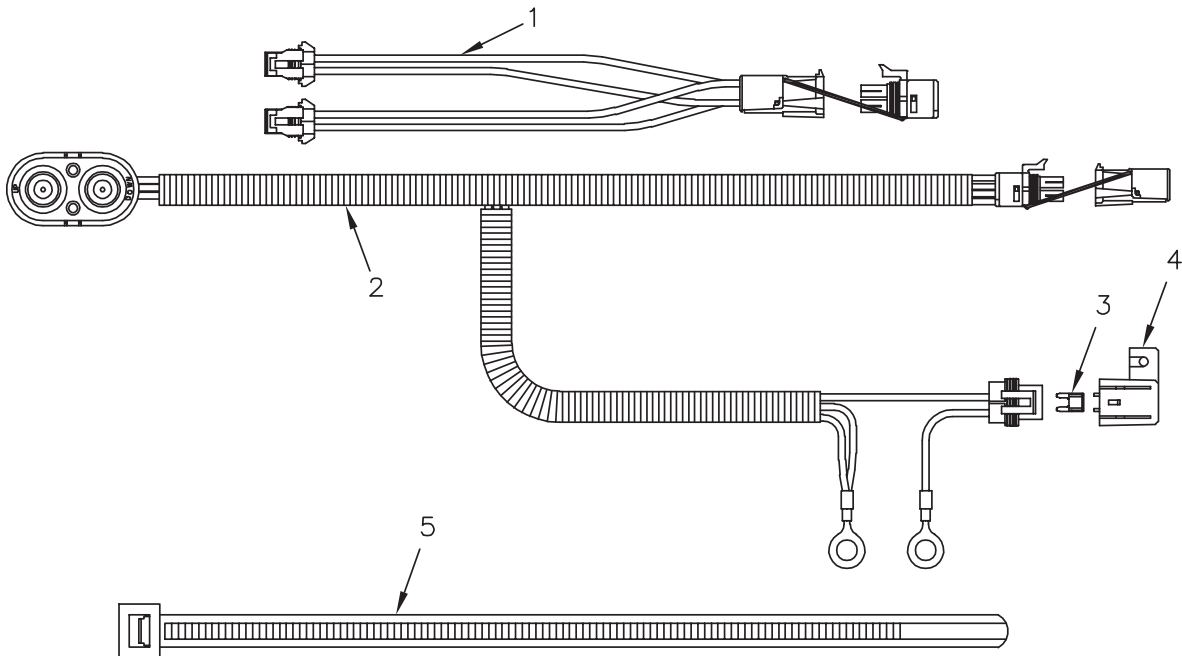


25011243 Valve Manifold Assembly

DWG. NO. 5190

REF. NO.	PART NUMBER	DESCRIPTION	QTY.	REF. NO.	PART NUMBER	DESCRIPTION	QTY.
1	25011241	Manifold Block	1	4	25011108	10 Size E-Coil	2
2	25011106	Orifice Disc	2	5	25011107	E-Coil Nut	2
3	25011240	Spool Valve	2	6	25011242	Seal Kit, Solenoid	2

ELECTRICAL WIRING



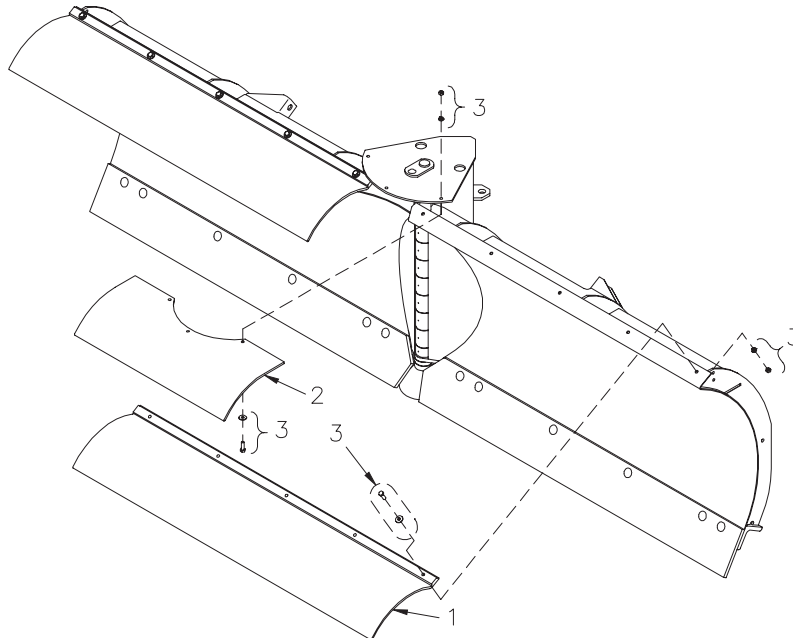
DWG. NO. 5227

REF. NO.	PART NUMBER	DESCRIPTION	QTY.	REF. NO.	PART NUMBER	DESCRIPTION	QTY.
1	38813064	Skid Steer Plow Harness	1	4	38400012	Cover, Fuse Holder	1
2	38813065	Skid Steer Harness V-Plow	1	5	921-001-108	Plastic Cable Tie 3/8 x 28 Inch	A/R
3	39207031	Fuse 10 AMP ATO/ATC	1				

SKID STEER V-PLOW SNOWPLOW

SEC
2

POLY SNOW DEFLECTOR KIT

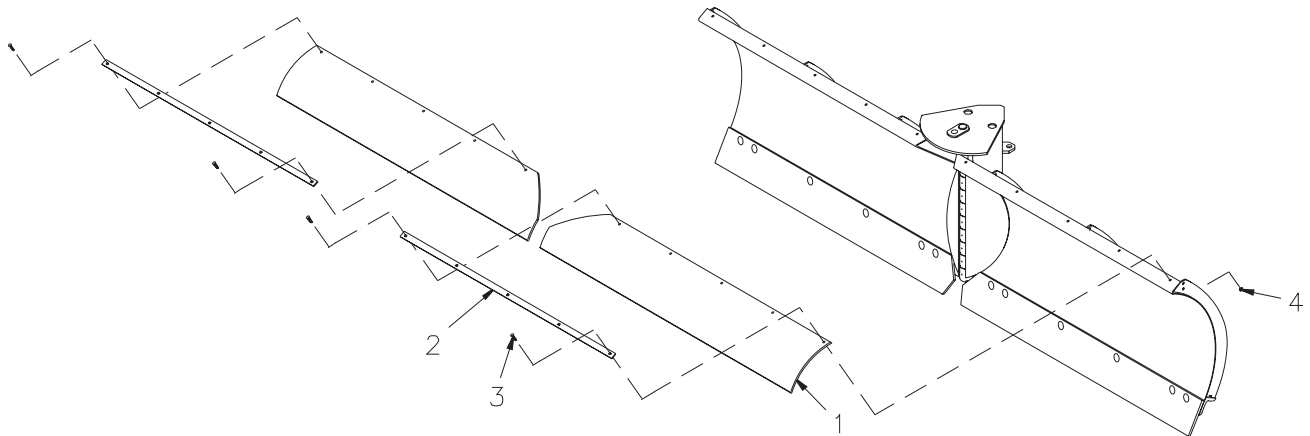


25011791 Poly Snow Deflector Kit For 8 1/2' V-Plow
25011792 Poly Snow Deflector Kit For 9 1/2' V-Plow

DWG. NO. 5741

REF. NO.	PART NUMBER	DESCRIPTION	QTY.	REF. NO.	PART NUMBER	DESCRIPTION	QTY.
1	25011794 25011982	8' Snow Deflector Extrusion (Cut Into Two Lengths) 4 1/2' Snow Deflector Extrusion	1 2	2 3	25011796 25011793	Center Deflector Bolt Box, Snow Deflector	1 1

RUBBER SNOW DEFLECTOR KIT



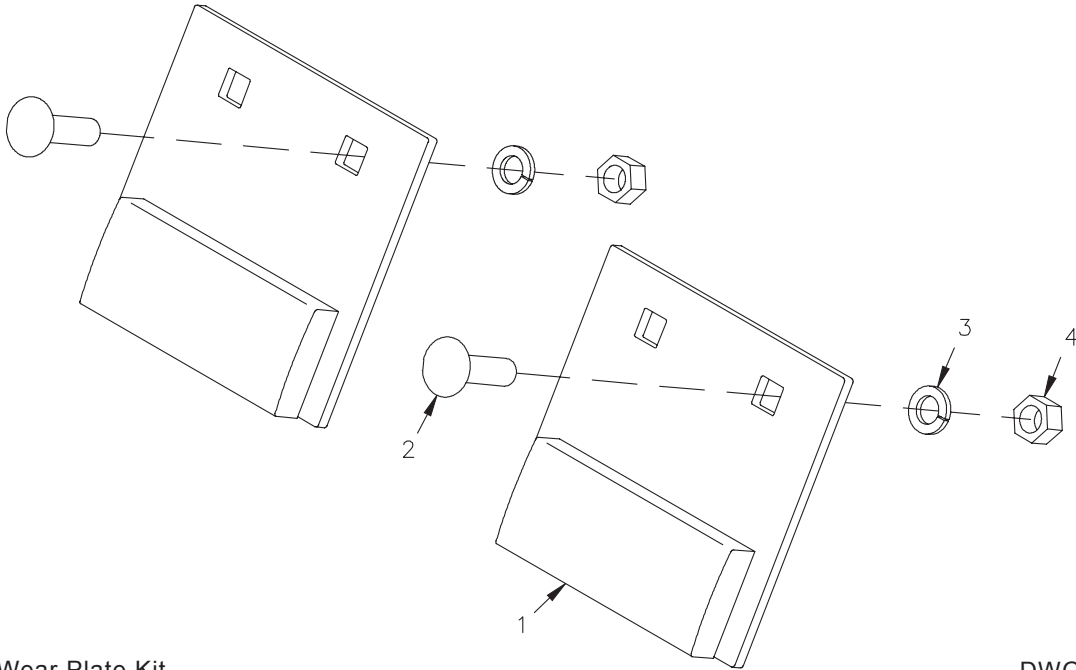
25010633 Snow Deflector Kit For 8 1/2' V-Plow
25010910 Snow Deflector Kit For 9 1/2' V-Plow

DWG. NO. 5191

REF. NO.	PART NUMBER	DESCRIPTION	QTY.	REF. NO.	PART NUMBER	DESCRIPTION	QTY.
1	25010695 25010912	Snow Deflector, 8 1/2' V-Plow Snow Deflector, 9 1/2' V-Plow	2 2	3	030-16042 030-16042	Carriage Bolt 5/16-18 x 1 Gr. 5, 8 1/2' V-Plow Carriage Bolt 5/16-18 x 1 Gr. 5, 9 1/2' V-Plow	10 12
2	25010690 25010911	Snow Deflector Strap, 8 1/2' V-Plow Snow Deflector Strap, 9 1/2' V-Plow	2 2	4	951-005-036 951-005-036	Lock Nut 5/16-18 x 1 Mac Lock, 8 1/2' V-Plow Lock Nut 5/16-18 x 1 Mac Lock, 9 1/2' V-Plow	10 12

SKID STEER V-PLOW SNOWPLOW

WEAR PLATE KIT

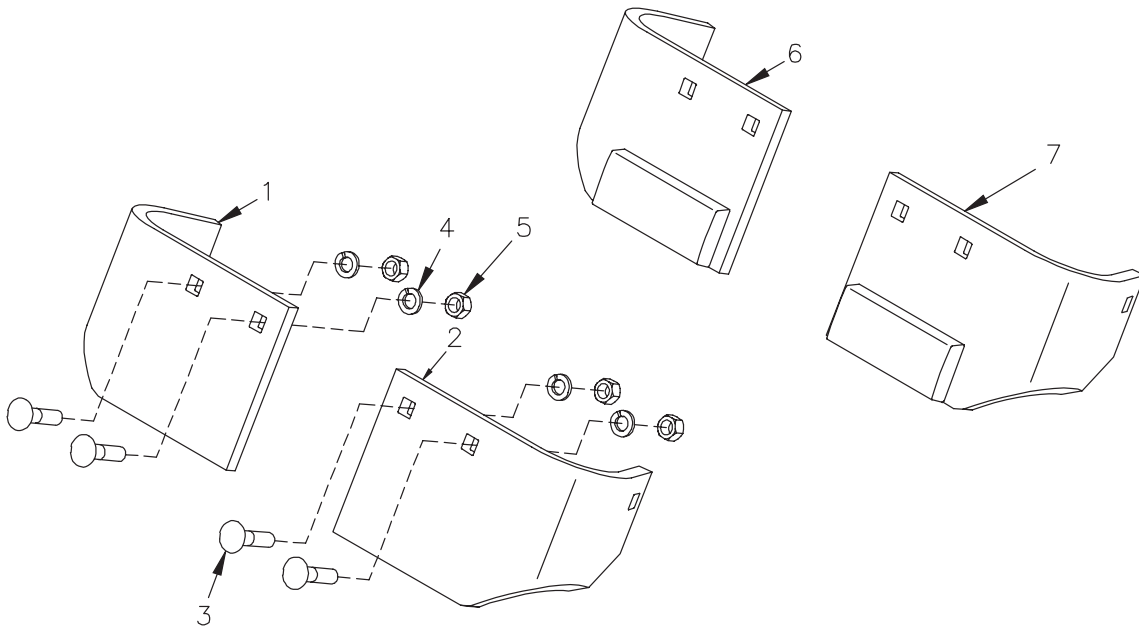


25012587 Wear Plate Kit

DWG. NO. 6331

REF. NO.	PART NUMBER	DESCRIPTION	QTY.	REF. NO.	PART NUMBER	DESCRIPTION	QTY.
1	25012588	Wear Plate Weldment	2	3	952-001-004	Lock Washer 1/2 Inch	4
2	950-003-058	Carriage Bolt 1/2-13 x 1 3/4 Gr. 5	4	4	951-001-007	Hex Nut 1/2-13	4

CURB GUARD KITS



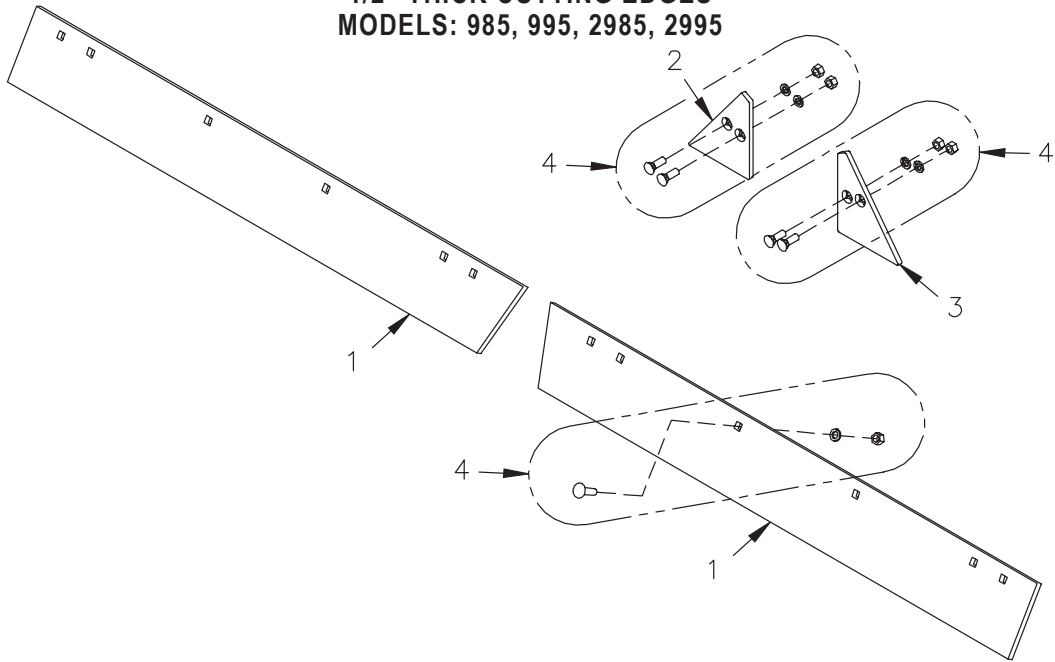
25011695 Curb Guard Kit - Standard
25012726 Curb Guard Kit With Wear Bars

DWG. NO. 5486

REF. NO.	PART NUMBER	DESCRIPTION	QTY.	REF. NO.	PART NUMBER	DESCRIPTION	QTY.
1	25011712	RH Curb Guard - Standard	1	5	951-001-007	Hex Nut 1/2-13	4
2	25011713	LH Curb Guard - Standard	1	6	25012722	RH Curb Guard With Wear Bar	1
3	950-003-025	Carriage Bolt 1/2-13 x 2 Gr. 5	4	7	25012723	LH Curb Guard With Wear Bar	1
4	952-001-004	Lock Washer 1/2 Inch	4				

SKID STEER V-PLow SNOWPLOW

1/2" THICK CUTTING EDGES
MODELS: 985, 995, 2985, 2995



DWG. NO. 6122A

REF. NO.	PART NUMBER	DESCRIPTION	QTY.	REF. NO.	PART NUMBER	DESCRIPTION	QTY.
1	25012420	1/2" Cutting Edge, 8 1/2' Plow	2	3	25012311	LH Center Cutting Edge Plate	1
	25012421	1/2" Cutting Edge, 9 1/2' Plow	2	4	25012296	Cutting Edge Bolt Kit	1
2	25012310	RH Center Cutting Edge Plate	1				

SEC 2

