

SECTION 7

POLY TRIP EDGE

SNOW PLOW

FOR SERIES 7800, 7801, 7900 & 7901

PLOW COMPONENTS

- PAGE 2 MOLDBOARD ASSEMBLY**
- PAGE 3 POWER UNIT COVER ASSEMBLY**
- PAGE 4 QUADRANT/PUSH FRAME ASSEMBLY**
- PAGE 5 LIFT FRAME ASSEMBLY**
- PAGE 6 WEAR PLATE KIT**
CURB GUARD KITS
- PAGE 7 WING KIT**
POLY SNOW PLOW DEFLECTOR KITS
- PAGE 8 RUBBER CUTTING EDGES**
1/2" THICK CUTTING EDGES

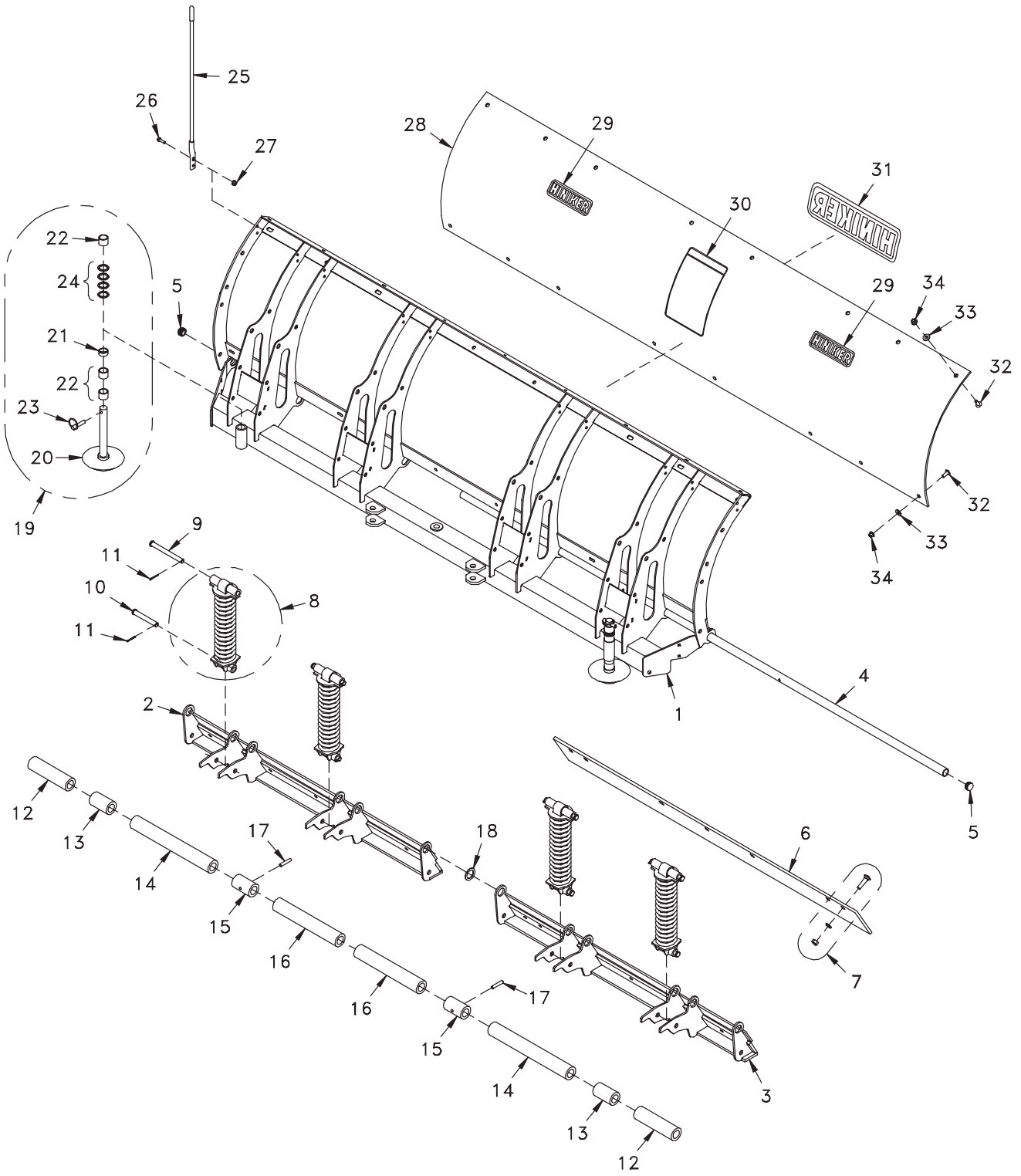
HYDRAULIC COMPONENTS

- PAGE 9 HYDRAULIC OVERVIEW**
HYDRAULIC CYLINDERS
- PAGE 10 POWER UNIT - SPX MODEL DB-7929-2**
- PAGE 11 POWER UNIT - SPX MODEL DB-1600**

ELECTRICAL COMPONENTS

- PAGE 12 PLOW WIRING HARNESS**
JOYSTICK CONTROLLER
- PAGE 13 UNDERHOOD WIRING HARNESS**
MOTOR SOLENOID
- PAGE 14 COMPOSITE HEADLAMPS**
SEALED BEAM HEADLAMPS
- PAGE 15 POWER CABLES**
GRILL MOUNT PLATE

MOLDBOARD ASSEMBLY

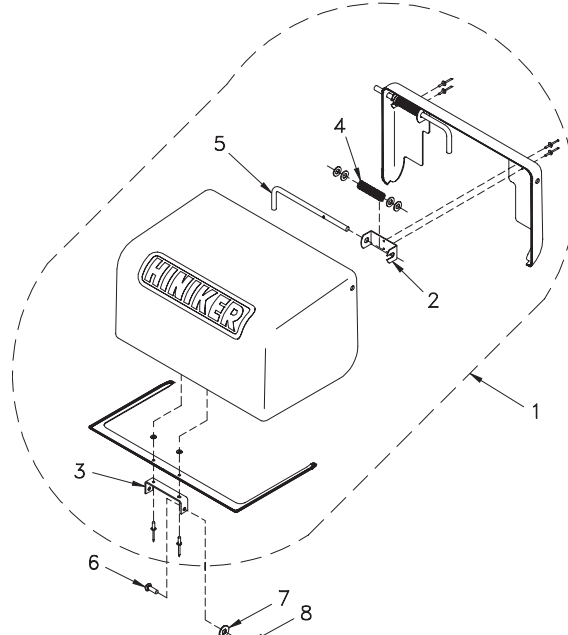


SEC 7

POLY TRIP EDGE PLOW 7800-7801-7900-7901

REF. NO.	PART NUMBER	DESCRIPTION	QTY.	REF. NO.	PART NUMBER	DESCRIPTION	QTY.
1	25011810	8 Ft. Frame Weldment (Model 7801 Only)	1	13	25011338	Bushing 3 3/8" Long Poly	2
	25011811	9 Ft. Frame Weldment (Model 7901 Only)	1	14	25011643	Bushing 15 7/16" Long Poly (Models 7801, 7901 Only)	2
	25011359	8 Ft. Frame Weldment (Model 7800 Only)	1		25011337	Bushing 15 1/8" Long Poly (Models 7800, 7900 Only)	2
	25011369	9 Ft. Frame Weldment (Model 7900 Only)	1	15	25011341	Bushing 3 3/8" Long Steel	2
2	25011597	8 Ft. LH Trip Edge Weld (Model 7801 Only)	1	16	25011644	Bushing 12 13/32" Long Poly (Models 7801, 7901 Only)	2
	25011596	9 Ft. LH Trip Edge Weld (Model 7901 Only)	1		25011336	Bushing 12 1/8" Long Poly (Models 7800, 7900 Only)	2
	25011388	8 Ft. LH Trip Edge Weld (Model 7800 Only)	1	17	30009024	Slotted Spring Pin 3/8 x 2	2
	25011387	9 Ft. LH Trip Edge Weld (Model 7900 Only)	1	18	952-004-058	Machine Bushing 1 9/32 x 1 7/8 x .075	1
3	25011598	8 Ft. RH Trip Edge Weld (Model 7801 Only)	1	19	25011487	Cast Iron Skid Assembly	2
	25011595	9 Ft. RH Trip Edge Weld (Model 7901 Only)	1	20	25011478	Cast Iron Skid Shoe	2
	25011389	8 Ft. RH Trip Edge Weld (Model 7800 Only)	1	21	25010048	1/2" Skid Spacer	2
	25011381	9 Ft. RH Trip Edge Weld (Model 7900 Only)	1	22	25010049	1" Skid Spacer	6
4	25012625	Trip Pin 8 Ft.	1	23	25010319	Klik Pin	2
	25012629	Trip Pin 9 Ft.	1	24	952-004-071	Machine Bushing 1 5/32 x 1 1/2 x .134	8
5	25012375	End Cap	2	25	25010118	Red Blade Guide	2
6	25011326	48" Cutting Edge For 8 Ft. Plow	2	26	950-001-113	Hex Head Cap Screw 5/16-18 x 3/4 Gr. 5	4
	25011328	54" Cutting Edge For 9 Ft. Plow	2	27	951-005-036	Lock Nut 5/16-18 Mac Lock	4
7	25011578	Cutting Edge Bolt Kit	1	28	25012193	Moldboard Blank/Decal Assy-8 Ft. Plow (7801 Only)	1
8	25011373	Spring Assembly	4		25012194	Moldboard Blank/Decal Assy-9 Ft. Plow (7901 Only)	1
9	953-002-045	Clevis Pin 5/8 x 6 (Models 7801, 7901 Only)	4		25011325	Poly Moldboard Blank-8 Ft. Plow (7800 Only)	1
	25011344	Top Pin (Models 7800, 7900 Only)	4		25011327	Poly Moldboard Blank-9 Ft. Plow (7900 Only)	1
10	953-002-044	Clevis Pin 5/8 x 4 3/8 (Models 7801, 7901 Only)	4	29	85501786	Hiniker Decal (Models 7900, 7900 Only)	1
	25011343	Bottom Pin (Models 7800, 7900 Only)	4		25011684	Hiniker Decal (Models 7801, 7901 Only)	2
11	035-42033	Cotter Pin 5/32 x 1 1/4 (Models 7801, 7901 Only)	8	30	25012270	Snowplow Removal Decal	1
	953-003-027	Spring Pin 3/16 x 1 1/4 (Models 7800, 7900 Only)	16	31	79202024	Hiniker Decal (Models 7800, 7900 Only)	1
12	25011641	Bushing 7 7/16" Long Poly (Model 7801 Only)	2	32	700-11704	Machine Screw 3/8-16 x 1 Slotted Truss Hd (7801, 7901)	16
	25011642	Bushing 13 7/16" Long Poly (Model 7901 Only)	2		950-004-100	Mach Screw 3/8-16 x 1 1/4 Slotted Truss Hd (7800,7900)	16
	25011340	Bushing 7" Long Poly (Model 7800 Only)	2	33	952-002-013	Flat Washer 3/8 Inch Stainless Steel	16
	25011339	Bushing 13" Long Poly (Model 7900 Only)	2	34	951-005-003	Lock Nut 3/8-16 Mac Lock	16

POWER UNIT COVER ASSEMBLY

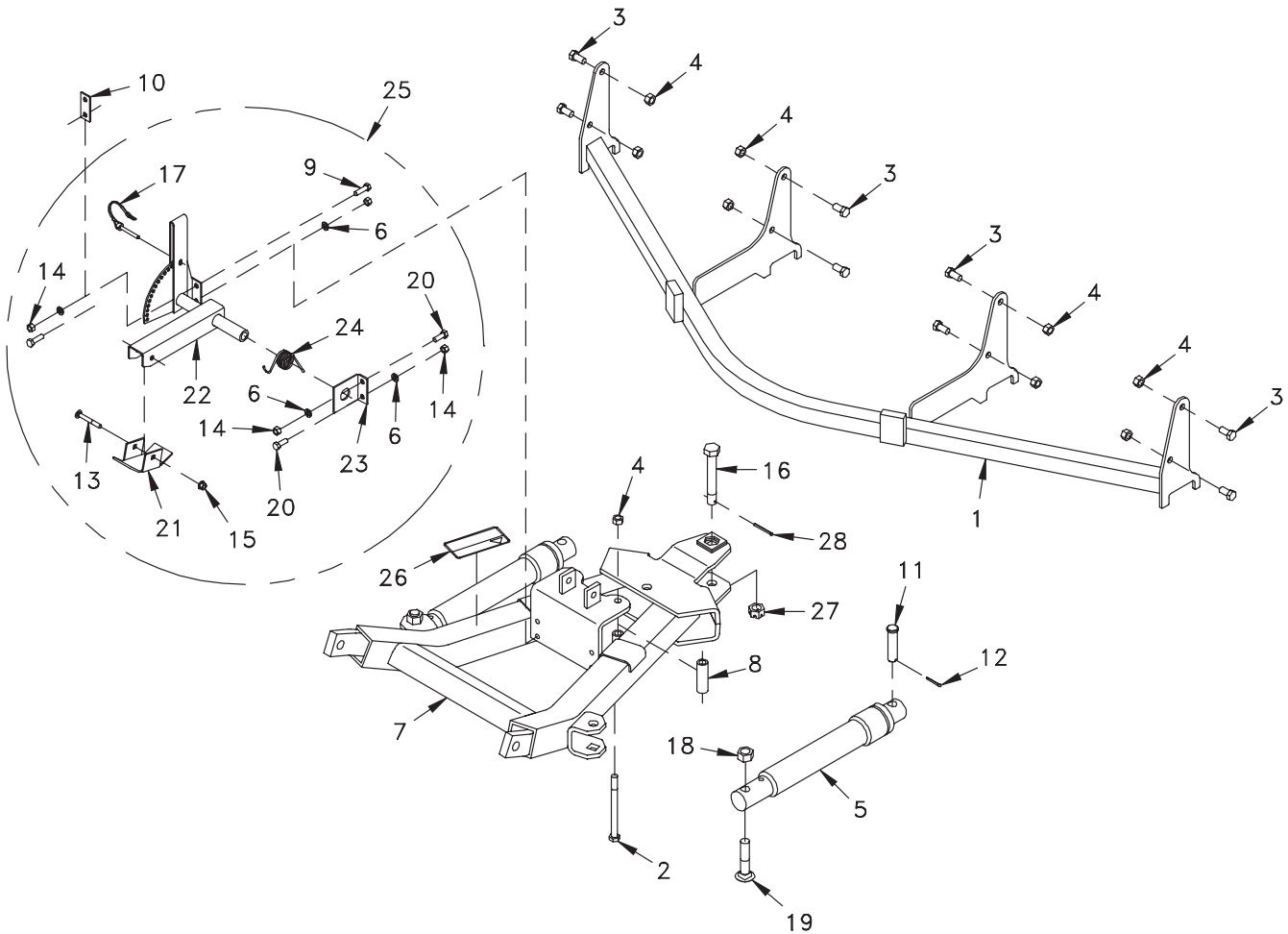


DWG. NO. 5559

REF. NO.	PART NUMBER	DESCRIPTION	QTY.	REF. NO.	PART NUMBER	DESCRIPTION	QTY.
1	25011070	Cover Assembly (Includes Items 2-5)	1	5	25011071	Rod	2
2	25011073	Clevis	2	6	031-10657	Machine Screw 1/4-20 x 3/4 Slotted Round Head	2
3	25011072	Clevis	1	7	952-002-011	Flat Washer 1/4	2
4	25010717	Compression Spring	2	8	060954	Lock Nut 1/4-20 Nylon Insert	2

SEC 7

QUADRANT/PUSH FRAME ASSEMBLY

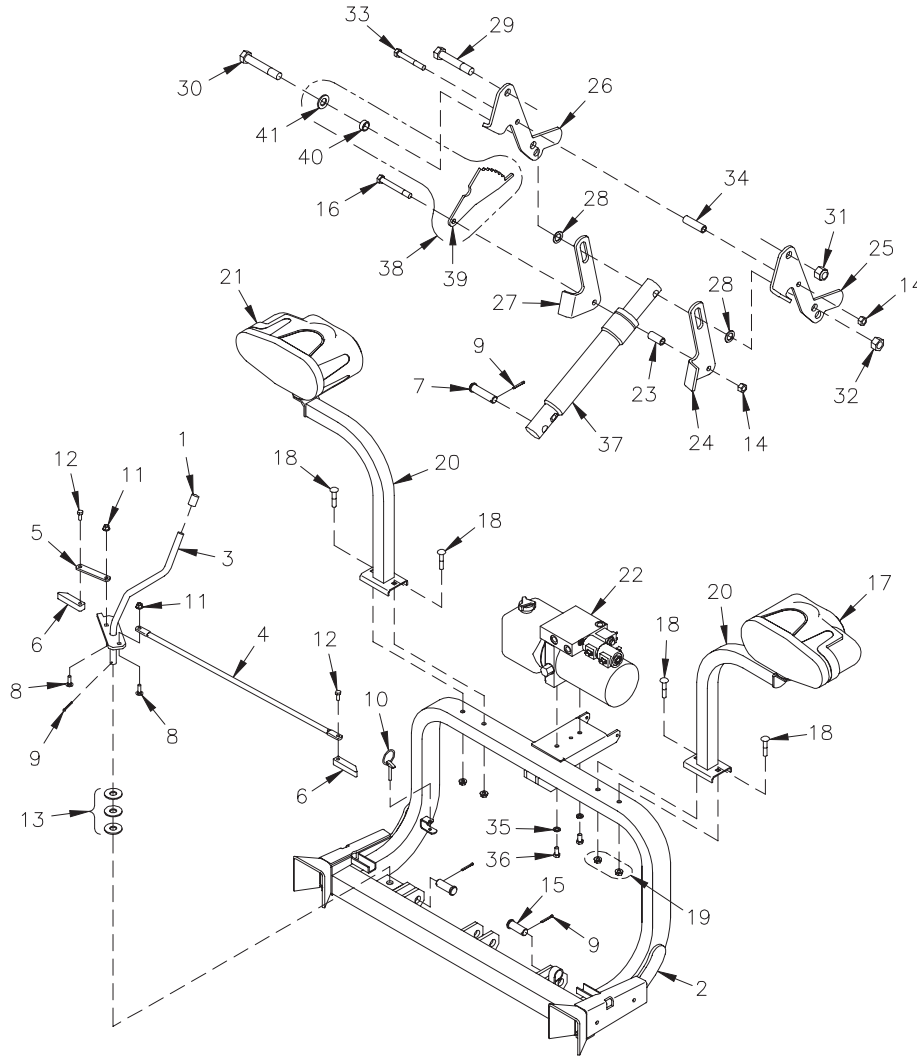


DWG. NO. 5263B

SEC 7

REF. NO.	PART NUMBER	DESCRIPTION	QTY.	REF. NO.	PART NUMBER	DESCRIPTION	QTY.
1	25011349	Quadrant Weldment (7800 & 7900 Only)	1	15	951-005-036	Lock Nut 5/16-18 Mac Lock	1
	25011613	Quadrant Weldment (7801 & 7901 Only)	1	16	25012614	Drilled Bolt 3/4-10 x 5 Gr. 5	1
2	031-06219	Hex Head Cap Screw 1/2-13 x 6 Gr. 5	2	17	25010797	Tab Lock Pin 1/4 x 2	1
3	950-001-111	Hex Head Cap Screw 1/2-13 x 1 1/4 Gr. 5	8	18	951-005-037	Lock Nut 3/4-10 2-Way	2
4	10304	Lock Nut 1/2-13 2-Way	10	19	030-16198	Carriage Bolt 3/4-10 x 3 1/2 Gr. 5	2
5	25010523	1 1/2 x 10 SA Cylinder (See Sec. 7 Pg. 9)	2	20	950-001-105	Hex Head Cap Screw 3/8-16 x 1 Gr. 5	2
6	952-001-007	Lock Washer 3/8 Inch	4	21	25010801	Stand Foot	1
7	25012483	Push Frame Weldment/Decal Assembly	1	22	25010800	Lever Weldment	1
8	25011477	2 13/16 Bushing	2	23	25010798	Bracket	1
9	950-001-106	Hex Head Cap Screw 3/8-16 x 1 1/4 Gr. 5	2	24	25010795	Helical Torsion Spring	1
10	25011486	Parking Stand Spacer	1	25	25011050	Park Stand Kit	1
11	953-002-032	Clevis Pin 3/4 x 3 Gr. 5	2	26	25010697	Caution Decal	1
12	035-42033	Cotter Pin 5/32 x 1 1/4	2	27	034-00136	Slotted Nut 3/4-10	1
13	950-003-074	Carriage Bolt 5/16-18 x 2 1/2 Gr. 5	1	28	953-001-008	Cotter Pin 3/16 x 1 3/4	1
14	951-001-005	Hex Nut 3/8-16	4				

LIFT FRAME ASSEMBLY

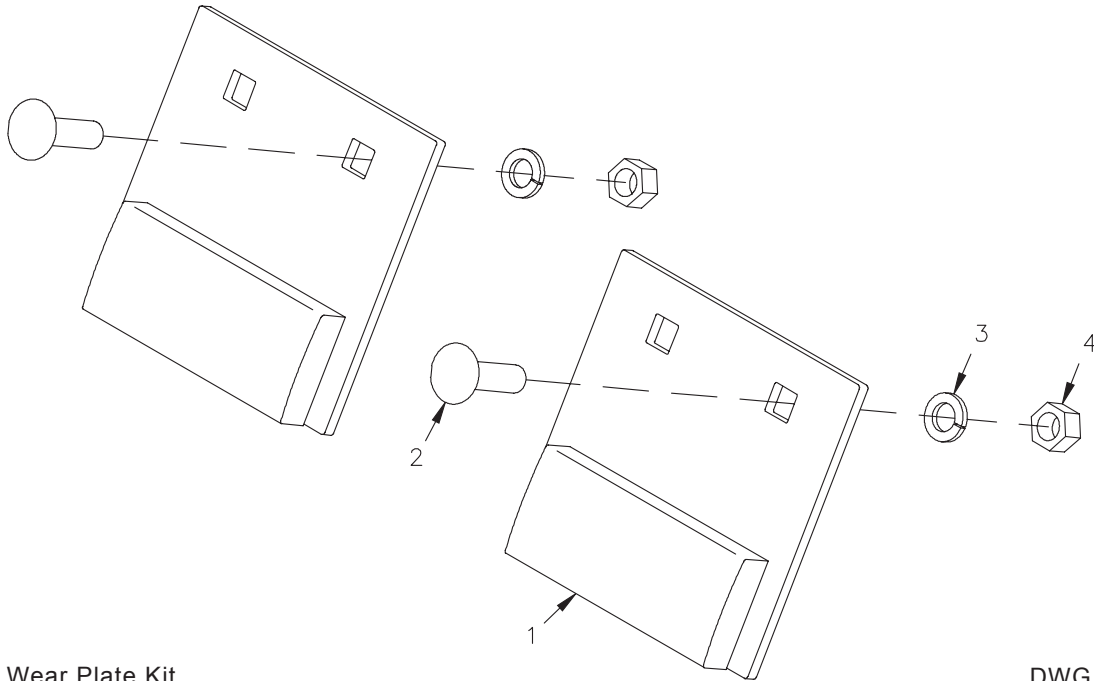


DWG. NO. 5734A

REF. NO.	PART NUMBER	DESCRIPTION	QTY.	REF. NO.	PART NUMBER	DESCRIPTION	QTY.
1	25011230	Vinyl Cap	1	24	25012396	RH Lower Link, 5/16" Thick	1
2	25012583	Frame Weldment	1		25010390	RH Lower Link, 1/4" Thick	1
3	25010410	Handle Weldment	1	25	25012394	RH Upper Link, 5/16" Thick	1
4	25010274	Long Tie Rod	1		25011045	RH Upper Link, 1/4" Thick	1
5	25010275	Short Tie Rod	1	26	25012393	LH Upper Link, 5/16" Thick	1
6	25010276	Slider	2		25011044	LH Upper Link, 1/4" Thick	1
7	953-002-032	Clevis Pin 3/4 x 3 Gr. 5	1	27	25012395	LH Lower Link, 5/16" Thick	1
8	030-16042	Carriage Bolt 5/16-18 x 1 Gr. 5	2		25010389	LH Lower Link, 1/4" Thick	1
9	035-42033	Cotter Pin 5/32 x 1 1/4	4	28	952-004-003	Machine Bushing	2
10	703-00209	Klik Pin	1	29	950-001-310	Hex Head Cap Screw 3/4-10 x 4 1/4 Gr. 5, 1 1/4 Thd Lgth	1
11	951-005-036	Lock Nut 5/16-18 Mac Lock	2	30	950-001-311	Hex Head Cap Screw 3/4-10 x 4 1/2 Gr. 5, 1 1/4 Thd Lgth	1
12	950-011-042	Hex Head Cap Screw 5/16-18 x 3/4 Nylon Dri-Loc	2	31	951-003-010	Lock Nut 3/4-10 Nylon Insert	1
13	952-002-007	Flat Washer, 5/8 Inch	3	32	951-005-037	Lock Nut 3/4-10, 2-Way	1
14	10304	Lock Nut 1/2-13, 2-Way	2	33	950-001-142	Hex Head Cap Screw 1/2-13 x 3 1/2 Gr. 5	1
15	953-002-031	Clevis Pin 3/4 x 2 Gr. 5	2	34	25011048	Upper Link Spacer	1
16	950-001-309	Hex Head Cap Screw 1/2-13 x 4 Gr. 5, 7/8 Thd Lgth	1	35	952-001-007	Lock Washer, 3/8 Inch	2
17	25012792	RH Light Assembly (See Sec. 7 Page 14)	1	36	950-001-089	Hex Head Cap Screw 3/8-16 x 3/4 Gr. 5	2
18	950-003-070	Carriage Bolt 3/8-16 x 2 Gr. 5	4	37	25011581	1 1/2 x 9 SA Cylinder (See Sec. 7, Page 9)	1
19	951-005-003	Lock Nut 3/8-16 Mac Lock	4	38	25011986	Stop Plate Kit (Includes Lock Nut #32)	1
20	25011334	Light Bracket Weldment	2	39	25011984	Stop Plate	1
21	25012793	LH Light Assembly (See Sec. 7 Page 14)	1	40	25011885	Bushing	1
22	25012649	Power Unit (See Sec. 7 Page 10)	1	41	033-12013	SAE Flat Washer, 3/4 Inch	1
23	25010114	Lower Link Spacer	1				

SEC 7

WEAR PLATE KIT

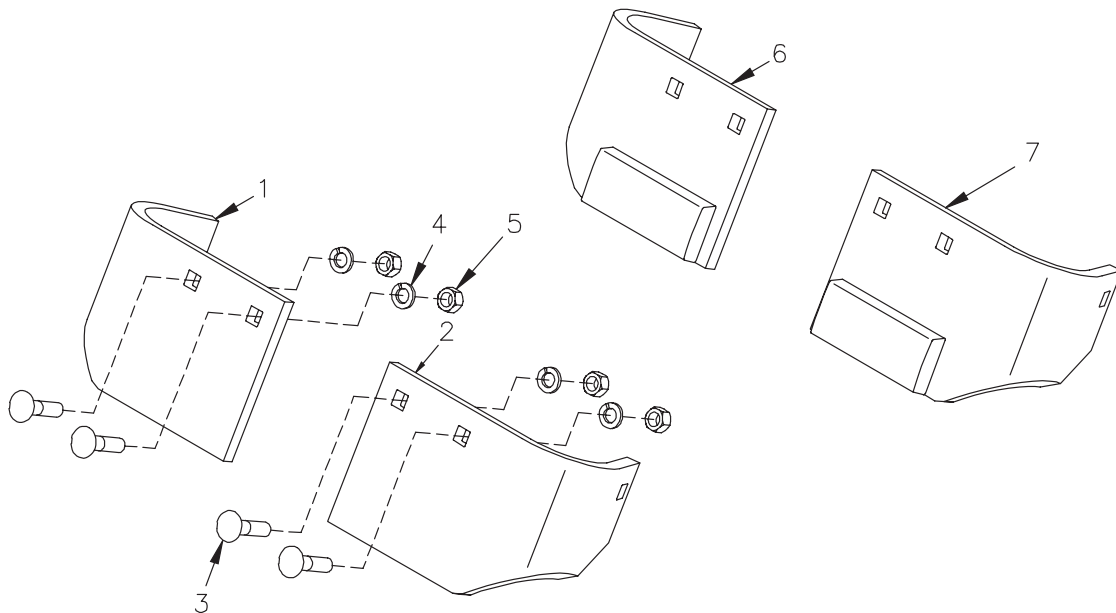


25012587 Wear Plate Kit

DWG. NO. 6331

REF. NO.	PART NUMBER	DESCRIPTION	QTY.	REF. NO.	PART NUMBER	DESCRIPTION	QTY.
1	25012588	Wear Plate Weldment	2	3	952-001-004	Lock Washer 1/2 Inch	4
2	950-003-058	Carriage Bolt 1/2-13 x 1 3/4 Gr. 5	4	4	951-001-007	Hex Nut 1/2-13	4

CURB GUARD KITS



25011695 Curb Guard Kit - Standard

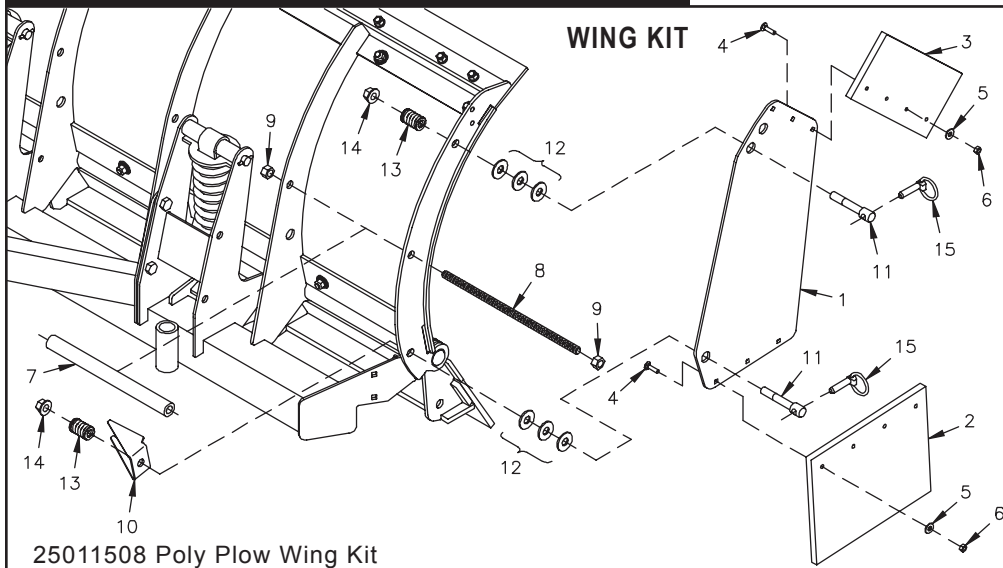
25012726 Curb Guard Kit With Wear Bars

DWG. NO. 5486

REF. NO.	PART NUMBER	DESCRIPTION	QTY.	REF. NO.	PART NUMBER	DESCRIPTION	QTY.
1	25011712	RH Curb Guard - Standard	1	5	951-001-007	Hex Nut 1/2-13	4
2	25011713	LH Curb Guard - Standard	1	6	25012722	RH Curb Guard With Wear Bar	1
3	950-003-025	Carriage Bolt 1/2-13 x 2 Gr. 5	4	7	25012723	LH Curb Guard With Wear Bar	1
4	952-001-004	Lock Washer 1/2 Inch	4				

SEC 7

POLY TRIP EDGE PLOW 7800-7801-7900-7901

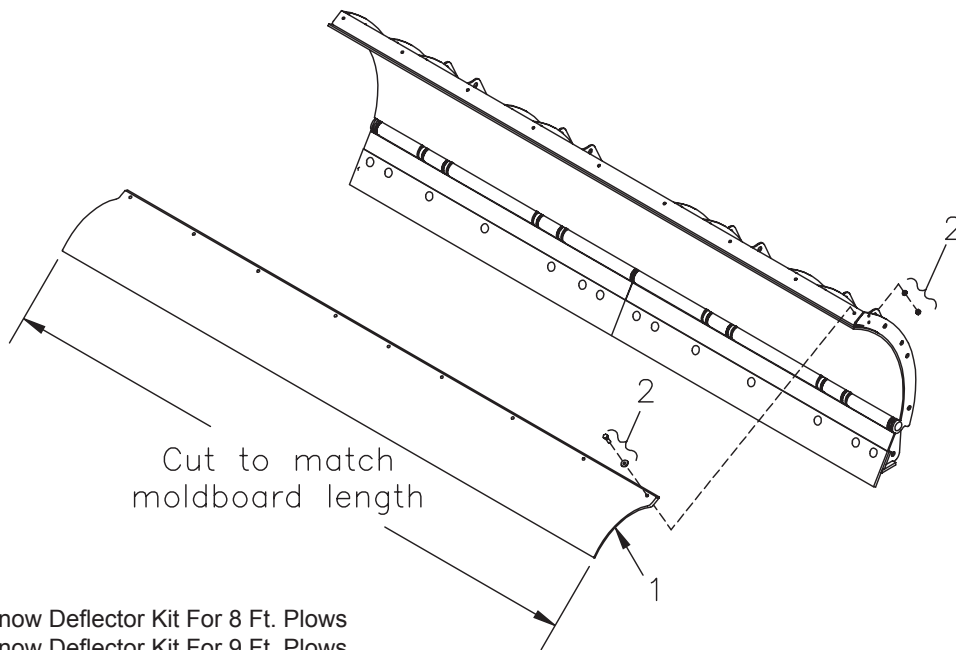


25011508 Poly Plow Wing Kit

DWG. NO. 6541

REF. NO.	PART NUMBER	DESCRIPTION	QTY.	REF. NO.	PART NUMBER	DESCRIPTION	QTY.
1	25011502	Wing Blank	2	9	10304	Lock Nut 1/2-13, 2-Way	4
2	25010840	Lower Wing Rubber	2	10	25011503	Gusset	2
3	25010841	Upper Wing Rubber	2	11	25011504	Quick Attach Bolt	4
4	030-12020	Carriage Bolt 1/4-20 x 1 Gr. 5	12	12	952-002-005	Flat Washer 1/2 Inch	16
5	952-002-011	Flat Washer 1/4 Inch	12	13	25011506	Compression Spring	4
6	951-005-089	Lock Nut 1/4-20 2-Way	12	14	951-005-055	Lock Nut 1/2-13 Mac Lock	4
7	25012734	Pipe	2	15	25011577	Lynch Pin 7/16 x 1 3/4	4
8	25012733	Threaded Rod	2				

POLY SNOW DEFLECTOR KITS



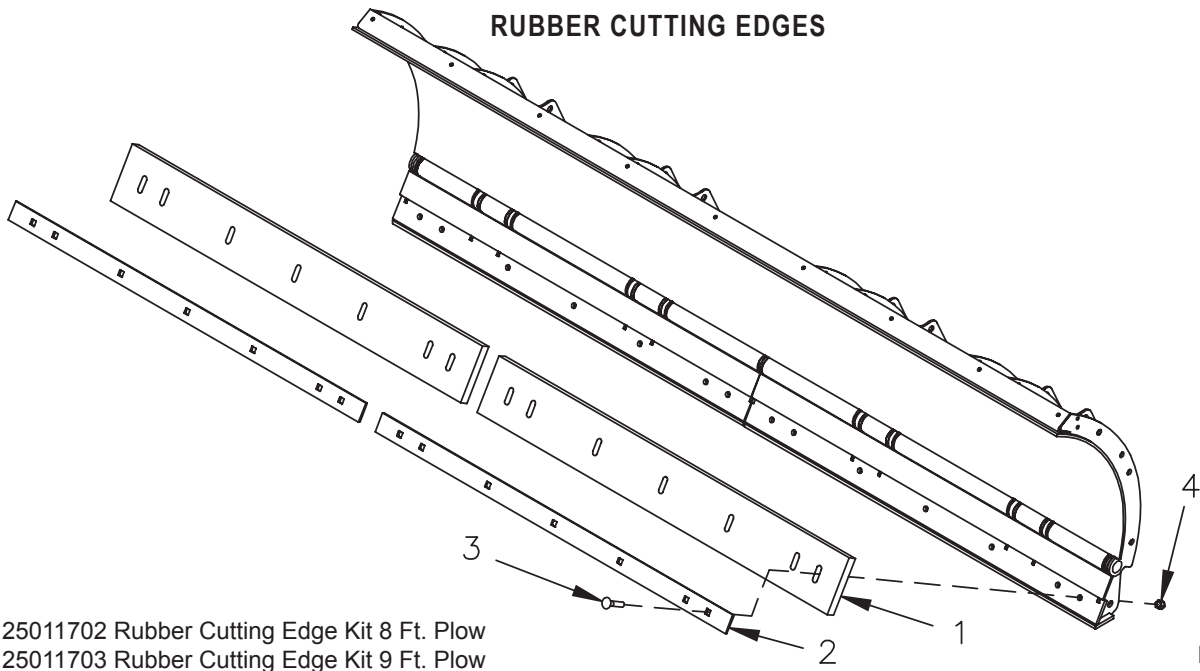
25011789 Poly Snow Deflector Kit For 8 Ft. Plows
 25011790 Poly Snow Deflector Kit For 9 Ft. Plows
 25011983 Poly Snow Deflector Kit For 9 Ft. Plows (Two Extrusion Pieces)
 * Only Recommended For Poly Snow Plow Models 7801 & 7901

DWG. NO. 5733

REF. NO.	PART NUMBER	DESCRIPTION	QTY.	REF. NO.	PART NUMBER	DESCRIPTION	QTY.
1	25011794	8 Ft. Snow Deflector Extrusion	1	2	25011793	Bolt Box Snow Deflector	1
	25011795	9 Ft. Snow Deflector Extrusion	1				
	25011982	4 1/2 Ft. Snow Deflector Extrusion	2				

SEC 7

RUBBER CUTTING EDGES

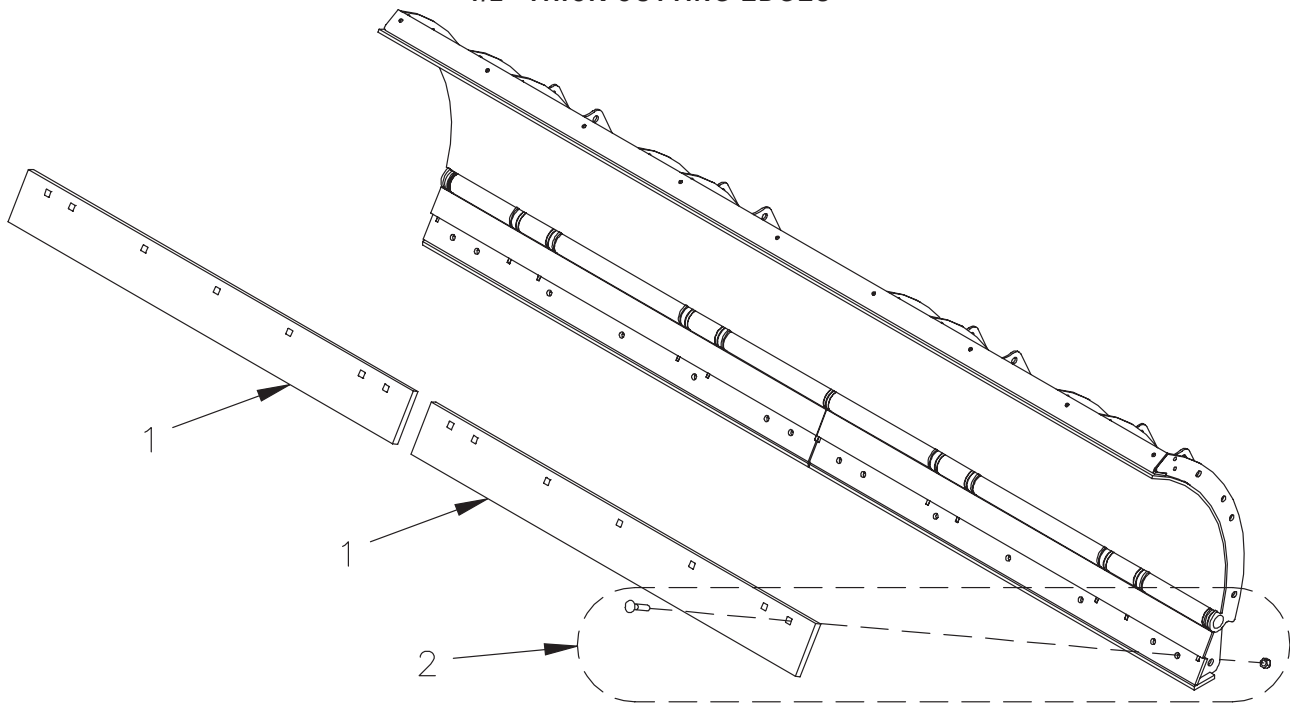


25011702 Rubber Cutting Edge Kit 8 Ft. Plow
 25011703 Rubber Cutting Edge Kit 9 Ft. Plow

DWG 5685

REF. NO.	PART NUMBER	DESCRIPTION	QTY.	REF. NO.	PART NUMBER	DESCRIPTION	QTY.
1	25011770	48" Rubber Cutting Edge For 8 Ft. Plow	2	3	030-16136	Carriage Bolt 1/2-13 x 2 1/2 Gr. 5	14
	25011773	54" Rubber Cutting Edge For 9 Ft. Plow	2	4	951-003-009	Lock Nut 1/2-13 Nylon Insert	14
2	25011772	Strap 8 Ft. Trip Edge Plow	2				
	25011775	Strap 9 Ft. Trip Edge Plow	2				

1/2" THICK CUTTING EDGES

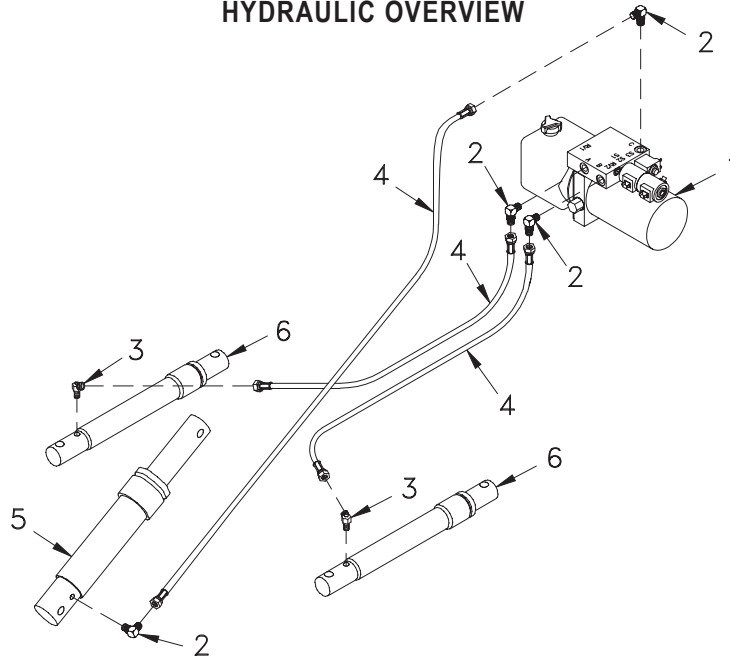


DWG. NO. 5890

REF. NO.	PART NUMBER	DESCRIPTION	QTY.	REF. NO.	PART NUMBER	DESCRIPTION	QTY.
1	25012027	48" Cutting Edge For 8' Plow, 1/2" Thick	2	2	25011578	Cutting Edge Bolt Kit	1
	25012029	54" Cutting Edge For 9' Plow, 1/2" Thick	2				

SEC 7

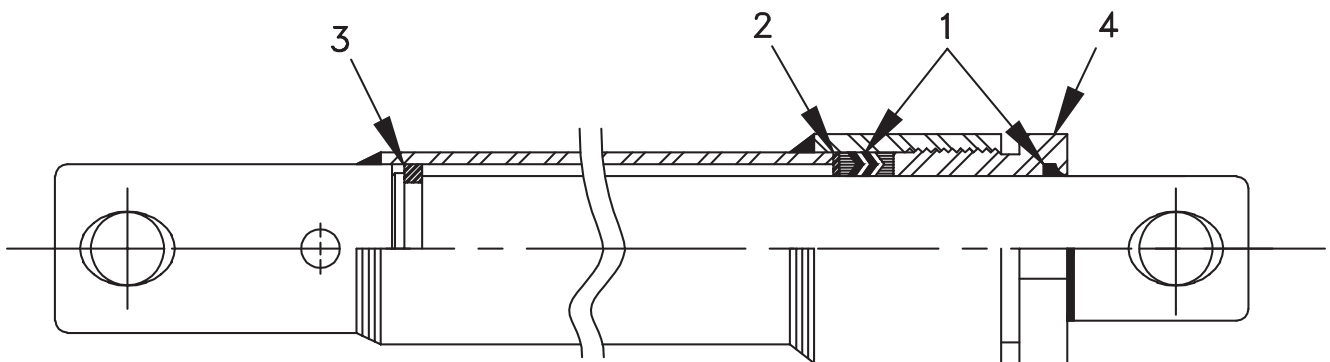
HYDRAULIC OVERVIEW



DWG. NO. 5668

REF. NO.	PART NUMBER	DESCRIPTION	QTY.	REF. NO.	PART NUMBER	DESCRIPTION	QTY.
1	25012649	Power Unit	1	5	25010524	1 1/2 x 8 Cylinder	1
2	956-005-022	90° Adapter 9/16 ORB x 9/16 JIC	4		25011581	1 1/2 x 9 Cylinder	1
3	956-005-023	45° Adapter 9/16 ORB x 9/16 JIC	2	6	25010523	1 1/2 x 10 Cylinder	2
4	957-010-005	Hydraulic Hose Assembly 1/4 x 32"	3				

HYDRAULIC CYLINDERS



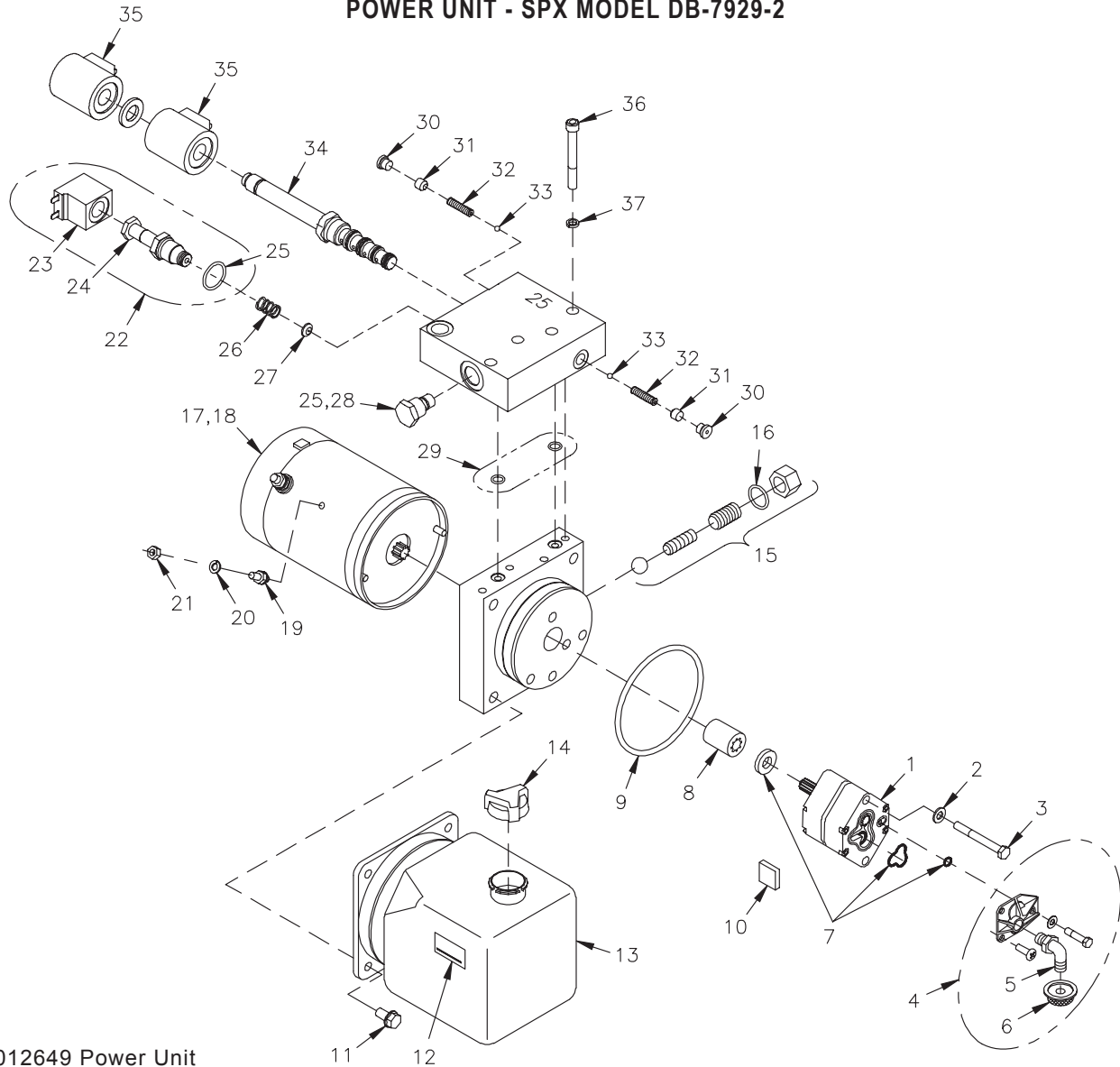
25010523 1 1/2 x 10 Cylinder
 25011581 1 1/2 x 9 Cylinder
 25010524 1 1/2 x 8 Cylinder

DWG. NO. 5669

REF. NO.	PART NUMBER	DESCRIPTION	QTY.	REF. NO.	PART NUMBER	DESCRIPTION	QTY.
1	25010464	Seal Kit	1	3	25010017	Guide Ring	1
2	25010016	Seat Ring	1	4	25010018	Packing Nut	1

SEC 7

POWER UNIT - SPX MODEL DB-7929-2



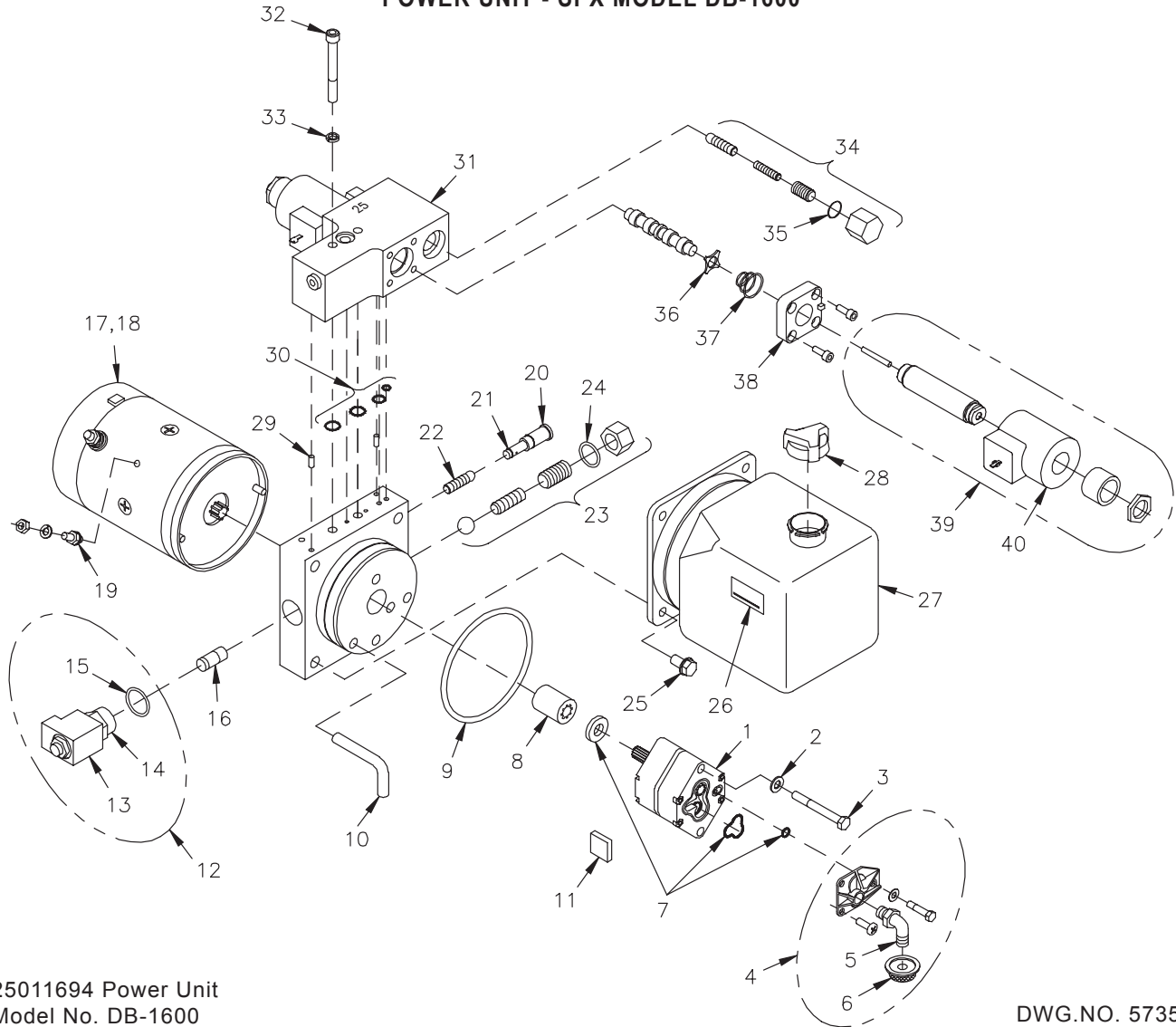
25012649 Power Unit
Model No. DB-7929-2

DWG.NO. 6527

SECTION 7

REF. NO.	PART NUMBER	DESCRIPTION	QTY.	REF. NO.	PART NUMBER	DESCRIPTION	QTY.
1	25011706	Pump Assembly	1	20	952-001-001	Lock Washer 1/4 Inch	1
2	033-12007	SAE Flat Washer, 5/16 Inch	2	21	951-001-003	Hex Nut 1/4-20	1
3	950-001-327	Hex Head Cap Screw 5/16-24 x 3 Gr. 8	2	22	25011654	Release Valve Kit, Double Spade Coil	1
4	25010332	Inlet Plumbing Kit	1	23	25011667	Solenoid Coil 10V DC	1
5	25010244	Plumbing Elbow	1	24	25010544	Cartridge Release Valve	1
6	25010221	Filter	1	25	25010992	O-Ring Kit	1
7	25010334	Pump O-Ring Kit	1	26	25012674	Spring	1
8	25010214	Coupling	1	27	25012677	Return Orifice	1
9	25010236	O-Ring	1	28	25010746	Check Valve	1
10	25010220	Plumbing Magnet	1	29	25010762	Manifold O-Ring Kit	1
11	950-004-071	Machine Screw #12-24 x 1/2 - Hex Washer Head	4	30	25012686	ORB Plug	2
12	25010436	Decal - Fill Line	1	31	25012685	Set Screw 3/8-24 x .38 Selflock	2
13	25010240	Plastic Tank	1	32	25012684	Spring	2
14	25010217	Plastic Breather	1	33	25012683	Ball .25 Dia. Steel	2
15	25010330	Adjustable Relief Valve Kit	1	34	25012688	Directional Valve	1
16	25010518	Adjustable Relief Valve O-Ring	1	35	25012687	Solenoid Coil 10V DC	2
17	25010230	Motor 12V DC	1	36	950-004-115	Socket Head Cap Screw W/Thread Lock 1/4-20 x 1 3/4	4
18	25010337	Motor Brush Kit	1	37	952-004-080	Lock Washer 1/4 x .363 O.D.	4
19	25012673	Ground Stud	1				

POWER UNIT - SPX MODEL DB-1600



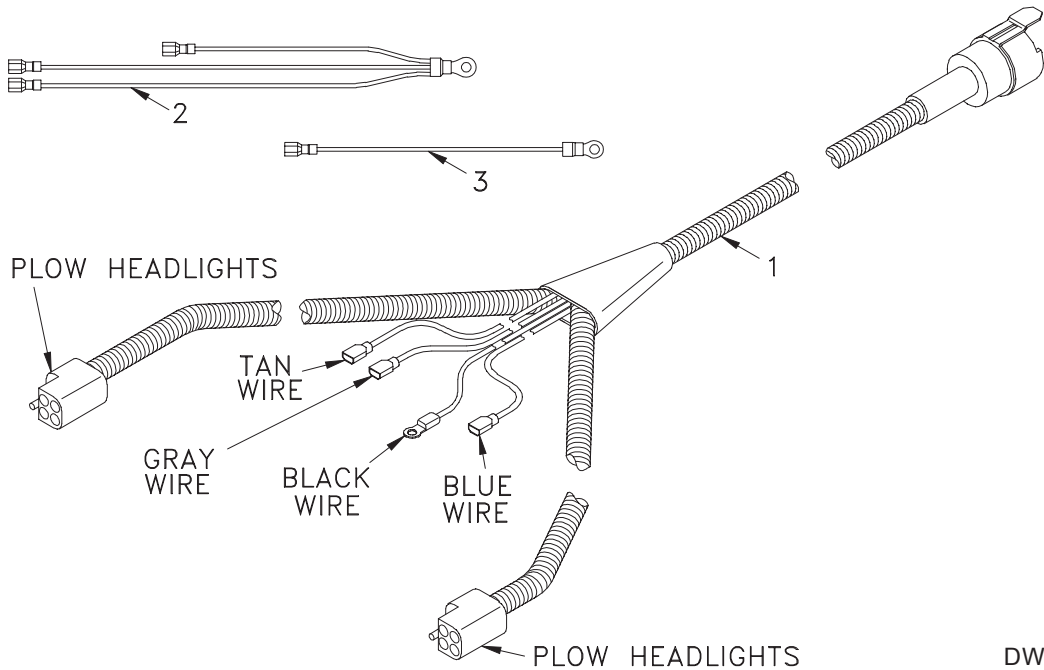
25011694 Power Unit
Model No. DB-1600

DWG.NO. 5735A

REF. NO.	PART NUMBER	DESCRIPTION	QTY.	REF. NO.	PART NUMBER	DESCRIPTION	QTY.
1	25011706	Pump Assembly	1	20	25010228	Check Valve Assembly	1
2	033-12007	Sae Flat Washer, 5/16 Inch	2	21	25010477	Check Valve O-Ring Kit	1
3	950-001-327	Hex Head Cap Screw 5/16-24 x 3 Gr. 8	2	22	25010241	Spring & Ball Assembly	1
4	25010332	Inlet Plumbing Kit	1	23	25010330	Adjustable Relief Valve Kit	1
5	25010244	Plumbing Elbow	1	24	25010518	Adjustable Relief Valve O-Ring	1
6	25010221	Filter	1	25	950-004-071	Machine Screw #12-24 x 1/2 - Hex Washer Head	4
7	25010334	Pump O-Ring Kit	1	26	25010436	Decal - Fill Line	1
8	25010214	Coupling	1	27	25010240	Plastic Tank	1
9	25010236	O-Ring	1	28	25010217	Plastic Breather	1
10	25010549	Return Tube	1	29	25010235	Pin 1/8 x 1/4	3
11	25010220	Plumbing Magnet	1	30	25010335	Directional Valve O-Ring Kit	1
12	25011654	Release Valve Kit, Double Spade Coil	1	31	25010533	U-Valve Assembly	1
	25011920	Release Valve Kit, Double Spade W/ Ground Wire	1	32	950-004-114	Socket Head Cap Screw W/Thread Lock 1/4-20 x 2 1/8	2
13	25011667	Solenoid Coil, Double Spade	1	33	952-004-080	Lock Washer 1/4 x .363 O.D.	2
	25011917	Solenoid Coil, Double Spade W/Ground Wire	1	34	25010336	Crossover Relief Valve Kit	2
14	25010544	Cartridge Release Valve	1	35	25010519	Crossover Relief Valve O-Ring	2
15	25010992	O-Ring Kit	1	36	25012636	Shim	2
16	25010542	Flow Control Valve	1	37	25012637	Spring	2
17	25010230	Motor 12V DC	1	38	25012639	Mount Block With O-Ring	2
18	25010337	Motor Brush Kit	1	39	25010333	Directional Valve Coil Kit	2
19	25012673	Ground Stud	1	40	25010541	Coil	2

SEC 7

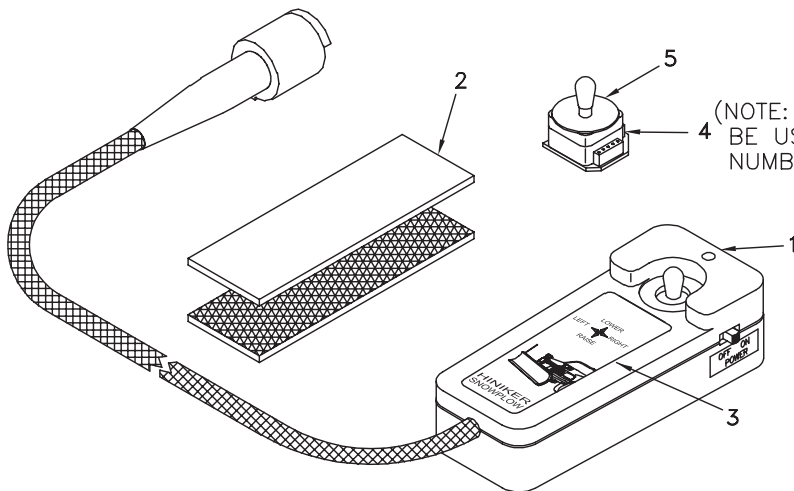
PLOW WIRING HARNESS



DWG. NO. 6558

REF. NO.	PART NUMBER	DESCRIPTION	QTY.	REF. NO.	PART NUMBER	DESCRIPTION	QTY.
1	38813036	External Cable Assembly - Snow Plow	1	3	38813069	Ground Wire (Use On Power Unit DB-1600)	1
2	38813094	Ground Wire (Use On Power Unit DB-7929-2)	1				

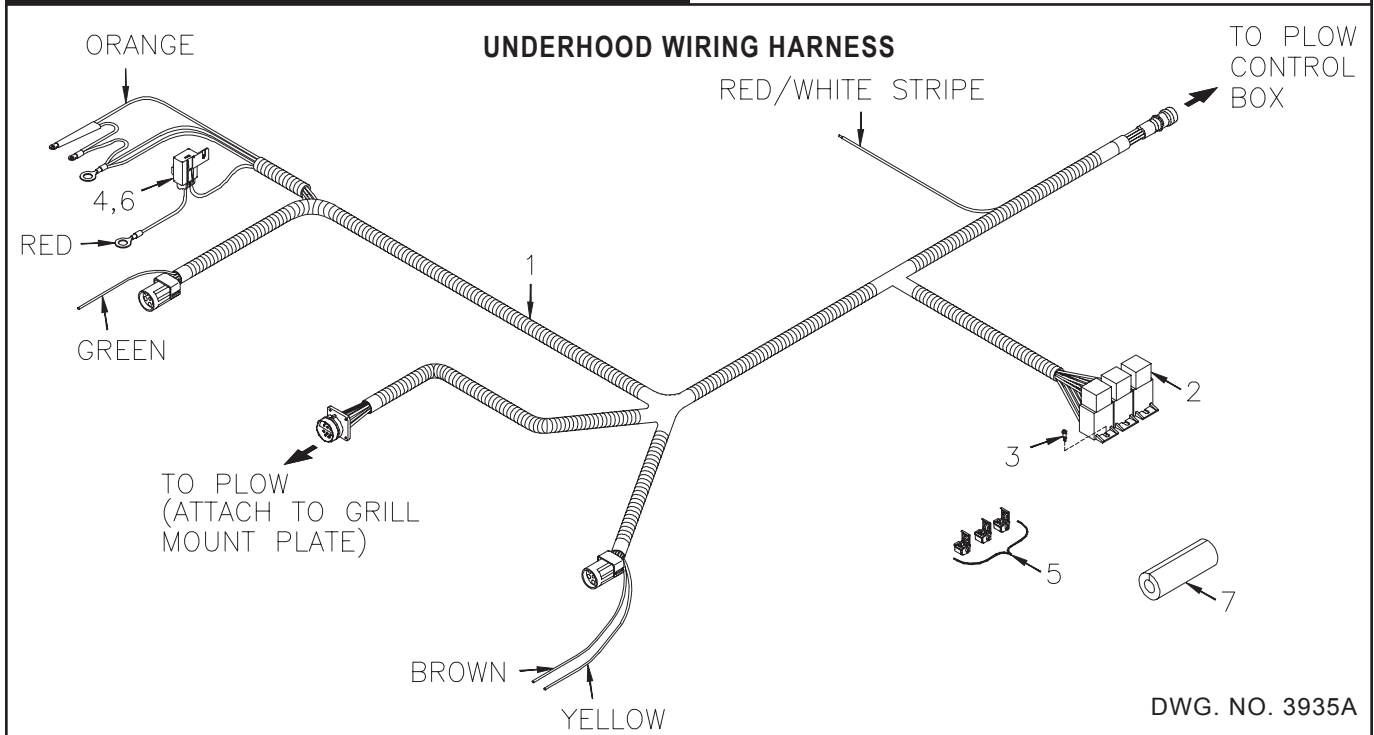
JOYSTICK CONTROLLER



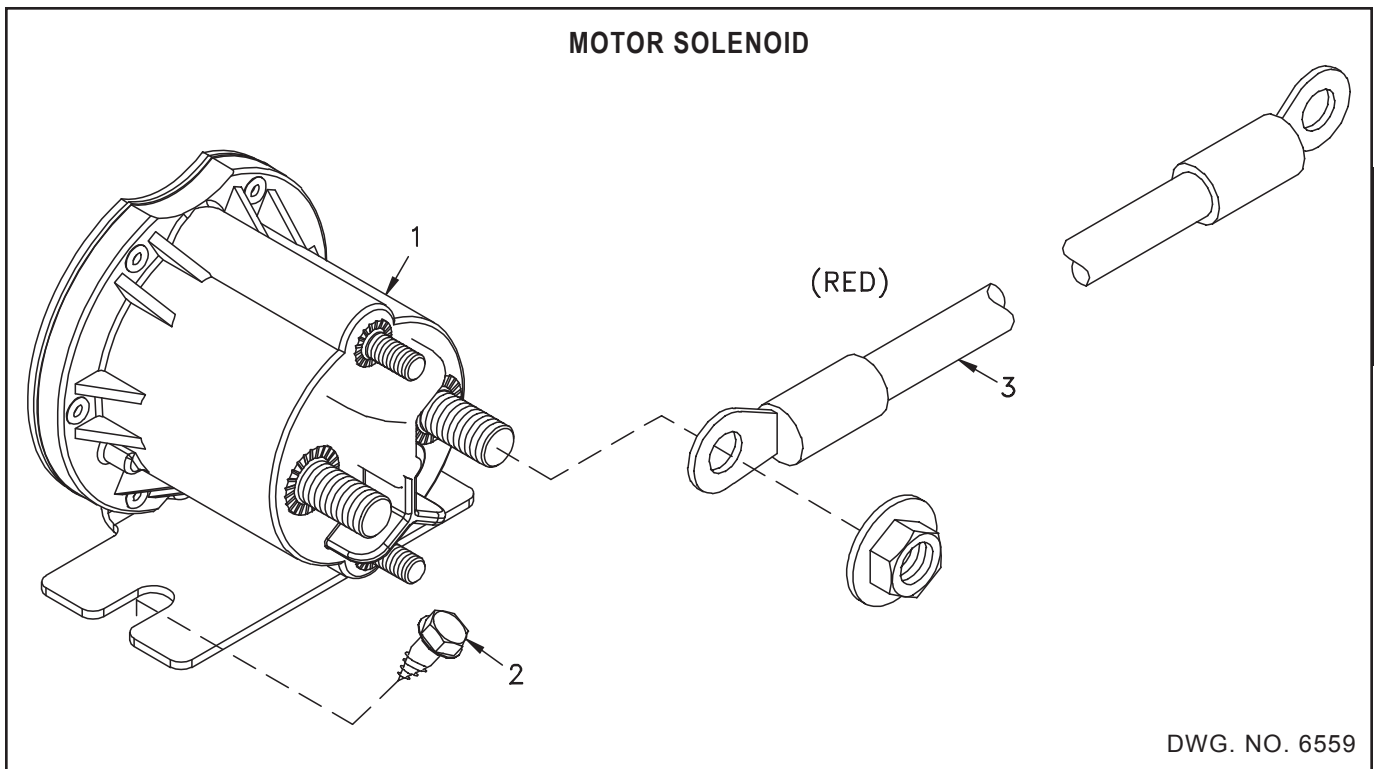
DWG. NO. 5925

REF. NO.	PART NUMBER	DESCRIPTION	QTY.	REF. NO.	PART NUMBER	DESCRIPTION	QTY.
1	36014020	Joystick Straight Plow W/Replaceable Switch	1	4	36014019	Replaceable Switch Assembly	1
2	39108005	Hook & Loop Assembly	1	5	36716033	Gasket	1
3	39302141	Decal, Straight Plow Joystick, 2 Sided	1				

SEC 7

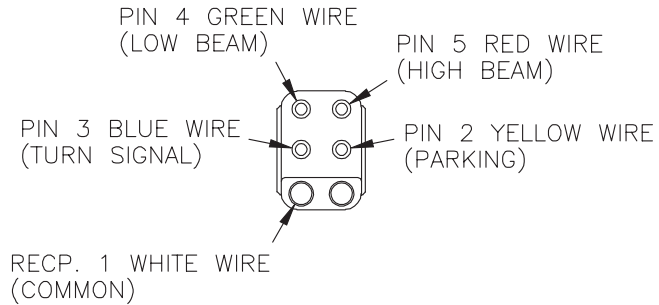
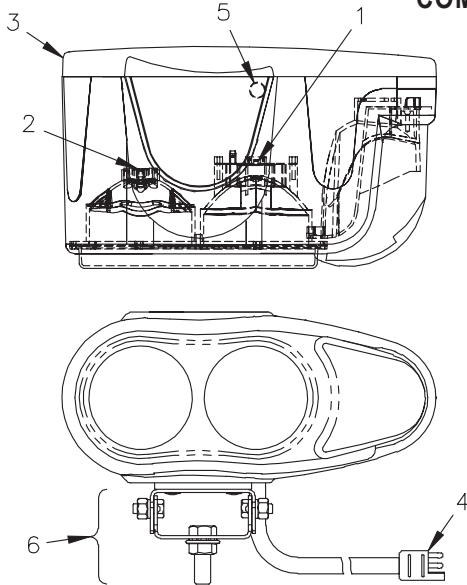


REF. NO.	PART NUMBER	DESCRIPTION	QTY.	REF. NO.	PART NUMBER	DESCRIPTION	QTY.
1	38813034	Underhood Snowplow Cable Assembly (Includes Relays & Fuse)	1	4	39207031	10 Amp Fuse	1
2	38350010	Headlight/Accessory Relay	3	5	38610104	Sealed Wire Tap Connector	3
3	031-30078	S-Tap Screw #8-18 x 1/2 Slotted Hex Head	3	6	38400012	Cover, Fuse Holder	1
				7	39107001	Foam Grommet 4" Long	1



REF. NO.	PART NUMBER	DESCRIPTION	QTY.	REF. NO.	PART NUMBER	DESCRIPTION	QTY.
1	38350015	Motor Solenoid, Sealed	1	3	38813012	Solenoid Cable, Red	1
2	950-005-004	Self Tapping Screw 1/4-20 x 1/2 Hex Washer Head	2				

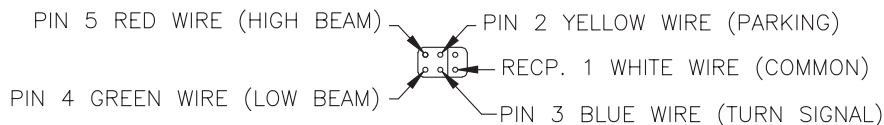
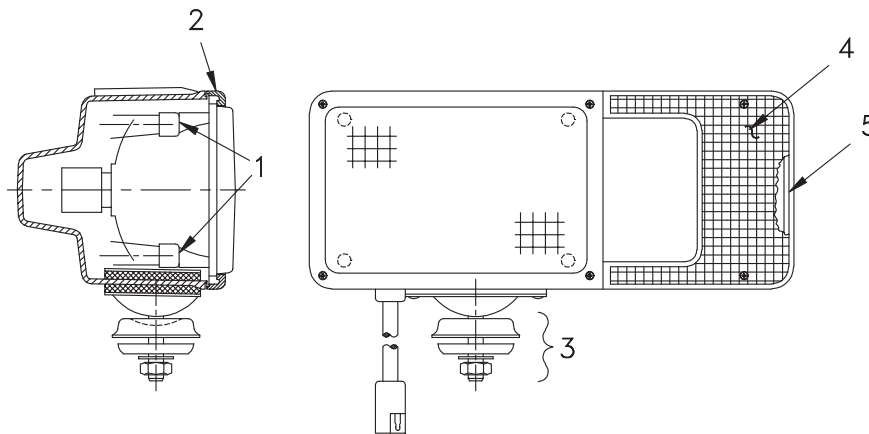
COMPOSITE HEADLAMPS



DWG. NO. 6628

REF. NO.	PART NUMBER	DESCRIPTION	QTY.	REF. NO.	PART NUMBER	DESCRIPTION	QTY.
	25012793	LH Light Assembly	1	5	25012417	Conduit Clamp	1
	25012792	RH Light Assembly	1	6	25012794	Mounting Hardware Kit	1
1	25012416	Spring Clip, High Beam	1		N/A	High Beam Headlight Bulb - One #H1 12V, 55W	1
2	25012415	Spring Clip, Low Beam	1		N/A	Low Beam Headlight Bulb - One #H7 12V, 55W	1
3	25012414	Back Panel, LH Light	1		N/A	Turn Signal/Parking Bulb - One #1157 Heavy Duty Double Contact 32/3 C.P.	1
	25012419	Back Panel, RH Light	1				
4	25012418	Wire Harness	1				

SEALED BEAM HEADLAMPS

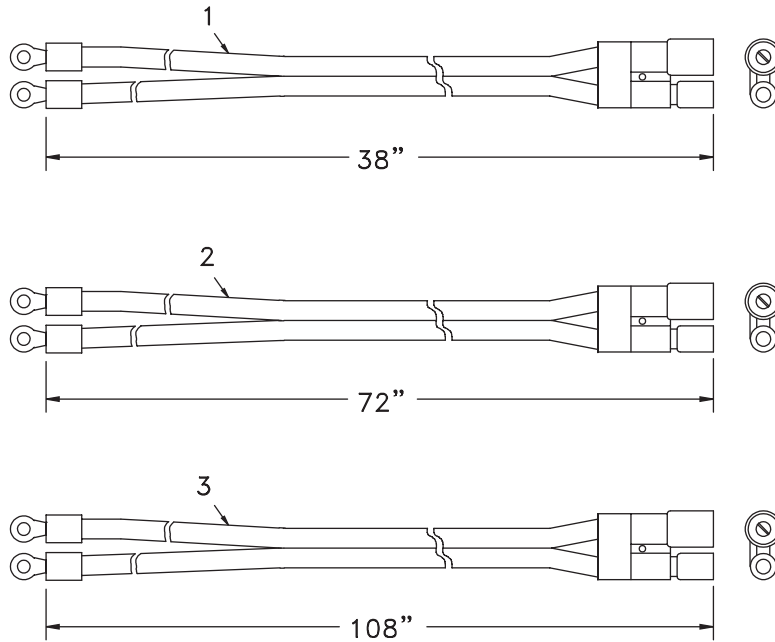


DWG. NO. 3893

REF. NO.	PART NUMBER	DESCRIPTION	QTY.	REF. NO.	PART NUMBER	DESCRIPTION	QTY.
	25010918	LH Light Assy (5 Pin Connector)		5	25010731	Head Lamps Lens Gasket	1
	25010919	RH Light Assy (5 Pin Connector)			N/A	Sealed Beam - HP6545 12VDC	1
1	25010727	Head Lamp Bumper	4			4.00" x 6.50" (100 mm x 165 mm)	
2	25010728	Head Lamp Rim	1			Rectangular Hi/Lo (65W/45W)	
3	25010729	Head Lamp Swivel Kit	1		N/A	Turn Signal/Park Bulb One #1157 Heavy Duty Double Contact 32/3 C.P.	1
4	25010730	Head Lamp Lens	1				

SEC 7

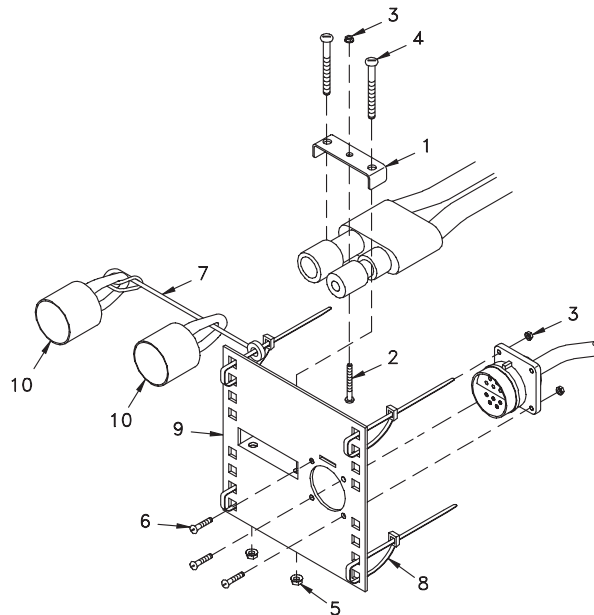
POWER CABLES



DWG. NO. 5342

REF. NO.	PART NUMBER	DESCRIPTION	QTY.	REF. NO.	PART NUMBER	DESCRIPTION	QTY.
1	38812008	Battery Power Cable - Snow Plow	1	3	38813066	Battery Power Cable - Truck 9 Ft.	1
2	38813007	Battery Power Cable - Truck 6 Ft.	1				

GRILL MOUNT PLATE



DWG. NO. 3900A

REF. NO.	PART NUMBER	DESCRIPTION	QTY.	REF. NO.	PART NUMBER	DESCRIPTION	QTY.
	25010512	Complete Mount Plate Kit (Items 1-10)		6	950-004-033	Machine Screw #6-32 x 1/2 Slotted Pan Head	4
1	25011037	Clamp	1	7	36716025	Nylon Lanyard 8"	1
2	700-10904	Machine Screw #6-32 x 1 Slotted Pan Head	1	8	367-001-011	Cable Tie 14"	4
3	951-003-014	Lock Nut #6-32 Nylon Insert	5	9	25010278	Plug Mount Plate	1
4	950-004-076	Machine Screw #10-24 x 1 1/2 Slotted Pan Head	2	10	36716002	Dust Cap	2
5	392-010-010	Lock Nut #10-24 Nylon Insert	2				

SEC 7

