

SECTION 6

POLY TRIP EDGE

SCOOP PLOW

FOR SERIES 6800 & 6900

PLOW COMPONENTS

- PAGE 2 MOLDBOARD ASSEMBLY
- PAGE 4 QUADRANT/PUSH FRAME ASSEMBLY
- PAGE 5 LIFT FRAME ASSEMBLY
- PAGE 6 POWER UNIT COVER ASSEMBLY
POLY SNOW DEFLECTOR KITS
- PAGE 7 1/2" THICK CUTTING EDGES
RUBBER CUTTING EDGES
- PAGE 8 WEAR PLATE KIT
CURB GUARD KITS

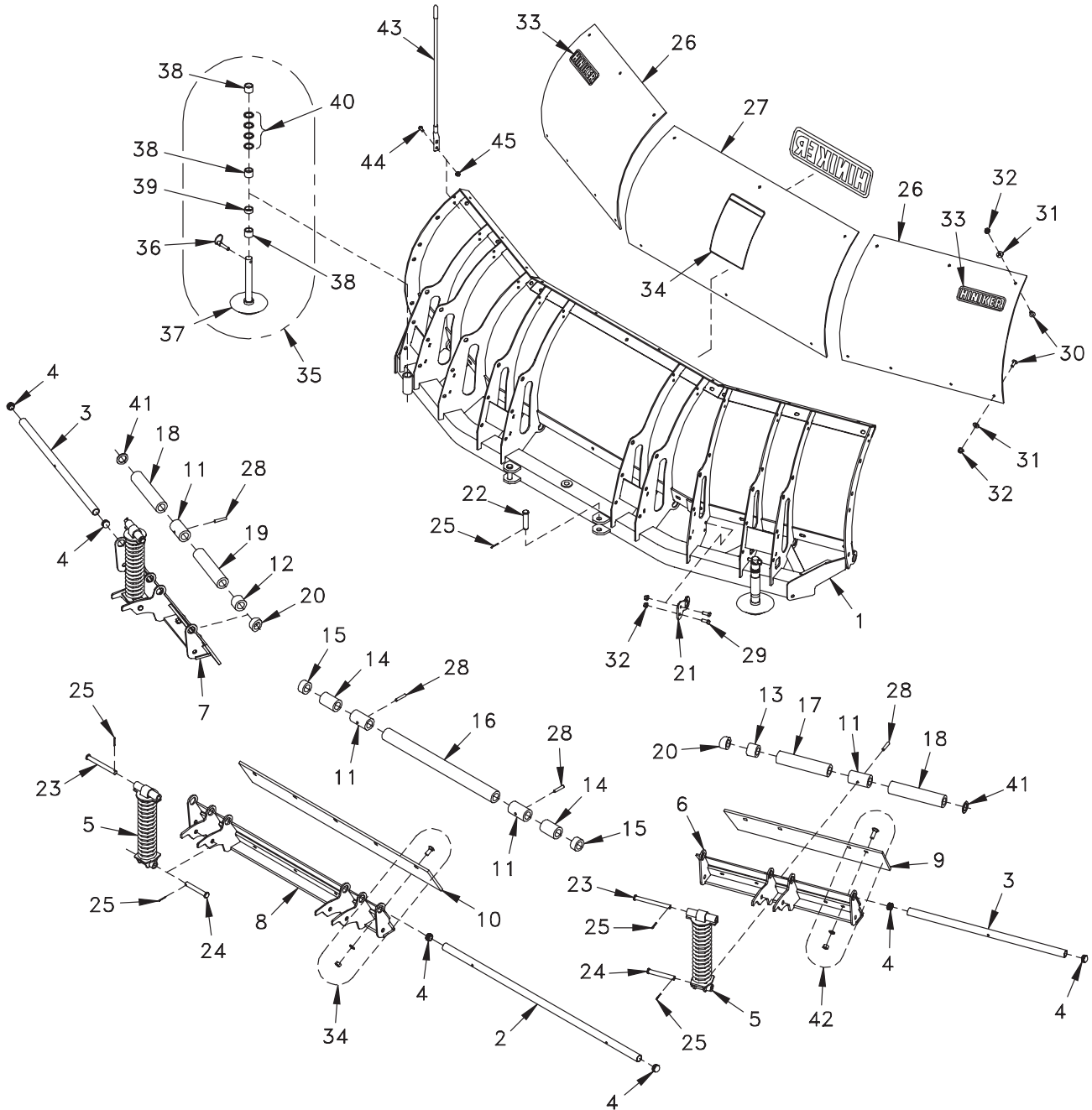
HYDRAULIC COMPONENTS

- PAGE 9 HYDRAULIC OVERVIEW
HYDRAULIC CYLINDERS
- PAGE 10 POWER UNIT - SPX MODEL DB-7929-2
- PAGE 11 POWER UNIT - SPX MODEL DB-1600

ELECTRICAL COMPONENTS

- PAGE 12 UNDERHOOD WIRING HARNESS
MOTOR SOLENOID
- PAGE 13 PLOW WIRING HARNESS
JOYSTICK CONTROLLER
- PAGE 14 COMPOSITE HEADLAMPS
SEALED BEAM HEADLAMPS
- PAGE 15 POWER CABLES
GRILL MOUNT PLATE

MOLDBOARD ASSEMBLY

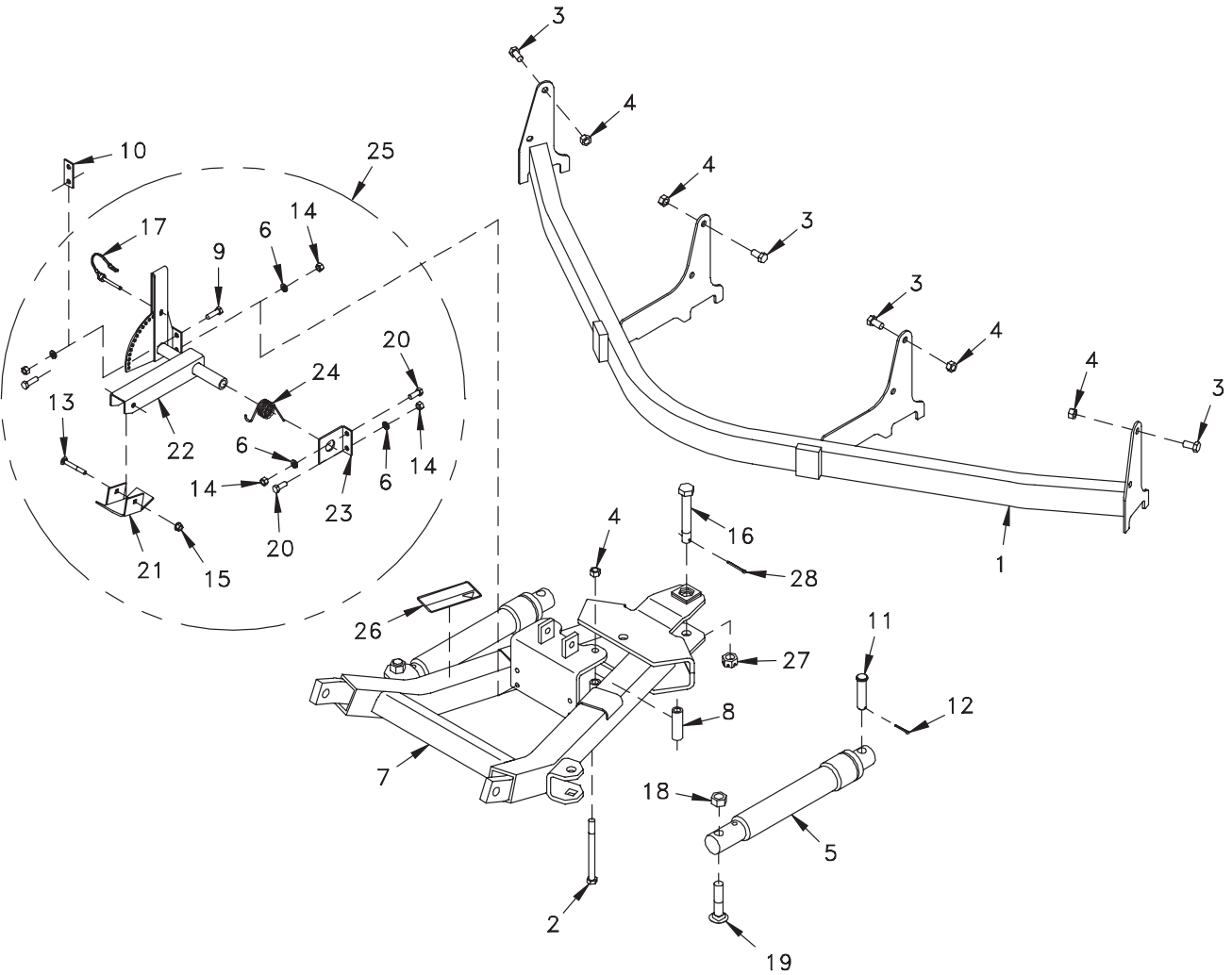


6
S
C
S

POLY SCOOP PLOW 6800-6900

REF. NO.	PART NUMBER	DESCRIPTION	QTY.	REF. NO.	PART NUMBER	DESCRIPTION	QTY.
1	25011653	Scoop Frame Weldment-8' Plow (Shown)	1	23	953-002-045	Clevis Pin 5/8 x 6	4
	25012621	Scoop Frame Weldment-9' Plow	1	24	953-002-044	Clevis Pin 5/8 x 4 3/8	4
2	25012617	Middle Trip Pin-8' Plow	1	25	035-42033	Cotter Pin 5/32 x 1 1/4	10
	25012620	Middle Trip Pin-9' Plow	1	26	25011559	Poly Moldboard Blank-End	2
3	25012618	End Trip Pin	2	27	25012191	Poly Moldboard Blank/Decal Assembly-8' Plow	1
4	25012375	End Cap	6		25012192	Poly Moldboard Blank/Decal Assembly-9' Plow	1
5	25011373	Spring Assembly	4	28	30009024	Slotted Spring Pin 3/8 x 2	4
6	25011542	RH Trip Edge Weldment	1	29	950-001-324	Hex Head Cap Screw 3/8-16 x 3/4 Gr. 8	2
7	25011541	LH Trip Edge Weldment	1	30	700-11704	Machine Screw 3/8-16 x 1" Slotted Truss Head -8' Plow	20
8	25011655	Middle Trip Edge Weldment-8' Plow	1		700-11704	Machine Screw 3/8-16 x 1" Slotted Truss Head -9' Plow	22
	25011531	Middle Trip Edge Weldment-9' Plow	1	31	952-002-013	Flat Washer 3/8 Inch, Stainless Steel-8' Plow	20
9	25011572	End Cutting Edge	2		952-002-013	Flat Washer 3/8 Inch, Stainless Steel-9' Plow	22
10	25011631	Middle Cutting Edge-8' Plow	1	32	951-005-003	Lock Nut 3/8-16 Mac Lock-8' Plow	22
	25011571	Middle Cutting Edge-9' Plow	1		951-005-003	Lock Nut 3/8-16 Mac Lock-9' Plow	24
11	25011341	Bushing, 3 3/8" Lg Steel	4	33	25011684	Hiniker Decal	2
12	25011719	Bushing, 1 1/2" Lg Poly	1	34	25012270	Snowplow Removal Decal	1
13	25011570	Bushing, 1 11/16" Lg Poly	1	35	25011487	Cast Iron Skid Assembly	2
14	25011634	Bushing, 3" Lg Poly-8' Plow	2	36	25010319	Klik Pin	2
	25011566	Bushing, 8 11/16" Lg Poly-9 Plow	2	37	25011478	Cast Iron Skid Shoe	2
15	25011568	Bushing, 1" Lg Poly	2	38	25010049	1" Skid Spacer	6
16	25011567	Bushing, 24 5/16" Lg Poly	1	39	25010048	1/2" Skid Spacer	2
17	25011566	Bushing, 8 11/16" Lg Poly	1	40	952-004-071	Machinery Bushing 1 5/32 x 1 1/2 x 10 Ga.	8
18	25011565	Bushing, 9 5/16" Lg Poly	2	41	952-004-076	Machinery Bushing 1 1/4 x 1 7/8 x 10 Ga.	2
19	25011564	Bushing, 8 7/8" Lg Poly	1	42	25011578	Cutting Edge Bolt Kit	1
20	25011563	Angled Bushing, 1 1/8" Lg Poly	2	43	25010118	Blade Guide Red	2
21	25011562	Middle Shaft Support	1	44	950-001-113	Hex Head Cap Screw 5/16-18 x 3/4 Gr. 5	4
22	953-002-032	Clevis Pin 3/4 x 3	2	45	951-005-036	Lock Nut 5/16-18 Mac Lock	4

QUADRANT/PUSH FRAME ASSEMBLY

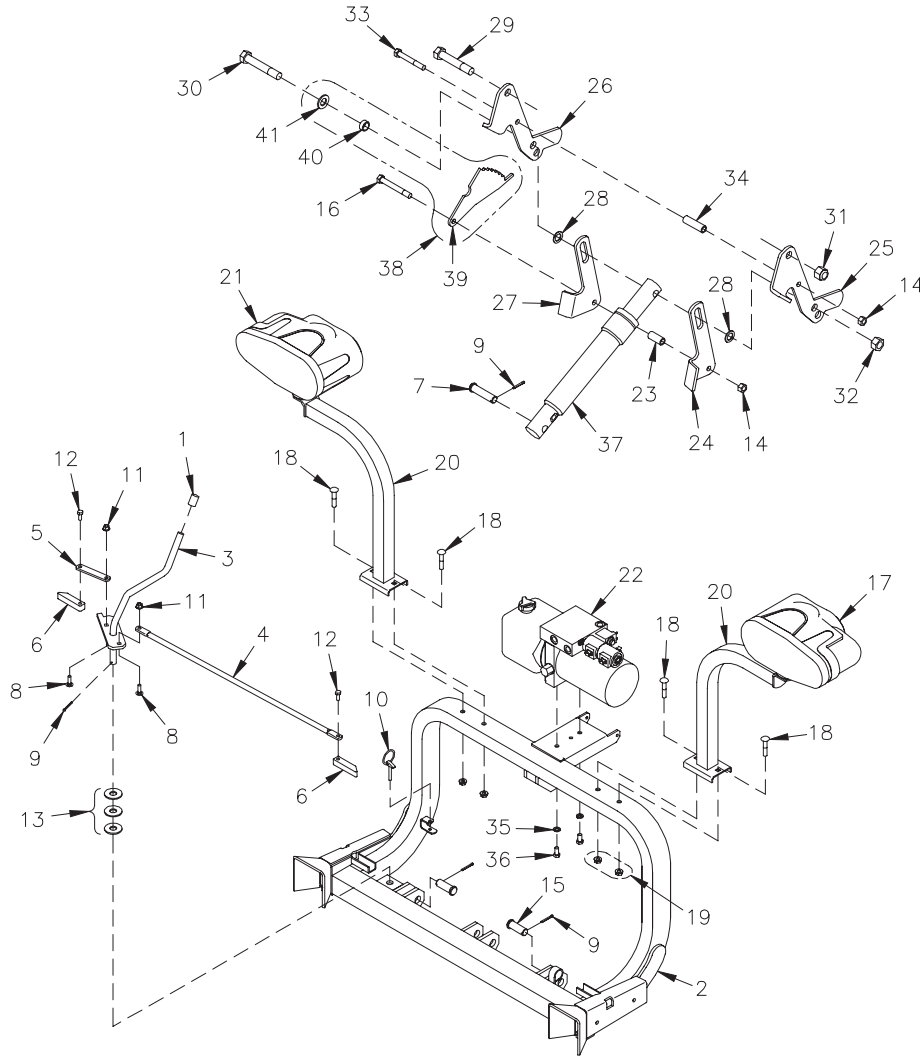


DWG. NO. 5460B

REF. NO.	PART NUMBER	DESCRIPTION	QTY.	REF. NO.	PART NUMBER	DESCRIPTION	QTY.
1	25011656	8 Ft. Scoop Quadrant Weldment (Shown)	1	14	951-001-005	Hex Nut 3/8-16 Inch	4
	25012624	9 Ft. Scoop Quadrant Weldment	1	15	951-005-036	Lock Nut 5/16-18 Mac Lock	1
2	031-06219	Hex Head Cap Screw 1/2-13 x 6 Gr. 5	2	16	25012614	Drilled Bolt 3/4-10 x 5 Gr. 5	1
3	950-001-231	Hex Head Cap Screw 1/2-13 x 1 Gr. 5 (8 Ft Plow)	8	17	25010797	Tab Lock Pin, 1/4 x 2	1
	950-001-231	Hex Head Cap Screw 1/2-13 x 1 Gr. 5 (9 Ft Plow)	12	18	951-005-037	Lock Nut 3/4-10 2-Way	2
4	10304	Lock Nut 1/2-13 2-Way (8 Ft Plow)	10	19	030-16198	Carriage Bolt 3/4-10 x 3 1/2 Gr. 5	2
	10304	Lock Nut 1/2-13 2-Way (9 Ft Plow)	14	20	950-001-105	Hex Head Cap Screw 3/8-16 x 1 Gr. 5	2
5	25010523	1/2 x 10 SA Cylinder (See Sec. 6 Pg. 9)	2	21	25010801	Stand Foot	1
6	952-001-007	Lock Washer 3/8 Inch	4	22	25010800	Lever Weldment	1
7	25012483	Push Frame Weldment/Decal Assembly	1	23	25010798	Bracket	1
8	25011477	2 13/16" Bushing	2	24	25010795	Helical Torsion Spring	1
9	950-001-106	Hex Head Cap Screw 3/8 x 1 1/4 Gr. 5	2	25	25011050	Park Stand Kit	1
10	25011486	Parking Stand Spacer	1	26	25010697	Caution Decal	1
11	953-002-032	Clevis Pin 3/4 x 3	2	27	034-00136	Slotted Nut 3/4-10	1
12	035-42033	Cotter Pin 5/32 x 1 1/4	2	28	953-001-008	Cotter Pin 3/16 x 1 3/4	1
13	950-003-074	Carriage Bolt 5/16 x 2 1/2 Gr. 5	1				

6 STEPS

LIFT FRAME ASSEMBLY



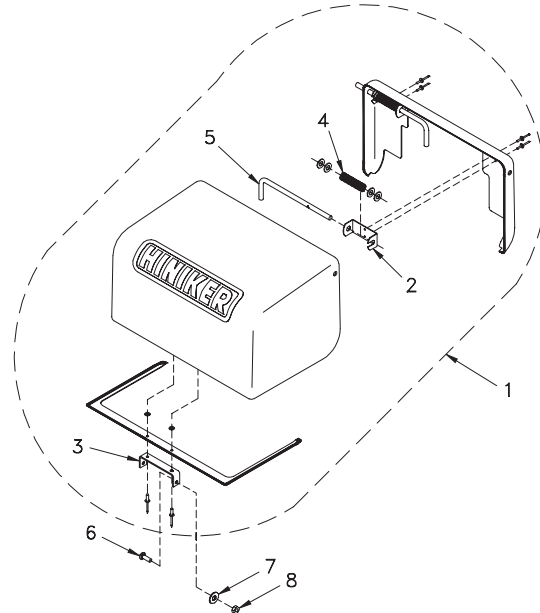
DWG. NO. 5734A

SECTION 6

REF. NO.	PART NUMBER	DESCRIPTION	QTY.	REF. NO.	PART NUMBER	DESCRIPTION	QTY.
1	25011230	Vinyl Cap	1	24	25012396	RH Lower Link, 5/16" Thick	1
2	25012583	Frame Weldment	1		25010390	RH Lower Link, 1/4" Thick	1
3	25010410	Handle Weldment	1	25	25012394	RH Upper Link, 5/16" Thick	1
4	25010274	Long Tie Rod	1		25011045	RH Upper Link, 1/4" Thick	1
5	25010275	Short Tie Rod	1	26	25012393	LH Upper Link, 5/16" Thick	1
6	25010276	Slider	2		25011044	LH Upper Link, 1/4" Thick	1
7	953-002-032	Clevis Pin 3/4 x 3 Gr. 5	1	27	25012395	LH Lower Link, 5/16" Thick	1
8	030-16042	Carriage Bolt 5/16-18 x 1 Gr. 5	2		25010389	LH Lower Link, 1/4" Thick	1
9	035-42033	Cotter Pin 5/32 x 1 1/4	4	28	952-004-003	Machine Bushing	2
10	703-00209	Klik Pin	1	29	950-001-310	Hex Head Cap Screw 3/4-10 x 4 1/4 Gr. 5, 1 1/4 Thd Lgth	1
11	951-005-036	Lock Nut 5/16-18 Mac Lock	2	30	950-001-311	Hex Head Cap Screw 3/4-10 x 4 1/2 Gr. 5, 1 1/4 Thd Lgth	1
12	950-011-042	Hex Head Cap Screw 5/16-18 x 3/4 Nylon Dri-Loc	2	31	951-003-010	Lock Nut 3/4-10 Nylon Insert	1
13	952-002-007	Flat Washer, 5/8 Inch	3	32	951-005-037	Lock Nut 3/4-10, 2-Way	1
14	10304	Lock Nut 1/2-13, 2-Way	2	33	950-001-142	Hex Head Cap Screw 1/2-13 x 3 1/2 Gr. 5	1
15	953-002-031	Clevis Pin 3/4 x 2 Gr. 5	2	34	25011048	Upper Link Spacer	1
16	950-001-309	Hex Head Cap Screw 1/2-13 x 4 Gr. 5, 7/8 Thd Lgth	1	35	952-001-007	Lock Washer, 3/8 Inch	2
17	25012792	RH Light Assembly (See Sec. 6 Page 14)	1	36	950-001-089	Hex Head Cap Screw 3/8-16 x 3/4 Gr. 5	2
18	950-003-070	Carriage Bolt 3/8-16 x 2 Gr. 5	4	37	25011581	1 1/2 x 9 SA Cylinder (See Sec. 6, Page 9)	1
19	951-005-003	Lock Nut 3/8-16 Mac Lock	4	38	25011986	Stop Plate Kit (Includes Lock Nut #32)	1
20	25011334	Light Bracket Weldment	2	39	25011984	Stop Plate	1
21	25012793	LH Light Assembly (See Sec. 6 Page 14)	1	40	25011885	Bushing	1
22	25012649	Power Unit (See Sec. 6 Page 10)	1	41	033-12013	SAE Flat Washer, 3/4 Inch	1
23	25010114	Lower Link Spacer	1				

POLY SCOOP PLOW 6800-6900

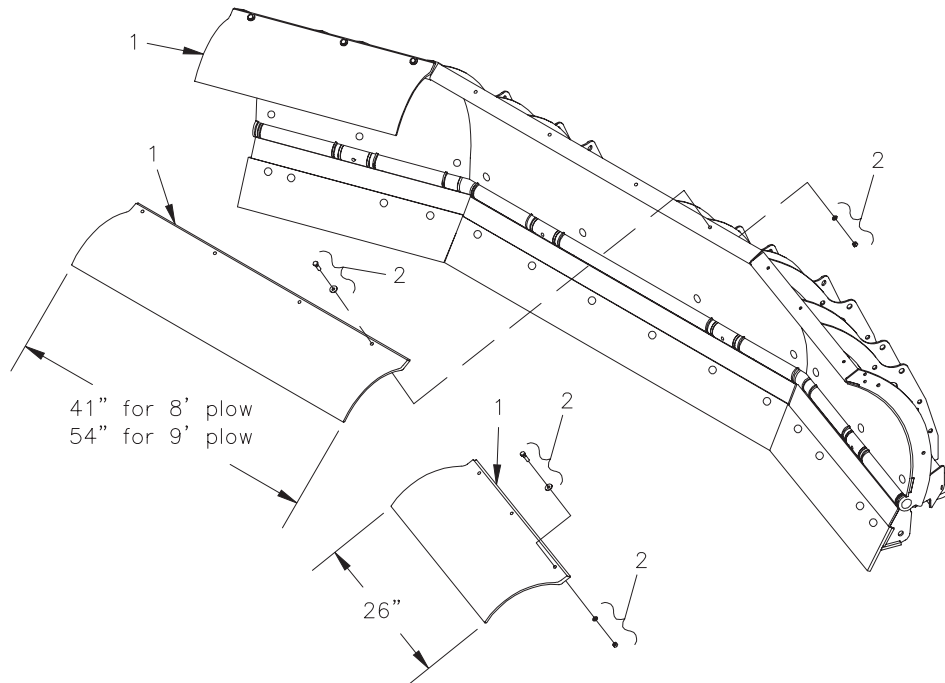
POWER UNIT COVER ASSEMBLY



DWG. NO. 5559

REF. NO.	PART NUMBER	DESCRIPTION	QTY.	REF. NO.	PART NUMBER	DESCRIPTION	QTY.
1	25011070	Cover Assembly (Includes Items 2-5)	1	5	25011071	Rod	2
2	25011073	Clevis	2	6	031-10657	Machine Screw 1/4-20 x 3/4 Slotted Round Head	2
3	25011072	Clevis	1	7	952-002-011	Flat Washer 1/4 Inch	2
4	25010717	Compression Spring	2	8	060954	Lock Nut 1/4-20 Nylon Insert	2

POLY SNOW DEFLECTOR KITS



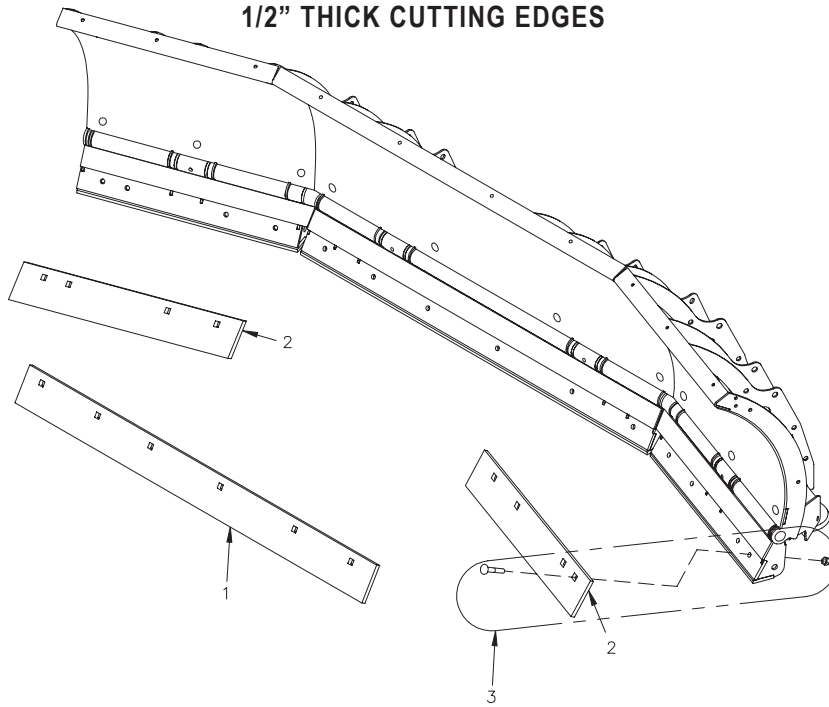
25011789 Poly Snow Deflector Kit For 8 Ft. Plows
 25011983 Poly Snow Deflector Kit For 9 Ft. Plows

DWG. NO. 5681

REF. NO.	PART NUMBER	DESCRIPTION	QTY.	REF. NO.	PART NUMBER	DESCRIPTION	QTY.
1	25011794	8 Ft. Snow Deflector Extrusion	1	2	25011793	Bolt Box Snow Deflector	1
	25011982	4 1/2 Ft. Snow Deflector Extrusion	2				

6
SECS

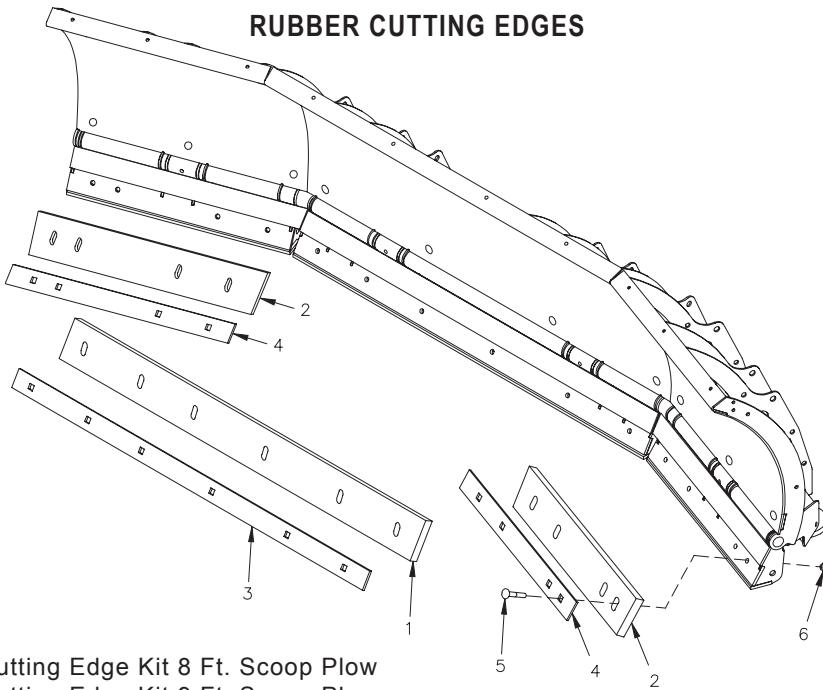
1/2" THICK CUTTING EDGES



DWG. NO. 5882

REF. NO.	PART NUMBER	DESCRIPTION	QTY.	REF. NO.	PART NUMBER	DESCRIPTION	QTY.
1	25012032	Middle Cutting Edge 9' Plow	1	2	25012030	Scoop End Cutting Edge	2
	25012028	Middle Cutting Edge 8' Plow	1	3	25011578	Cutting Edge Bolt Kit	1

RUBBER CUTTING EDGES



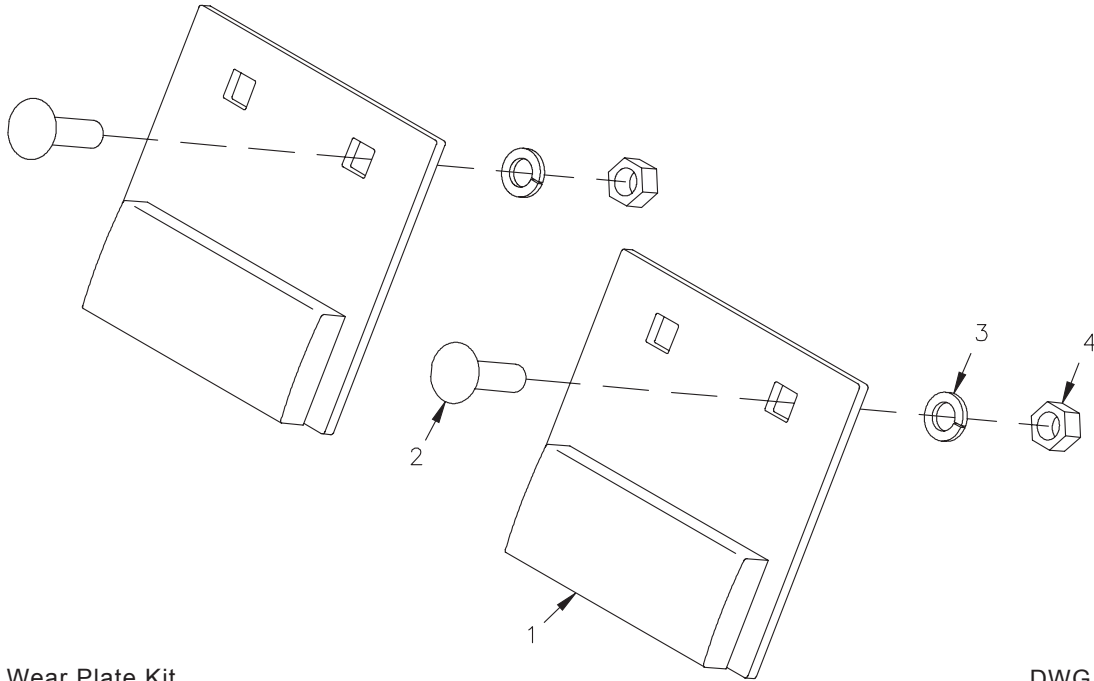
25011776 Rubber Cutting Edge Kit 8 Ft. Scoop Plow
 25011782 Rubber Cutting Edge Kit 9 Ft. Scoop Plow

DWG. NO. 5736

REF. NO.	PART NUMBER	DESCRIPTION	QTY.	REF. NO.	PART NUMBER	DESCRIPTION	QTY.
1	25011783	Rubber Cutting Edge 9 Ft. Middle	1	4	25011781	Strap Scoop End	2
	25011777	Rubber Cutting Edge 8 Ft. Middle	1	5	030-16136	Carriage Bolt 1/2-13 x 2 1/2 Gr. 5	A/R
2	25011778	Rubber Cutting Edge Scoop End	2	6	951-003-009	Hex Nut 1/2 Nylon Insert #5	A/R
3	25011785	Strap 9 Ft. Scoop Middle	1				
	25011780	Strap 8 Ft. Scoop Middle	1				

POLY SCOOP PLOW 6800-6900

WEAR PLATE KIT



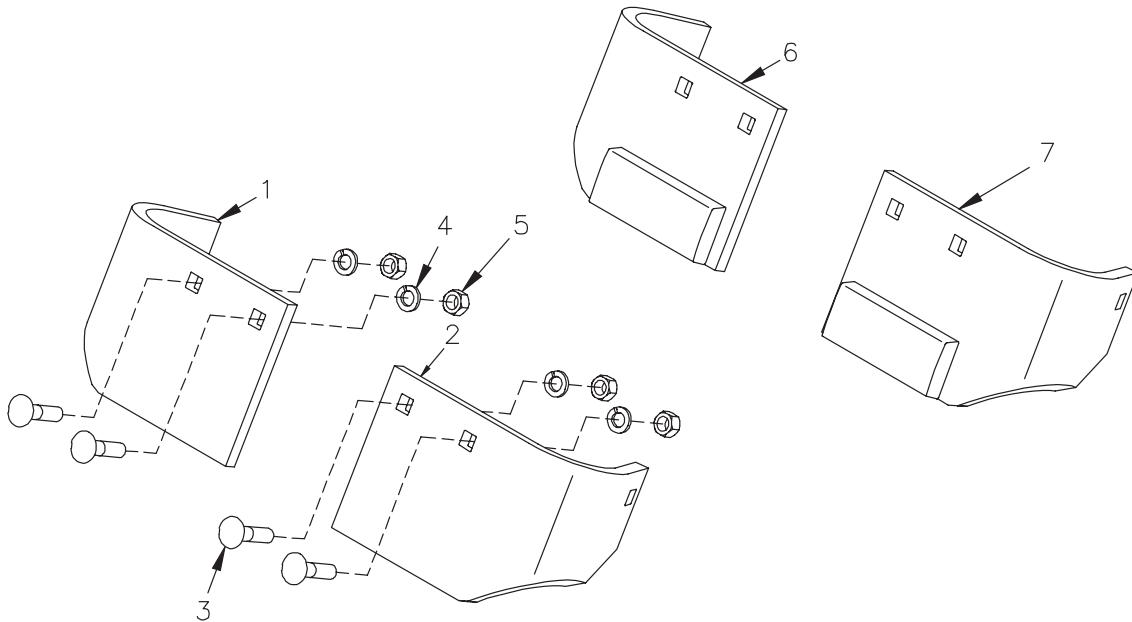
25012587 Wear Plate Kit

DWG. NO. 6331

REF. NO.	PART NUMBER	DESCRIPTION	QTY.	REF. NO.	PART NUMBER	DESCRIPTION	QTY.
1	25012588	Wear Plate Weldment	2	3	952-001-004	Lock Washer 1/2 Inch	4
2	950-003-058	Carriage Bolt 1/2-13 x 1 3/4 Gr. 5	4	4	951-001-007	Hex Nut 1/2-13	4

6 STEPS

CURB GUARD KITS



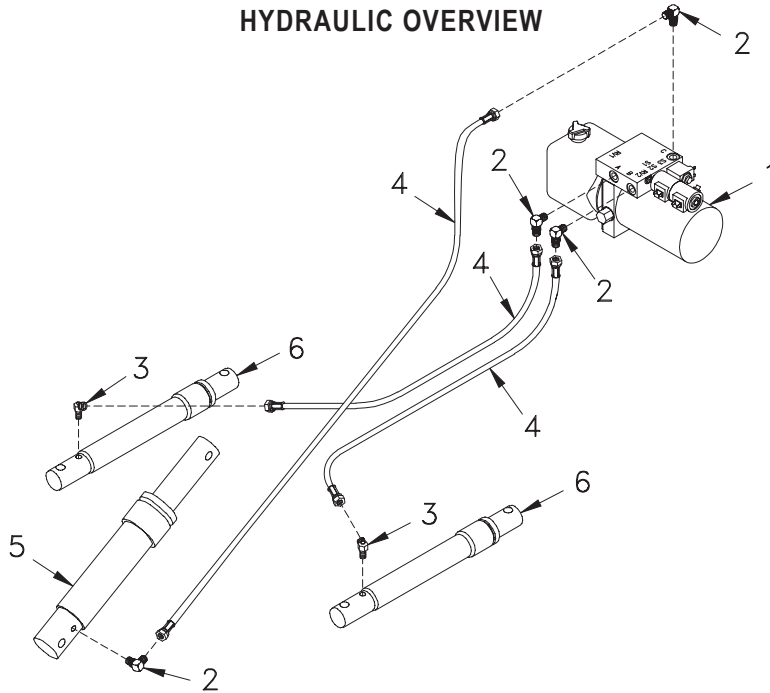
25011695 Curb Guard Kit - Standard
25012726 Curb Guard Kit With Wear Bars

DWG. NO. 5486

REF. NO.	PART NUMBER	DESCRIPTION	QTY.	REF. NO.	PART NUMBER	DESCRIPTION	QTY.
1	25011712	RH Curb Guard - Standard	1	5	951-001-007	Hex Nut 1/2-13	4
2	25011713	LH Curb Guard - Standard	1	6	25012722	RH Curb Guard With Wear Bar	1
3	950-003-025	Carriage Bolt 1/2-13 x 2 Gr. 5	4	7	25012723	LH Curb Guard With Wear Bar	1
4	952-001-004	Lock Washer 1/2 Inch	4				

POLY SCOOP PLOW 6800-6900

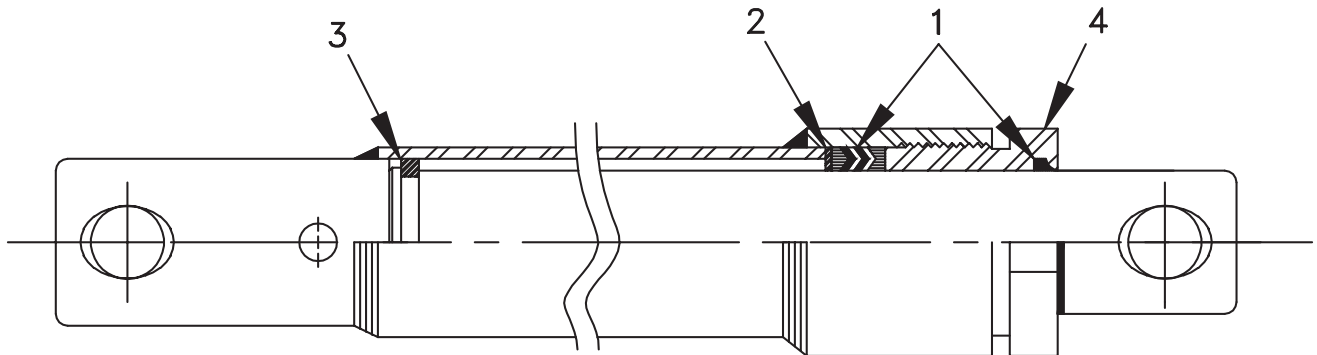
HYDRAULIC OVERVIEW



DWG. NO. 3460

REF. NO.	PART NUMBER	DESCRIPTION	QTY.	REF. NO.	PART NUMBER	DESCRIPTION	QTY.
1	25012649	Power Unit	1	4	957-010-005	Hydraulic Hose Assembly 1/4 x 32"	3
2	956-005-022	90° Adapter 9/16 ORB x 9/16 JIC	4	5	25011581	1 1/2 x 9 Cylinder	1
3	956-005-023	45° Adapter 9/16 ORB x 9/16 JIC	2	6	25010523	1 1/2 x 10 Cylinder	2

HYDRAULIC CYLINDERS



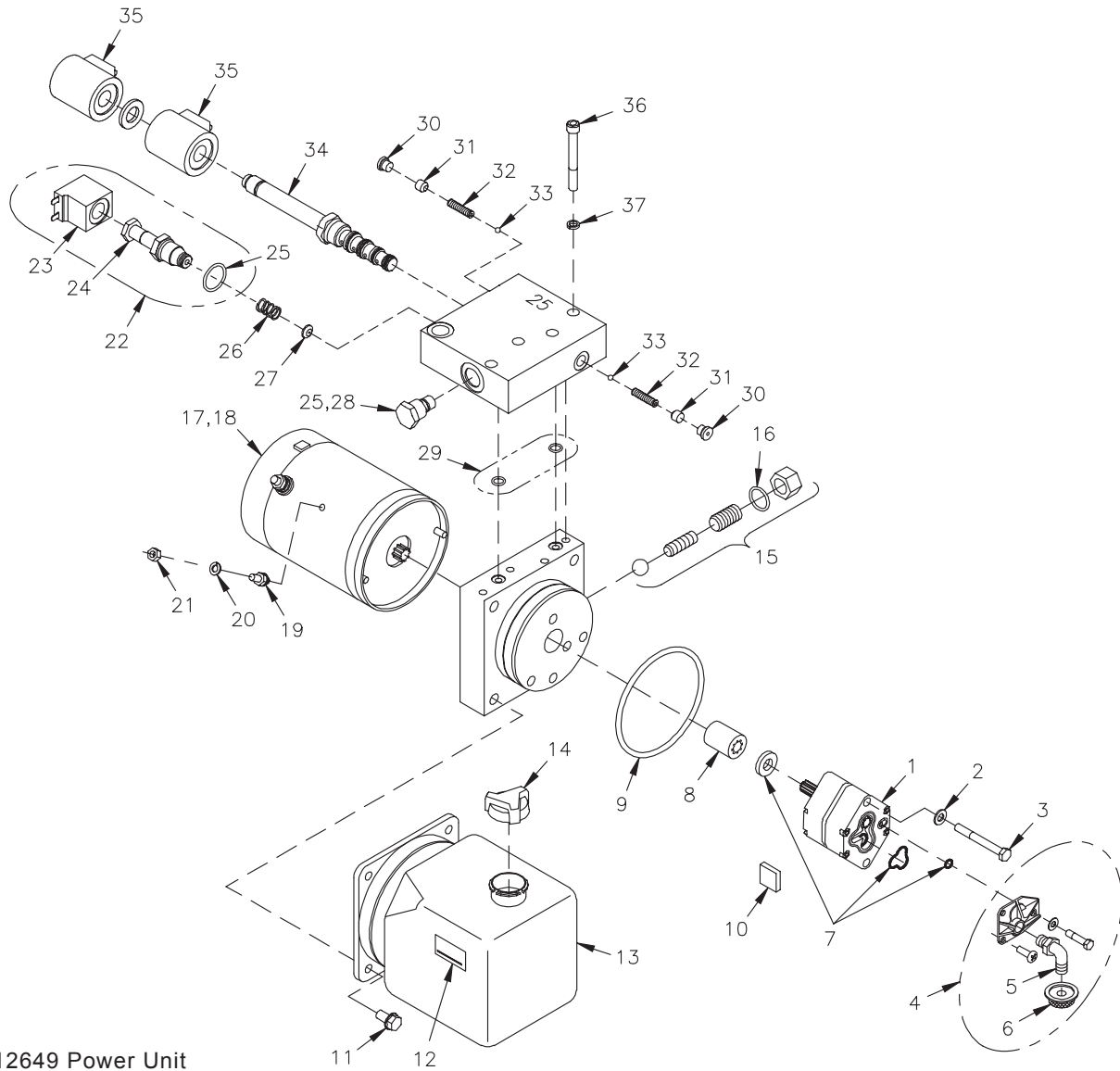
SECTION 6

25010523 1 1/2 x 10 Cylinder
25011581 1 1/2 x 9 Cylinder

DWG. NO. 3706

REF. NO.	PART NUMBER	DESCRIPTION	QTY.	REF. NO.	PART NUMBER	DESCRIPTION	QTY.
1	25010464	Seal Kit	1	3	25010017	Guide Ring	1
2	25010016	Seat Ring	1	4	25010018	Packing Nut	1

POWER UNIT - SPX MODEL DB-7929-2



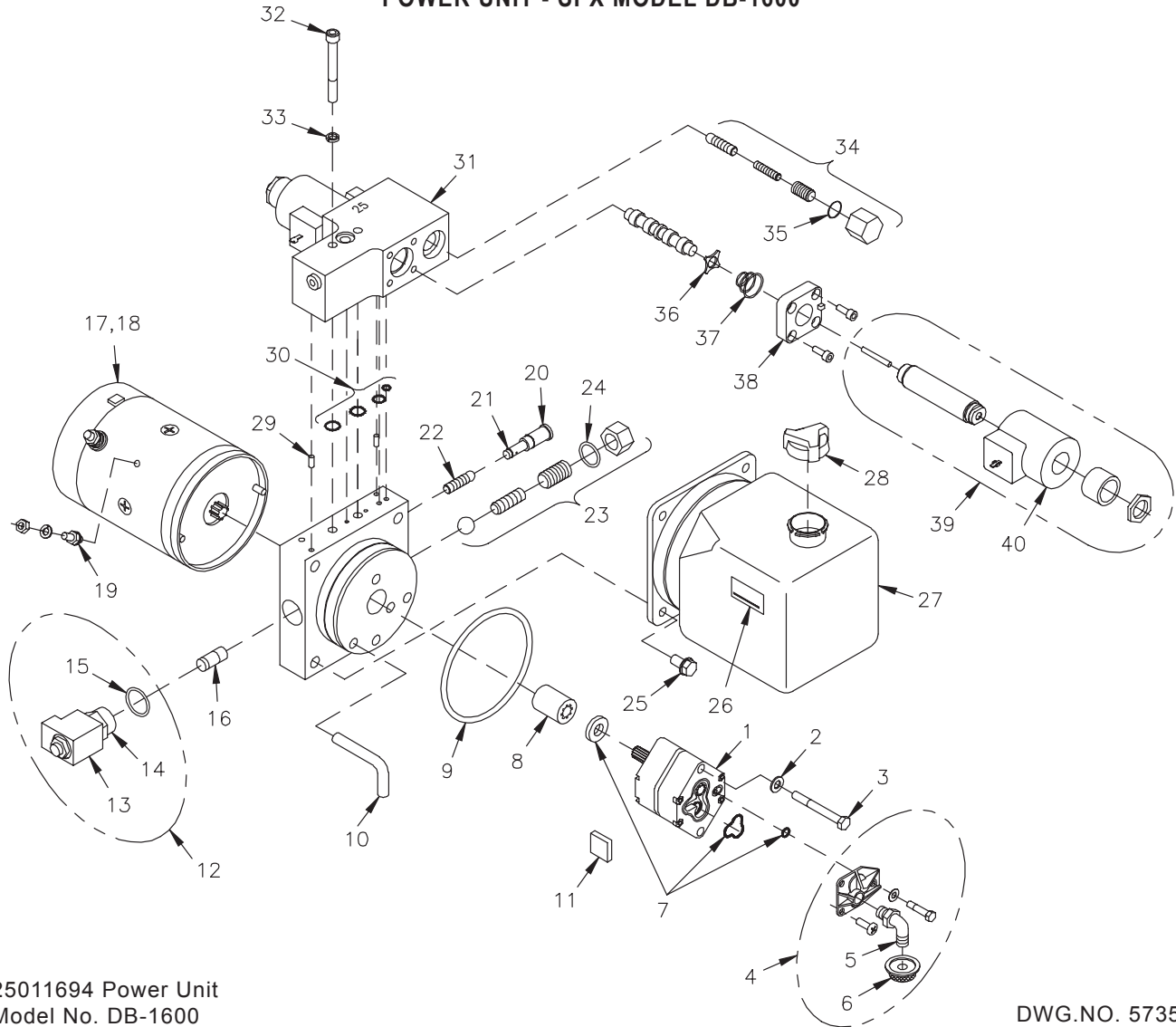
25012649 Power Unit
Model No. DB-7929-2

DWG.NO. 6527

REF. NO.	PART NUMBER	DESCRIPTION	QTY.	REF. NO.	PART NUMBER	DESCRIPTION	QTY.
1	25011706	Pump Assembly	1	20	952-001-001	Lock Washer 1/4 Inch	1
2	033-12007	SAE Flat Washer, 5/16 Inch	2	21	951-001-003	Hex Nut 1/4-20	1
3	950-001-327	Hex Head Cap Screw 5/16-24 x 3 Gr. 8	2	22	25011654	Release Valve Kit, Double Spade Coil	1
4	25010332	Inlet Plumbing Kit	1	23	25011667	Solenoid Coil 10V DC	1
5	25010244	Plumbing Elbow	1	24	25010544	Cartridge Release Valve	1
6	25010221	Filter	1	25	25010992	O-Ring Kit	1
7	25010334	Pump O-Ring Kit	1	26	25012674	Spring	1
8	25010214	Coupling	1	27	25012677	Return Orifice	1
9	25010236	O-Ring	1	28	25010746	Check Valve	1
10	25010220	Plumbing Magnet	1	29	25010762	Manifold O-Ring Kit	1
11	950-004-071	Machine Screw #12-24 x 1/2 - Hex Washer Head	4	30	25012686	ORB Plug	2
12	25010436	Decal - Fill Line	1	31	25012685	Set Screw 3/8-24 x .38 Selflock	2
13	25010240	Plastic Tank	1	32	25012684	Spring	2
14	25010217	Plastic Breather	1	33	25012683	Ball .25 Dia. Steel	2
15	25010330	Adjustable Relief Valve Kit	1	34	25012688	Directional Valve	1
16	25010518	Adjustable Relief Valve O-Ring	1	35	25012687	Solenoid Coil 10V DC	2
17	25010230	Motor 12V DC	1	36	950-004-115	Socket Head Cap Screw W/Thread Lock 1/4-20 x 1 3/4	4
18	25010337	Motor Brush Kit	1	37	952-004-080	Lock Washer 1/4 x .363 O.D.	4
19	25012673	Ground Stud	1				

6 STEPS

POWER UNIT - SPX MODEL DB-1600



25011694 Power Unit
Model No. DB-1600

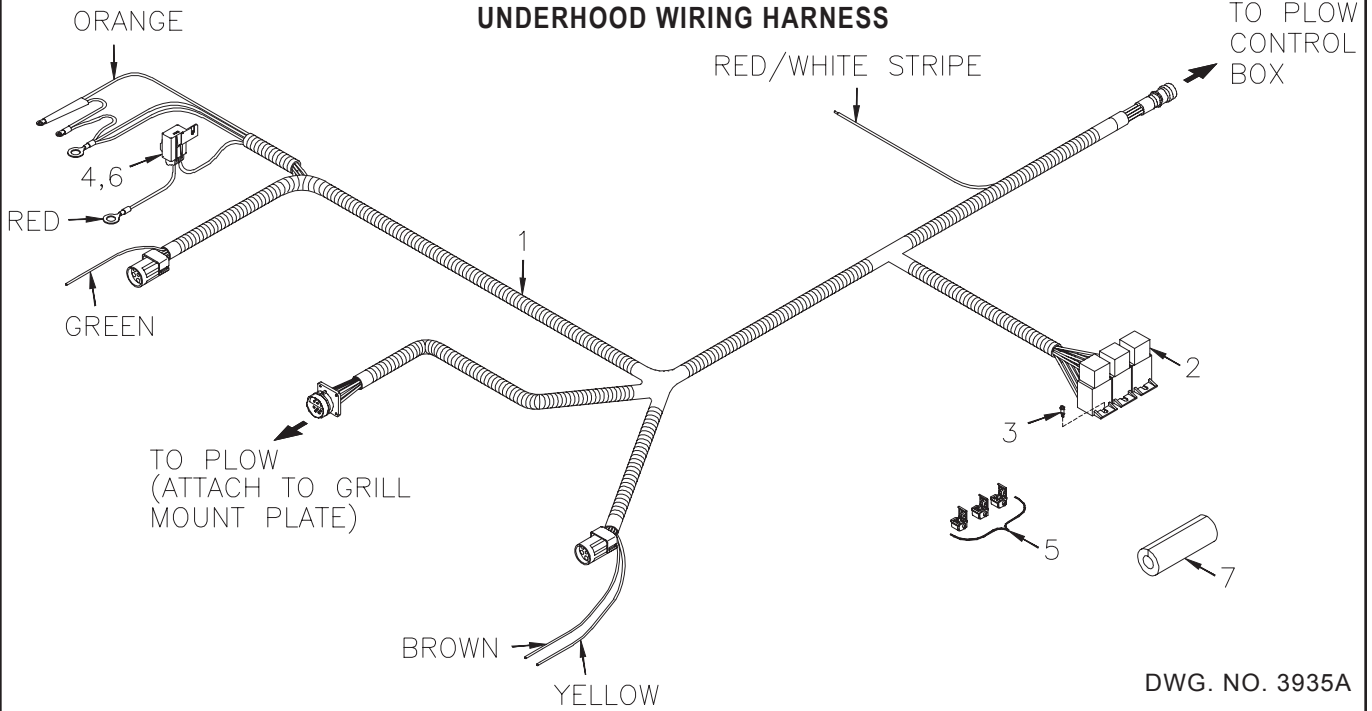
DWG.NO. 5735A

6
S
E
C
T
I
O
N

REF. NO.	PART NUMBER	DESCRIPTION	QTY.	REF. NO.	PART NUMBER	DESCRIPTION	QTY.
1	25011706	Pump Assembly	1	20	25010228	Check Valve Assembly	1
2	033-12007	Sae Flat Washer, 5/16 Inch	2	21	25010477	Check Valve O-Ring Kit	1
3	950-001-327	Hex Head Cap Screw 5/16-24 x 3 Gr. 8	2	22	25010241	Spring & Ball Assembly	1
4	25010332	Inlet Plumbing Kit	1	23	25010330	Adjustable Relief Valve Kit	1
5	25010244	Plumbing Elbow	1	24	25010518	Adjustable Relief Valve O-Ring	1
6	25010221	Filter	1	25	950-004-071	Machine Screw #12-24 x 1/2 - Hex Washer Head	4
7	25010334	Pump O-Ring Kit	1	26	25010436	Decal - Fill Line	1
8	25010214	Coupling	1	27	25010240	Plastic Tank	1
9	25010236	O-Ring	1	28	25010217	Plastic Breather	1
10	25010549	Return Tube	1	29	25010235	Pin 1/8 x 1/4	3
11	25010220	Plumbing Magnet	1	30	25010335	Directional Valve O-Ring Kit	1
12	25011654	Release Valve Kit, Double Spade Coil	1	31	25010533	U-Valve Assembly	1
	25011920	Release Valve Kit, Double Spade W/ Ground Wire	1	32	950-004-114	Socket Head Cap Screw W/Thread Lock 1/4-20 x 2 1/8	2
13	25011667	Solenoid Coil, Double Spade	1	33	952-004-080	Lock Washer 1/4 x .363 O.D.	2
	25011917	Solenoid Coil, Double Spade W/Ground Wire	1	34	25010336	Crossover Relief Valve Kit	2
14	25010544	Cartridge Release Valve	1	35	25010519	Crossover Relief Valve O-Ring	2
15	25010992	O-Ring Kit	1	36	25012636	Shim	2
16	25010542	Flow Control Valve	1	37	25012637	Spring	2
17	25010230	Motor 12V DC	1	38	25012639	Mount Block With O-Ring	2
18	25010337	Motor Brush Kit	1	39	25010333	Directional Valve Coil Kit	2
19	25012673	Ground Stud	1	40	25010541	Coil	2

POLY SCOOP PLOW 6800-6900

UNDERHOOD WIRING HARNESS

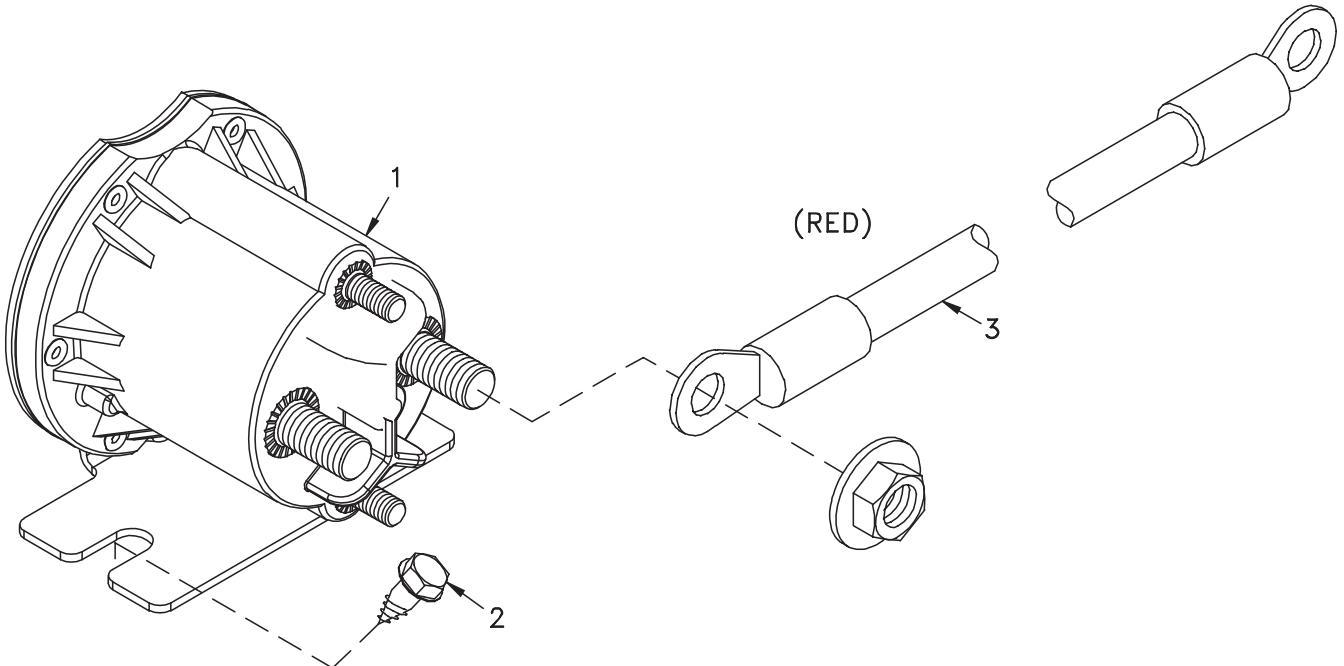


DWG. NO. 3935A

REF. NO.	PART NUMBER	DESCRIPTION	QTY.	REF. NO.	PART NUMBER	DESCRIPTION	QTY.
1	38813034	Underhood Snowplow Cable Assembly (Includes Relays & Fuse)	1	4	39207031	10 Amp Fuse	1
2	38350010	Headlight/Accessory Relay	3	5	38610104	Sealed Wire Tap Connector	3
3	031-30078	S-Tap Screw #8-18 x 1/2 Slotted Hex Head	3	6	38400012	Cover, Fuse Holder	1
				7	39107001	Foam Grommet 4" Long	1

STEP 6

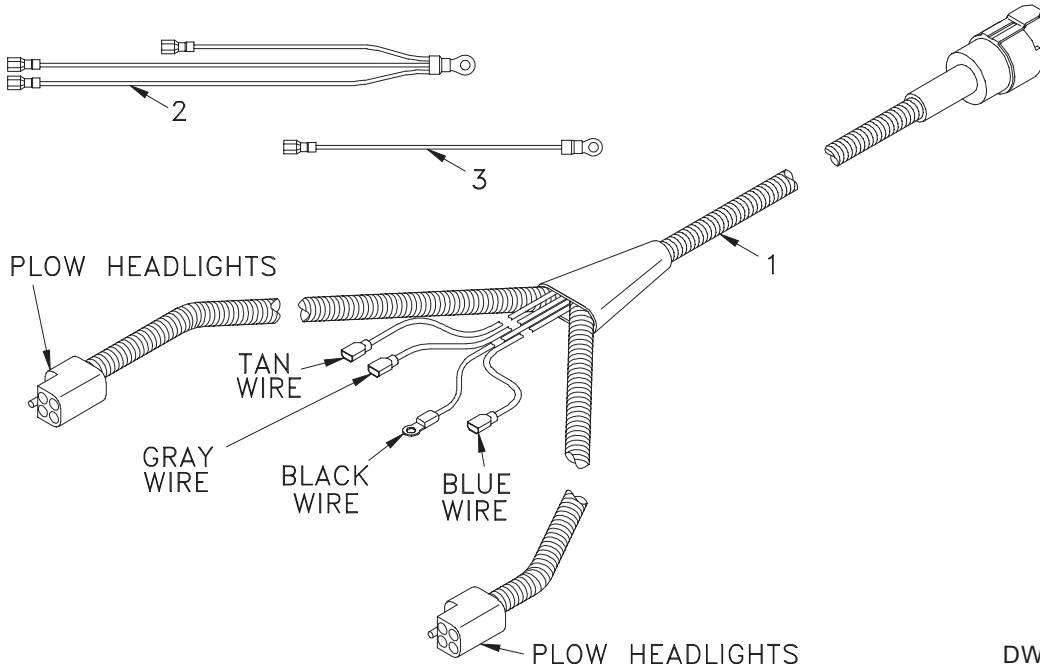
MOTOR SOLENOID



DWG. NO. 6559

REF. NO.	PART NUMBER	DESCRIPTION	QTY.	REF. NO.	PART NUMBER	DESCRIPTION	QTY.
1	38350015	Motor Solenoid, Sealed	1	3	38813012	Solenoid Cable, Red	1
2	950-005-004	Self Tapping Screw 1/4-20 x 1/2 Hex Washer Head	2				

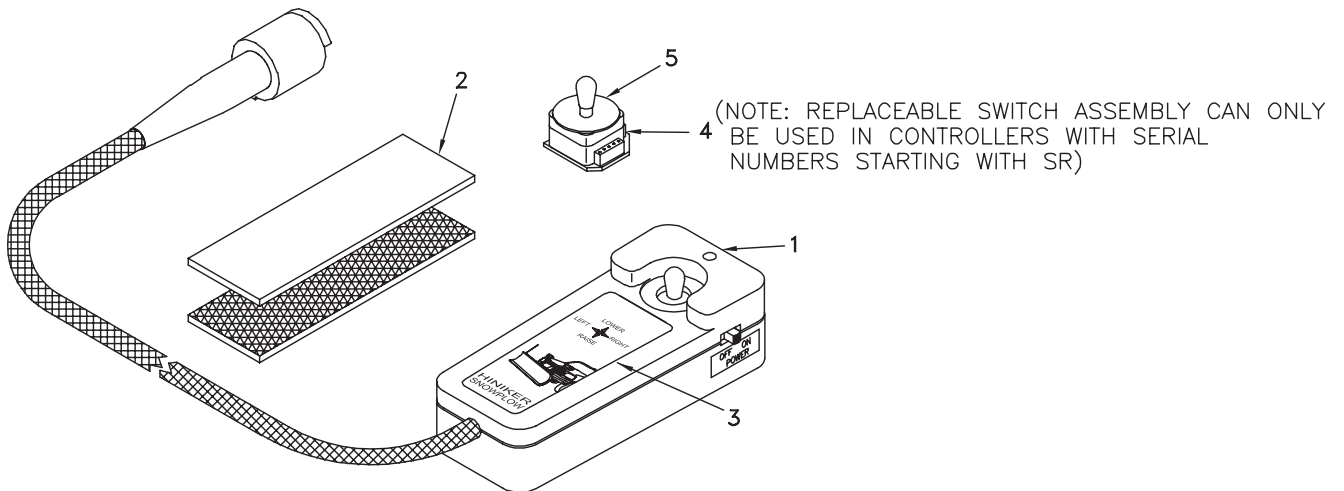
PLOW WIRING HARNESS



DWG. NO. 6558

REF. NO.	PART NUMBER	DESCRIPTION	QTY.	REF. NO.	PART NUMBER	DESCRIPTION	QTY.
1	38813036	External Cable Assembly - Snow Plow	1	3	38813069	Ground Wire (Use On Power Unit DB-1600)	1
2	38813094	Ground Wire (Use On Power Unit DB-7929-2)	1				

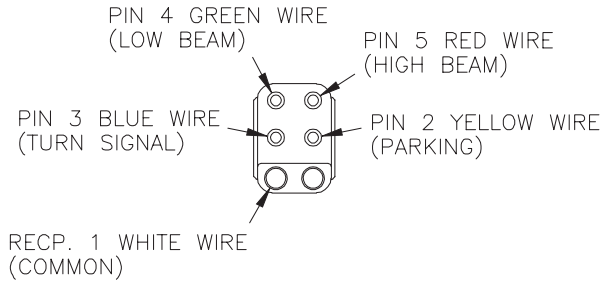
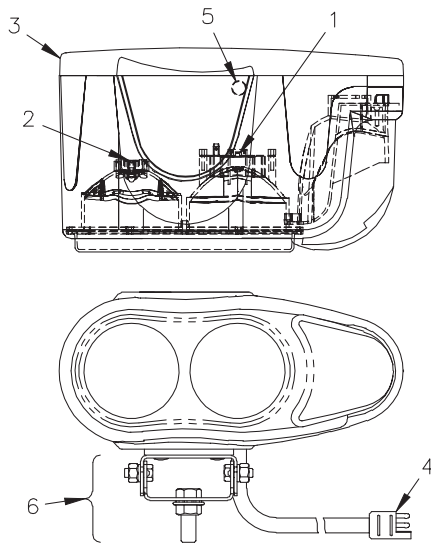
JOYSTICK CONTROLLER



DWG. NO. 5925

REF. NO.	PART NUMBER	DESCRIPTION	QTY.	REF. NO.	PART NUMBER	DESCRIPTION	QTY.
1	36014020	Joystick Straight W/Replaceable Switch	1	4	36014019	Replaceable Switch Assembly	1
2	39108005	Hook & Loop Assembly	1	5	36716033	Gasket	1
3	39302141	Decal, Straight Plow Joystick, 2 Sided	1				

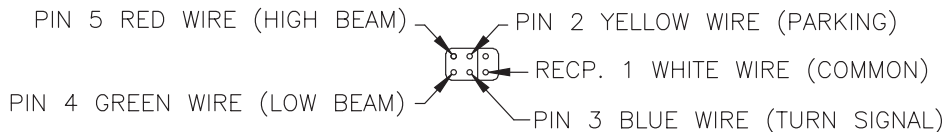
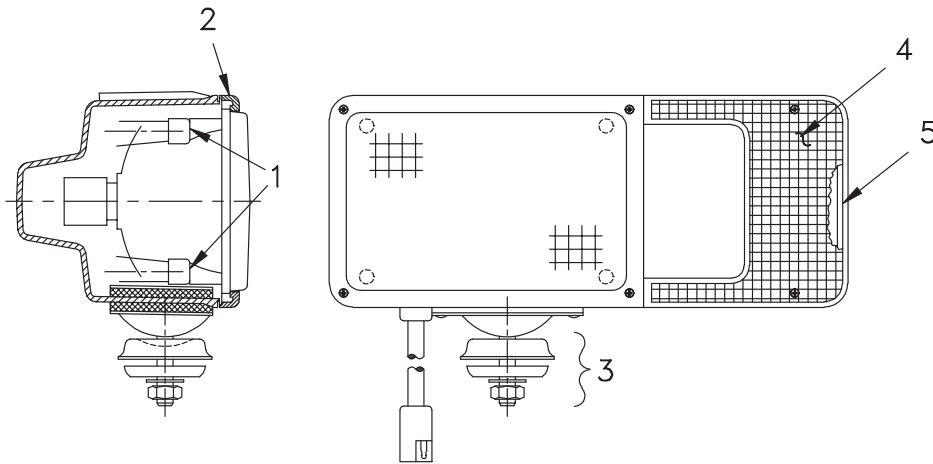
COMPOSITE HEADLAMPS



DWG. NO. 6628

REF. NO.	PART NUMBER	DESCRIPTION	QTY.	REF. NO.	PART NUMBER	DESCRIPTION	QTY.
	25012793	LH Light Assembly	1	5	25012417	Conduit Clamp	1
	25012792	RH Light Assembly	1	6	25012794	Mounting Hardware Kit	1
1	25012416	Spring Clip, High Beam	1		N/A	High Beam Headlight Bulb - One #H1 12V, 55W	1
2	25012415	Spring Clip, Low Beam	1		N/A	Low Beam Headlight Bulb - One #H7 12V, 55W	1
3	25012414	Back Panel, LH Light	1		N/A	Turn Signal/Parking Bulb - One #1157 Heavy Duty Double Contact 32/3 C.P.	1
	25012419	Back Panel, RH Light	1				
4	25012418	Wire Harness	1				

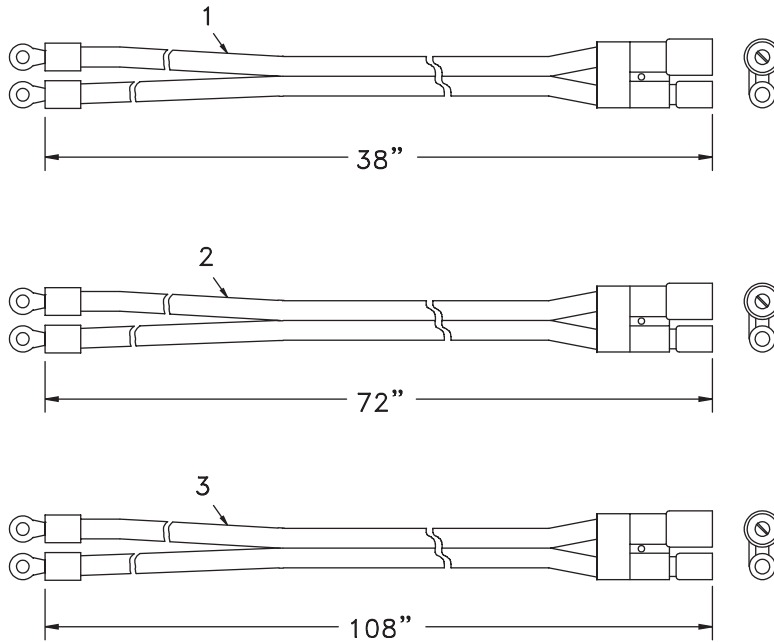
SEALED BEAM HEADLAMPS



DWG. NO. 3893

REF. NO.	PART NUMBER	DESCRIPTION	QTY.	REF. NO.	PART NUMBER	DESCRIPTION	QTY.
	25010918	LH Light Assy (5 Pin Connector)		5	25010731	Head Lamps Lens Gasket	1
	25010919	RH Light Assy (5 Pin Connector)			N/A	Sealed Beam - HP6545 12VDC	1
1	25010727	Head Lamp Bumper	4			4.00" x 6.50" (100 mm x 165 mm)	
2	25010728	Head Lamp Rim	1			Rectangular Hi/Lo (65W/45W)	
3	25010729	Head Lamp Swivel Kit	1		N/A	Turn Signal/Park Bulb One #1157 Heavy Duty Double Contact 32/3 C.P.	1
4	25010730	Head Lamp Lens	1				

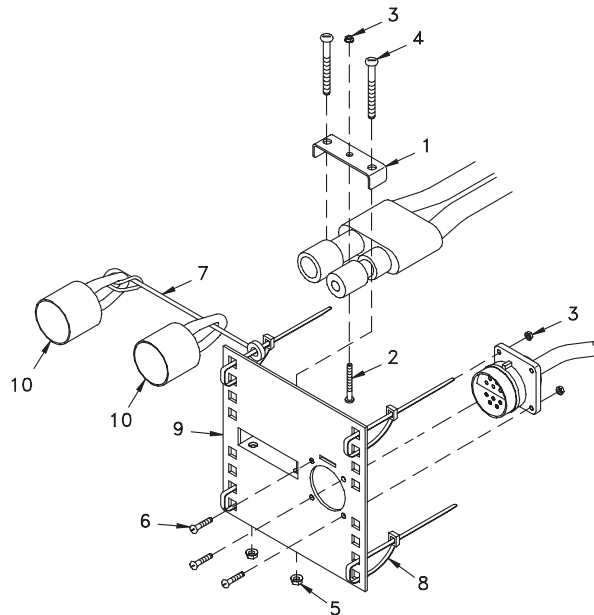
POWER CABLES



DWG. NO. 5342

REF. NO.	PART NUMBER	DESCRIPTION	QTY.	REF. NO.	PART NUMBER	DESCRIPTION	QTY.
1	38812008	Battery Power Cable - Snow Plow	1	3	38813066	Battery Power Cable - Truck 9 Ft.	1
2	38813007	Battery Power Cable - Truck 6 Ft.	1				

GRILL MOUNT PLATE



DWG. NO. 3900A

REF. NO.	PART NUMBER	DESCRIPTION	QTY.	REF. NO.	PART NUMBER	DESCRIPTION	QTY.
	25010512	Complete Mount Plate Kit (Items 1-10)		6	950-004-033	Machine Screw #6-32 x 1/2 Slotted Pan Head	4
1	25011037	Clamp	1	7	36716025	Nylon Lanyard 8"	1
2	700-10904	Machine Screw #6-32 x 1 Slotted Pan Head	1	8	367-001-011	Cable Tie 14"	4
3	951-003-014	Lock Nut #6-32 Nylon Insert	5	9	25010278	Plug Mount Plate	1
4	950-004-076	Machine Screw #10-24 x 1 1/2 Slotted Pan Head	2	10	36716002	Dust Cap	2
5	392-010-010	Lock Nut #10-24 Nylon Insert	2				

