

# SECTION 3

# STEEL V-PLOW

FOR SERIES 1852, 1952 V-PLOWS

## PLOW COMPONENTS

- PAGE 2 MOLDBOARD ASSEMBLIES
- PAGE 3 PUSH FRAME ASSEMBLY
- PAGE 4 LIFT FRAME ASSEMBLY
- PAGE 5 POWER UNIT COVER ASSEMBLY  
WEAR PLATE KIT
- PAGE 6 CURB GUARD KITS  
RUBBER SNOW DEFLECTOR KITS
- PAGE 7 POLY SNOW DEFLECTOR KITS

## HYDRAULIC COMPONENTS

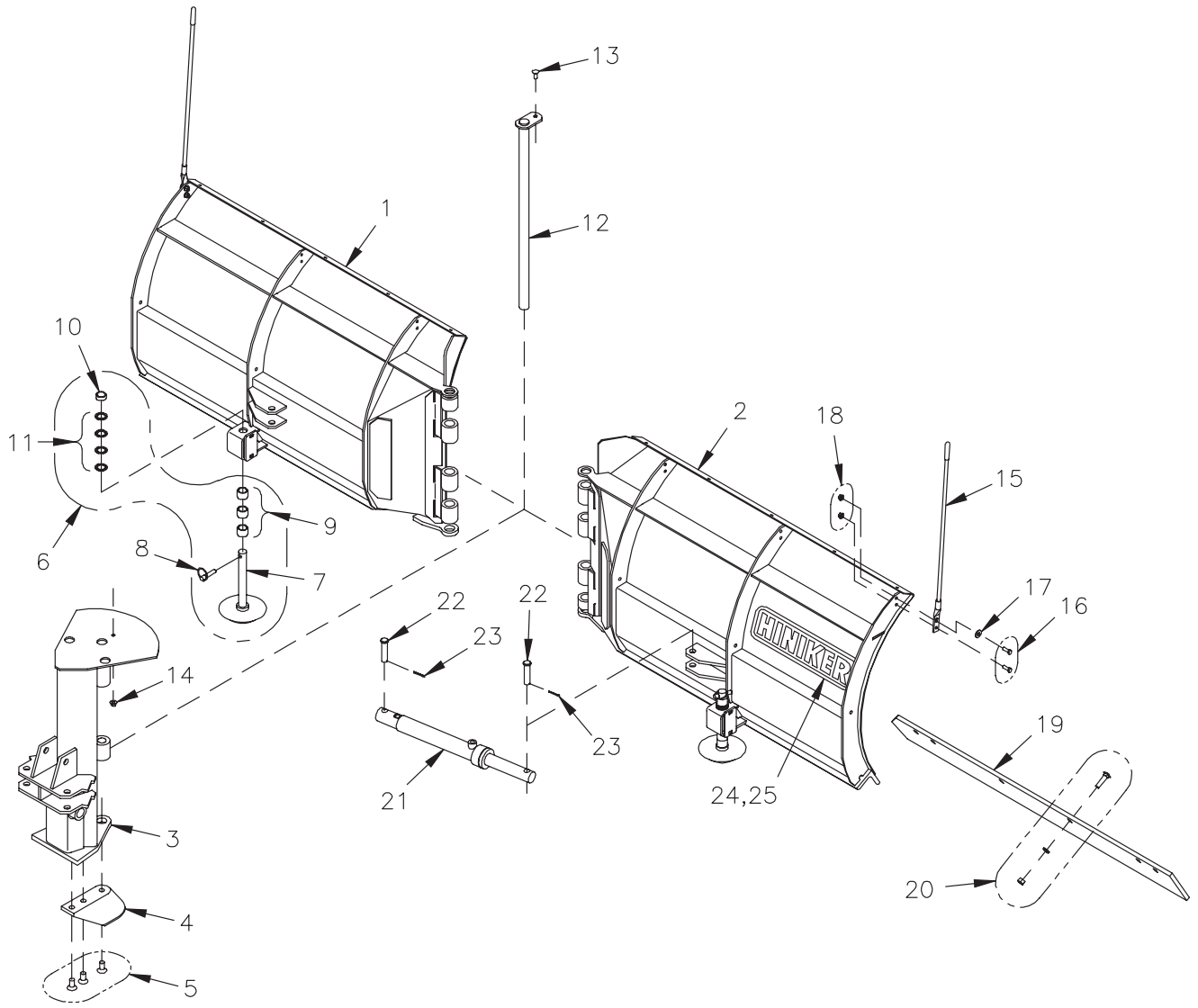
- PAGE 7 HYDRAULIC OVERVIEW
- PAGE 8 POWER UNIT - MTE MODEL S203T-5051
- PAGE 9 LIFT CYLINDERS  
ANGLE CYLINDER

## ELECTRICAL COMPONENTS

- PAGE 10 PLOW WIRING HARNESS  
JOYSTICK CONTROLLER
- PAGE 11 UNDERHOOD WIRING HARNESS  
POWER CABLES
- PAGE 12 HEADLAMPS  
GRILL MOUNT PLATE

MOLDBOARD ASSEMBLIES

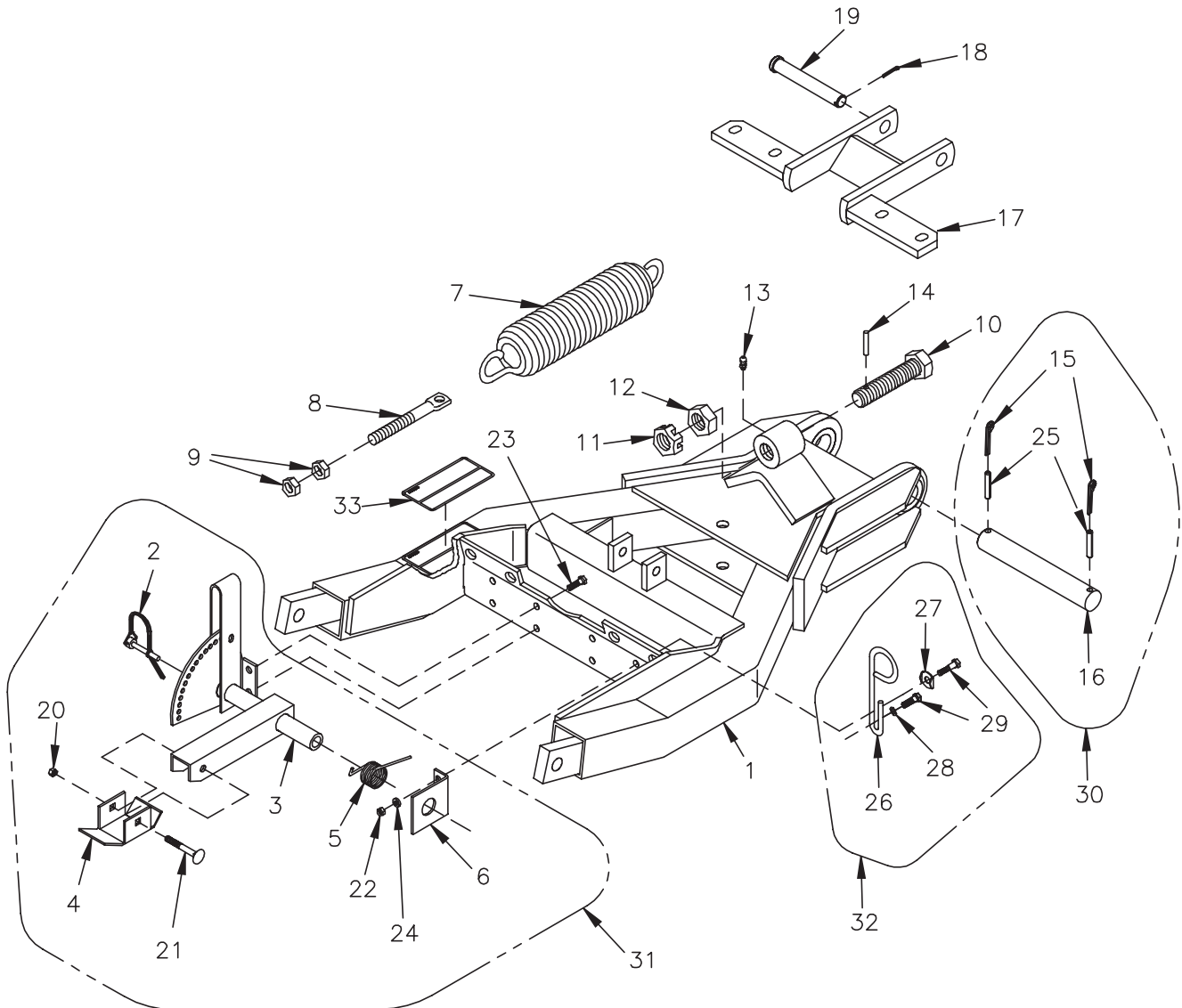
SEC  
3



DWG. NO. 5874

REF. NO.	PART NUMBER	DESCRIPTION	QTY.	REF. NO.	PART NUMBER	DESCRIPTION	QTY.
1	25011206	LH Wing Weldment, 8 1/2' V-Plow	1	14	951-005-003	Lock Nut 3/8-16 Mac Lock	1
	25011208	LH Wing Weldment, 9 1/2' V-Plow	1	15	25010118	Blade Guide	2
2	25011207	RH Wing Weldment, 8 1/2' V-Plow	1	16	950-001-110	Hex Head Cap Screw 5/16-18 x 1 Gr. 5	4
	25011209	RH Wing Weldment, 9 1/2' V-Plow	1	17	952-002-002	Flat Washer 5/16 Inch	2
3	25011047	Center Mast Weldment	1	18	951-005-036	Lock Nut 5/16 Mac Lock	4
4	25010813	Cone	1	19	25010688	50" Cutting Edge For 8 1/2' Plow	2
5	950-011-052	Flat Socket Head Cap Screw 5/8-11 x 1 1/4"	3		25010865	56" Cutting Edge For 9 1/2' Plow	2
6	25011487	Cast Iron Skid Assembly	2	20	25011042	Cutting Edge Bolt Kit	1
7	25011478	Cast Iron Skid	2	21	25012046	1 3/4 x 10 Cylinder (See Sec. 3, Page 9)	2
8	25010319	Klik Pin	2	22	953-002-032	Clevis Pin 3/4 x 3	4
9	25010049	1" Skid Spacer	6	23	035-42033	Cotter Pin 5/32 x 1 1/4	4
10	25010048	1/2" Skid Spacer	2	24	85501786	Hiniker Decal 8 x 2 1/2 (9 1/2' Plow Only)	1
11	952-004-071	Machinery Bushing	8	25	79202024	Hiniker Decal 17 1/2 x 5 (8 1/2' Plow)	2
12	25010868	Hinge Pin Weldment	1			Hiniker Decal 17 1/2 x 5 (9 1/2' Plow)	1
13	950-003-029	Carriage Bolt 3/8-16 x 1 Gr. 5	1				

PUSH FRAME ASSEMBLY

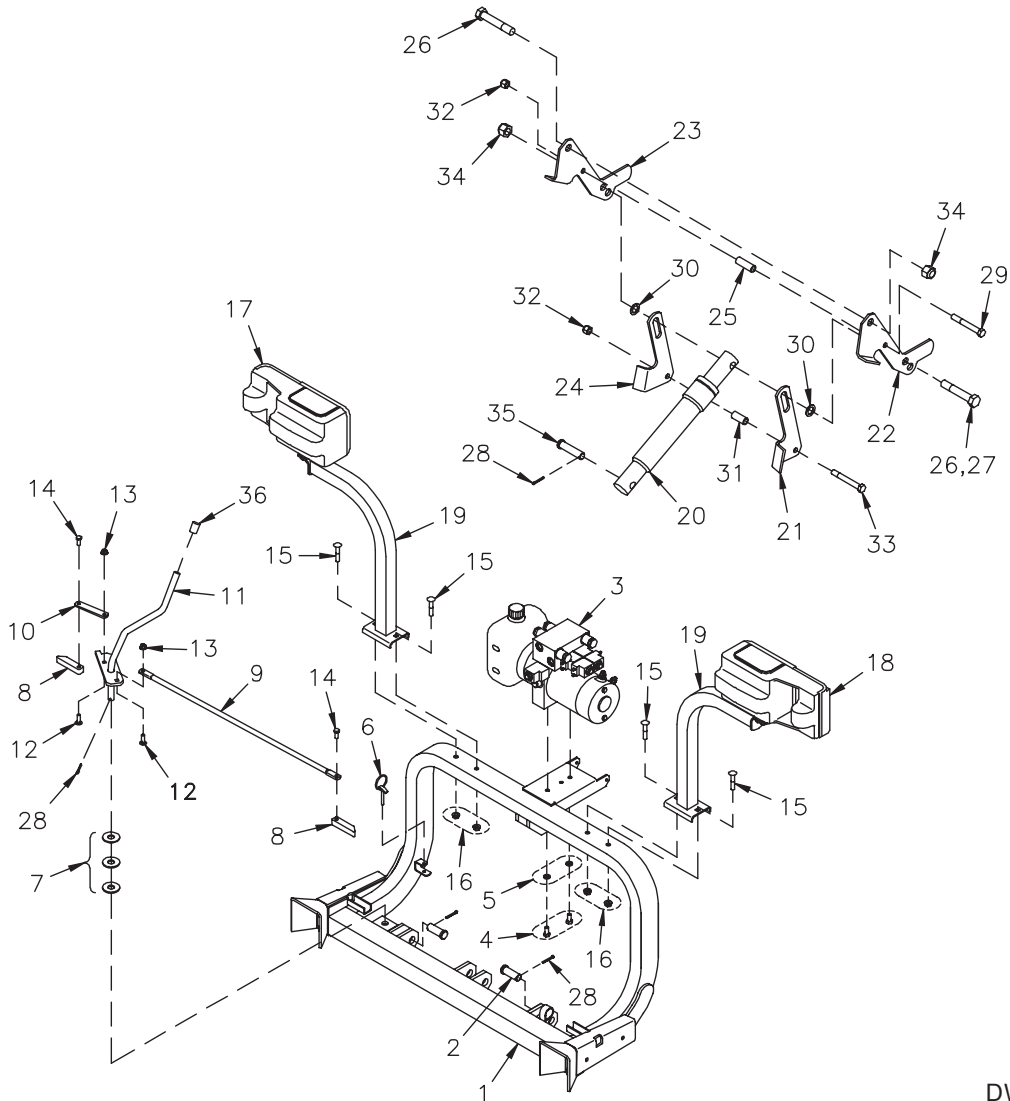


DWG. NO. 3911B

REF. NO.	PART NUMBER	DESCRIPTION	QTY.	REF. NO.	PART NUMBER	DESCRIPTION	QTY.
1	25010999	Push Frame / Decal Assembly	1	17	25010882	Spring Bar Weldment	1
2	25010797	Tab Lock Pin	1	18	035-42033	Cotter Pin 5/32 x 1 1/4	1
3	25010915	Lever Weldment	1	19	953-002-038	Clevis Pin 3/4 x 5 1/2	1
4	25010801	Stand Foot	1	20	951-005-036	Lock Nut 5/16-18 Mac Lock	1
5	25010795	Helical Torsion Spring	1	21	950-003-074	Carriage Bolt 5/16-18 x 2 1/2 Gr. 5	1
6	25010798	Bracket	1	22	951-001-005	Hex Nut, 3/8-16	4
7	25010694	Extension Spring	4	23	950-001-105	Hex Head Cap Screw 3/8-16 x 1 Gr. 5	2
8	25010689	Spring Stud	4	24	952-001-007	Lock Washer, 3/8 Inch	4
9	951-001-008	Hex Nut, 5/8-11	8	25	953-003-011	Slotted Spring Pin 5/16 x 1 3/4	2
10	25011043	Drilled Bolt 1"-8 x 4" Gr. 5	1	26	25011075	Hose Loop	1
	25010696	Drilled Bolt 1"-8 x 4 1/2" Gr. 5	1	27	25011074	Flanged Washer, 3/8 Inch	1
11	034-05138	Slotted Hex Nut 1"-8	1	28	952-002-003	Flat Washer, 3/8 Inch	1
12	951-005-058	Hex Jam Nut 1"-8	1	29	950-001-106	Hex Head Cap Screw 3/8-16 x 1 1/4 Gr. 5	2
13	955-001-002	Grease Fitting 1/4-28	1	30	25011040	Trip Pin Kit	1
14	953-003-006	Slotted Spring Pin 1/4 x 1 1/2	1	31	25011041	Park Stand Kit	1
15	953-001-022	Cotter Pin 1/8 x 2 1/2	2	32	25011076	Hose Loop Kit	1
16	25011059	Trip Pin	1	33	25010697	Caution Decal	1

# STEEL V-PLOW 1852-1952

## LIFT FRAME ASSEMBLY

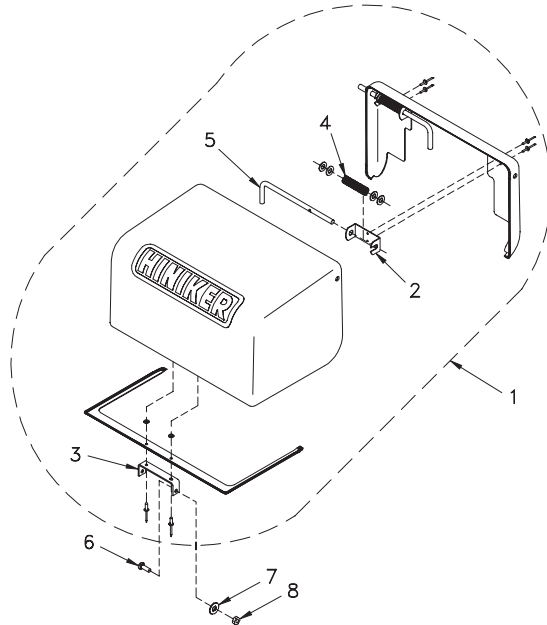


DWG. NO. 5875

REF. NO.	PART NUMBER	DESCRIPTION	QTY.	REF. NO.	PART NUMBER	DESCRIPTION	QTY.
1	25012583	Frame Weldment	1	21	25010390	RH Lower Link	1
2	953-002-031	Clevis Pin 3/4 x 2	2	22	25011045	RH Upper Link	1
3	25012080	Power Unit (See Section 3, Page 8)	1	23	25011044	LH Upper Link	1
4	950-001-089	Hex Head Cap Screw 3/8-16 x 3/4 Gr. 5	2	24	25010389	LH Lower Link	1
5	952-001-007	Lock Washer, 3/8 Inch	2	25	25011048	Upper Link Spacer, 8 1/2' V-Plow	1
6	703-00209	Klik Pin	1		25011049	Upper Link Spacer, 9 1/2' V-Plow	1
7	952-002-007	Flat Washer, 5/8 Inch	3	26	950-001-310	Hex Head Cap Screw 3/4-10 x 4 1/4 Gr. 5, 1 1/4" Thread Length, 8 1/2' V-Plow	2
8	25010276	Slider	2		950-001-310	Hex Head Cap Screw 3/4-10 x 4 1/4 Gr. 5, 1 1/4" Thread Length, 9 1/2' V-Plow	1
9	25010274	Long Tie Rod	1	27	950-001-311	Hex Head Cap Screw 3/4-10 x 4 1/2 Gr. 5, 1 1/4" Thread Length, 9 1/2' V-Plow	1
10	25010275	Short Tie Rod	1	28	035-42033	Cotter Pin 5/32 x 1 1/4	4
11	25010410	Handle Weldment	1	29	950-001-124	Hex Head Cap Screw 1/2-13 x 4 Gr. 5	1
12	030-16042	Carriage Bolt 5/16-18 x 1 Gr. 5	2	30	952-004-003	Machine Bushing 25/32 x 1 1/4 x .075	2
13	951-005-036	Lock Nut 5/16-18 Mac Lock	2	31	25010114	Lower Link Spacer	1
14	950-011-042	Hex Head Cap Screw 5/16-18 x 3/4 Nylon Dri-Lock	2	32	951-003-009	Lock Nut 1/2-13 Nylon Insert	2
15	950-003-070	Carriage Bolt 3/8-16 x 2 Gr. 5	4	33	950-001-309	Hex Head Cap Screw 1/2-13 x 4 Gr. 5, 7/8 Thread Length	1
16	951-005-003	Lock Nut 3/8-16 Mac Lock	4	34	951-003-010	Lock Nut, 3/4-10 Nylon Insert	2
17	25010918	LH Light Assembly (See Sec. 3, Page 12)	1	35	953-002-032	Clevis Pin 3/4 x 3	1
18	25010919	RH Light Assembly (See Sec. 3, Page 12)	1	36	25011230	Vinyl Cap	1
19	25011334	Light Bracket Weldment	2				
20	25010702	1 3/4 x 8 Cylinder - 8 1/2' V-Plow (See Sec 3, Page 9)	1				
	25011019	2 x 8 Cylinder - 9 1/2' V-Plow (See Sec 3, Page 9)	1				

SEC  
3

POWER UNIT COVER ASSEMBLY

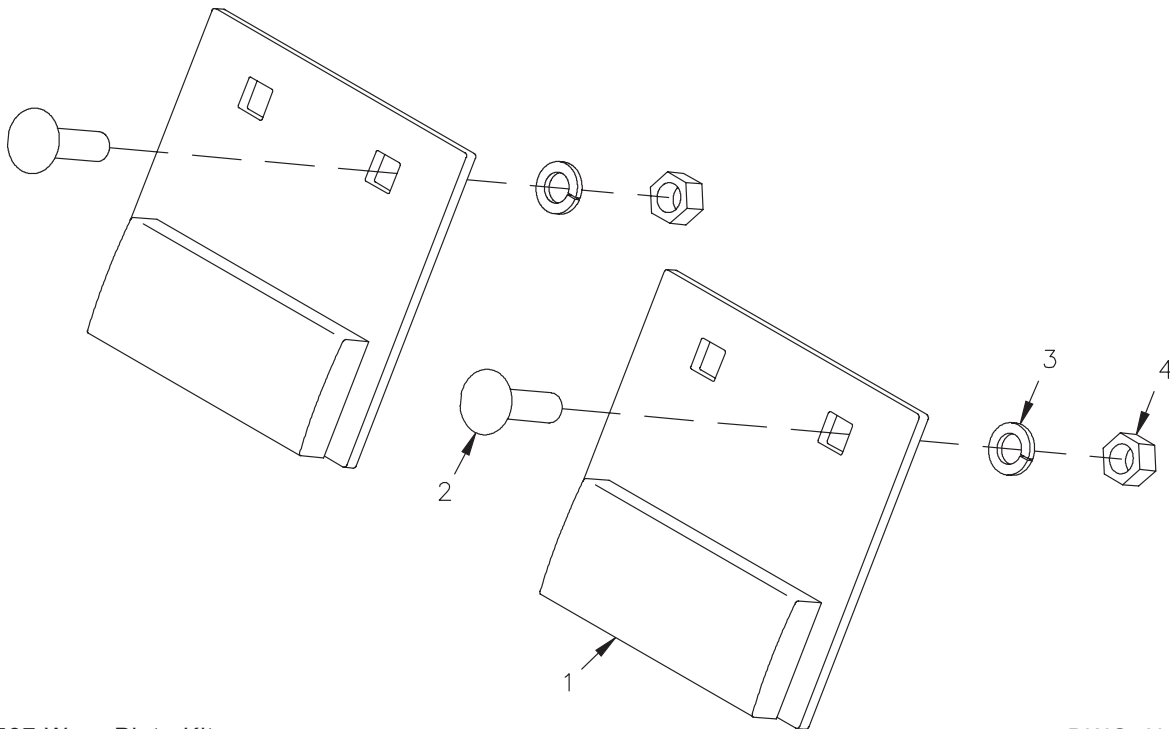


DWG. NO. 5559

REF. NO.	PART NUMBER	DESCRIPTION	QTY.	REF. NO.	PART NUMBER	DESCRIPTION	QTY.
1	25011070	Cover Assembly (Includes Items 2-5)	1	5	25011071	Rod	2
2	25011073	Clevis	2	6	031-10657	Machine Screw 1/4-20 x 3/4 Slotted Round Head	2
3	25011072	Clevis	1	7	952-002-011	Flat Washer 1/4 Inch	2
4	25010717	Compression Spring	2	8	060954	Lock Nut 1/4-20 Nylon Insert	2

SECTION 3

WEAR PLATE KIT



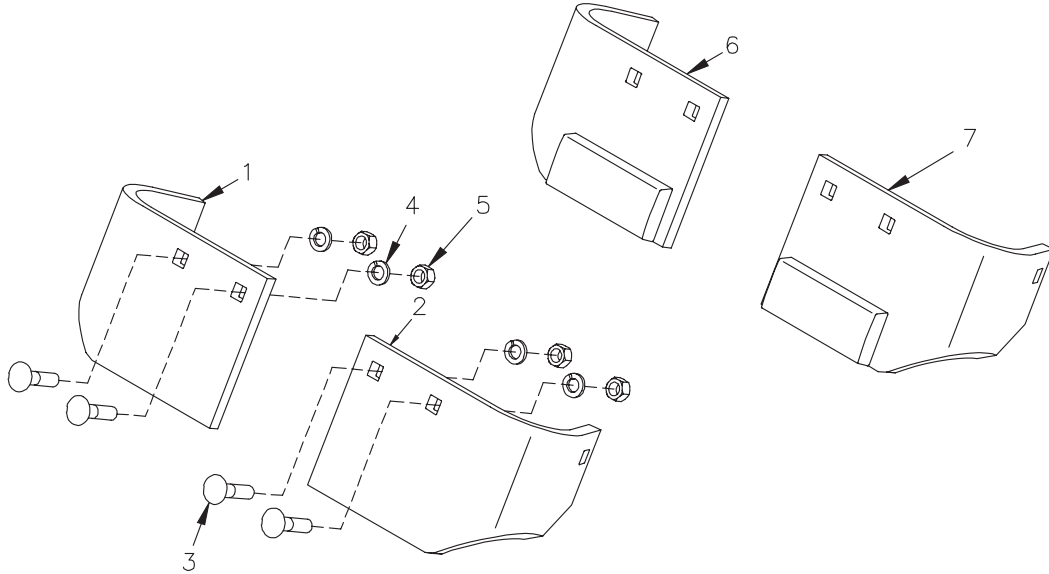
25012587 Wear Plate Kit

DWG. NO. 6331

REF. NO.	PART NUMBER	DESCRIPTION	QTY.	REF. NO.	PART NUMBER	DESCRIPTION	QTY.
1	25012588	Wear Plate Weldment	2	3	952-001-004	Lock Washer 1/2 Inch	4
2	950-003-058	Carriage Bolt 1/2-13 x 1 3/4 Gr. 5	4	4	951-001-007	Hex Nut 1/2-13	4

STEEL V-PLOW 1852-1952

CURB GUARD KIT

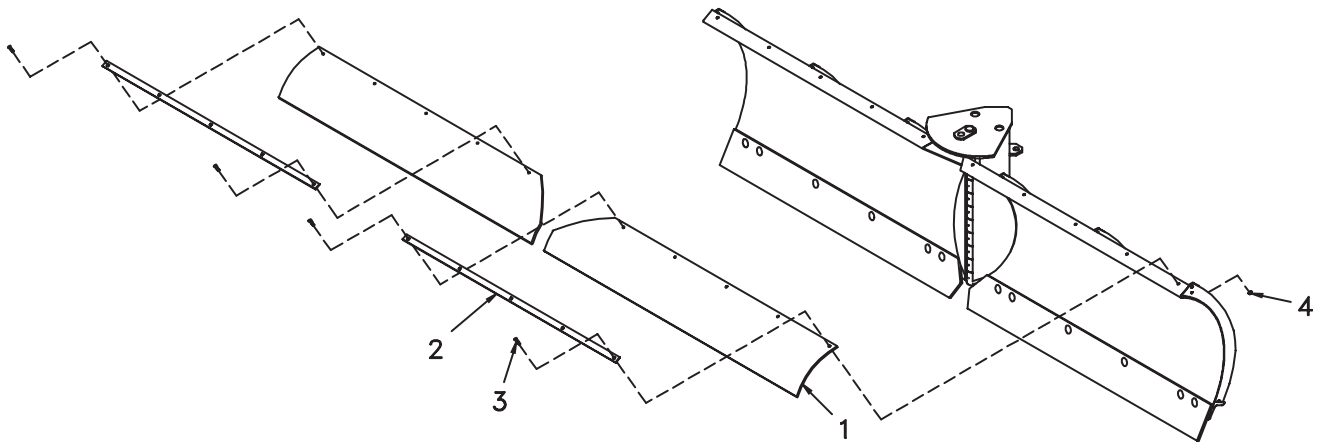


25011695 Curb Guard Kit - Standard  
 25012726 Curb Guard Kit With Wear Bars

DWG. NO. 5486

REF. NO.	PART NUMBER	DESCRIPTION	QTY.	REF. NO.	PART NUMBER	DESCRIPTION	QTY.
1	25011712	RH Curb Guard - Standard	1	5	951-001-007	Hex Nut 1/2-13	4
2	25011713	LH Curb Guard - Standard	1	6	25012722	RH Curb Guard With Wear Bar	1
3	950-003-025	Carriage Bolt 1/2-13 x 2 Gr. 5	4	7	25012723	LH Curb Guard With Wear Bar	1
4	952-001-004	Lock Washer 1/2 Inch	4				

RUBBER SNOW DEFLECTOR KITS

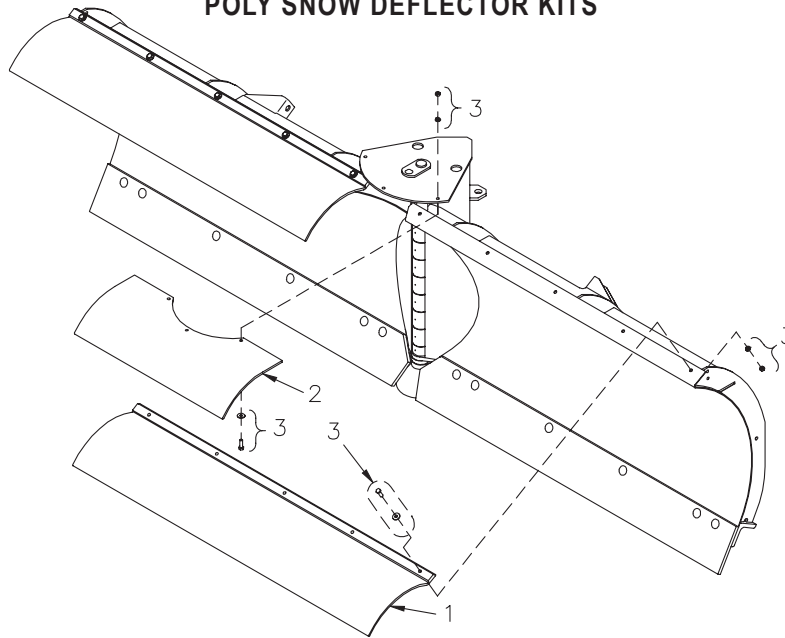


25010633 Snow Deflector Kit For 8 1/2' V-Plow  
 25010910 Snow Deflector Kit For 9 1/2' V-Plow

DWG. NO. 3684A

REF. NO.	PART NUMBER	DESCRIPTION	QTY.	REF. NO.	PART NUMBER	DESCRIPTION	QTY.
1	25010695	Snow Deflector, 8 1/2' V-Plow	2	3	030-16042	Carriage Bolt 5/16-18 x 1" Gr. 5, 8 1/2' V-Plow	10
	25010912	Snow Deflector, 9 1/2' V-Plow	2			Carriage Bolt 5/16-18 x 1" Gr. 5, 9 1/2' V-Plow	12
2	25010690	Snow Deflector Strap, 8 1/2' V-Plow	2	4	951-005-036	Lock Nut 5/16-18 Mac Lock, 8 1/2' V-Plow	10
	25010911	Snow Deflector Strap, 9 1/2' V-Plow	2			Lock Nut 5/16-18 Mac Lock, 9 1/2' V-Plow	12

POLY SNOW DEFLECTOR KITS



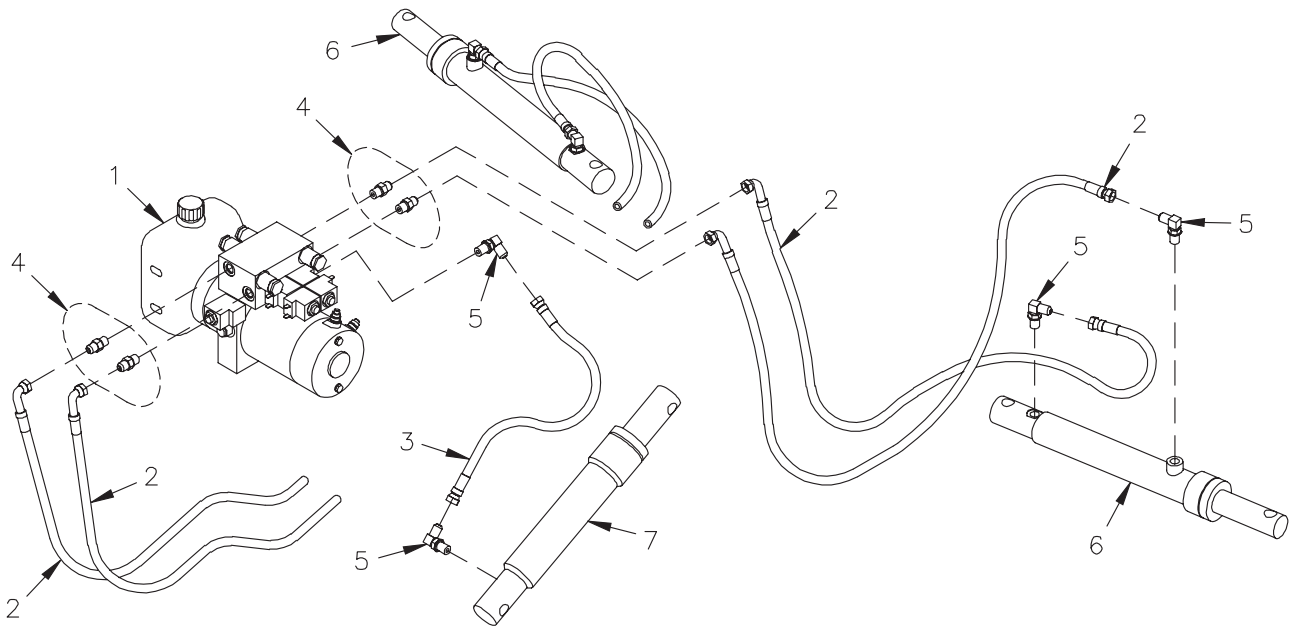
25011791 Poly Snow Deflector Kit For 8 1/2' V-Plow  
 25011792 Poly Snow Deflector Kit For 9 1/2' V-Plow

DWG. NO. 5679

REF. NO.	PART NUMBER	DESCRIPTION	QTY.	REF. NO.	PART NUMBER	DESCRIPTION	QTY.
1	25011794	8' Snow Deflector Extrusion (Cut Into Two Lengths)	1	2	25011796	Center Deflector	1
	25011982	4 1/2' Snow Deflector Extrusion	2	3	25011793	Bolt Box Snow Deflector	1

SEC 3

HYDRAULIC OVERVIEW



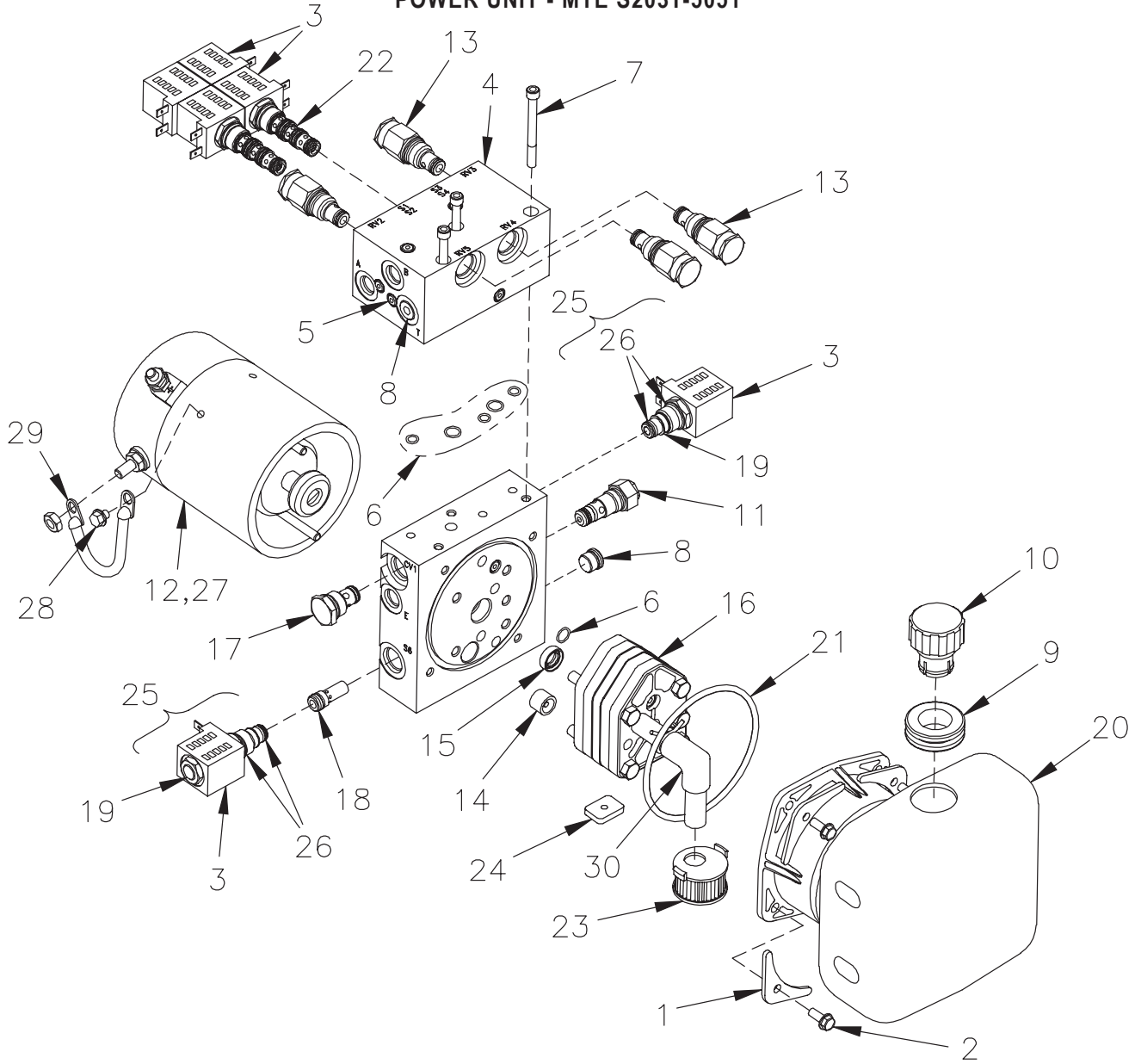
DWG. NO. 5876

REF. NO.	PART NUMBER	DESCRIPTION	QTY.	REF. NO.	PART NUMBER	DESCRIPTION	QTY.
1	25012080	Power Unit (See Section 3, Page 8)	1	5	956-005-022	90° Adapter 9/16 ORB x 9/16 JIC	6
2	957-021-000	Hydraulic Hose Assembly 1/4 x 66	4	6	25012046	1 3/4 x 10 Double-Acting Cylinder (See Sec 3, Pg 9)	2
3	957-010-005	Hydraulic Hose Assembly 1/4 x 32	1	7	25010702	1 3/4 x 8 Cylinder - 8 1/2' Plow (See Sec 3, Pg 9)	1
4	206-01024	Straight Adapter 9/16 ORB x 9/16 JIC	4		25011019	2 x 8 Cylinder - 9 1/2' Plow (See Sec 3, Pg 9)	1

STEEL V-PLOW 1852-1952

POWER UNIT - MTE S203T-5051

SEC  
3



25012080 Power Unit - MTE Model S203T-5051

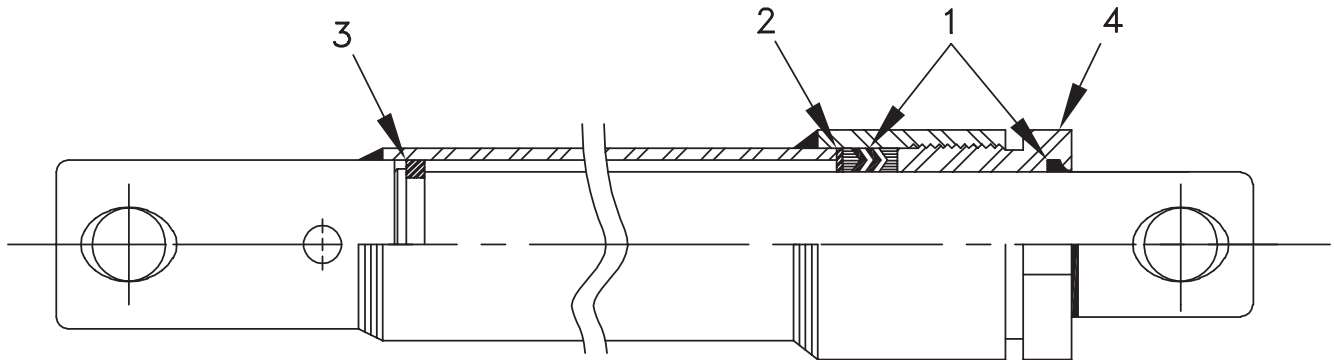
DWG. NO. 5866

REF. NO.	PART NUMBER	DESCRIPTION	QTY.	REF. NO.	PART NUMBER	DESCRIPTION	QTY.
1	25012154	Clamp, Tank Mounting	4	16	25012231	Pump (Without Milled Undercut For Filter)	1
2	950-004-104	Machine Screw 1/4-20 x 3/4 H WHD	4	17	25012164	Pump (With Milled Undercut For Longer Filter)	1
3	25011667	Coil Assembly 16W 10V	6	18	25012165	Check Valve	1
4	25012155	Manifold V-Plow	1	19	25012166	Flow Control, 2.5 GPM	1
5	25012156	Zero-Leak Plug, 5/16-24	14	20	25010544	Cartridge Valve	2
6	25012170	O-Ring Seal Kit	1	21	25012167	Tank 2.5 Quart	1
7	950-004-095	Socket Head Cap Screw 1/4-20 x 2 1/2	3	22	25012168	O-Ring, Reservoir	1
8	25012157	Zero-Leak Plug, 9/16-18	2	23	25011525	Spool Valve	2
9	25012158	Grommet	1	24	25012169	Filter, Round Plastic	1
10	25012159	Breather	1	25	25010220	Plumbing Magnet	1
11	25012160	Relief Valve	1	26	25011654	Release Valve Kit	2
12	25012205	Motor DC 12 Volt 2-Terminal	1	27	25010992	O-Ring Kit	1
13	25010985	Crossover Relief Valve	4	28	25012173	Motor Brush Kit	1
14	25012232	Bronze Filter 1/2" Long (Used With 25012231 Pump Without Milled Undercut)	1	29	950-004-072	Machine Screw 1/4-20 x 1/4 Hex WHD (Only Required On Motors With Ceramic Washer Under (-) Terminal)	1
	25012162	Bronze Filter 3/4" Long (Used With 25012164 Pump With Milled Undercut)	1	30	38813082	Ground Wire (Only Required On Motors With Ceramic Washer Under (-) Terminal)	1
15	25012163	Oil Seal, Pump	1		25012631	Elbow	1



LIFT CYLINDERS

SEC  
3

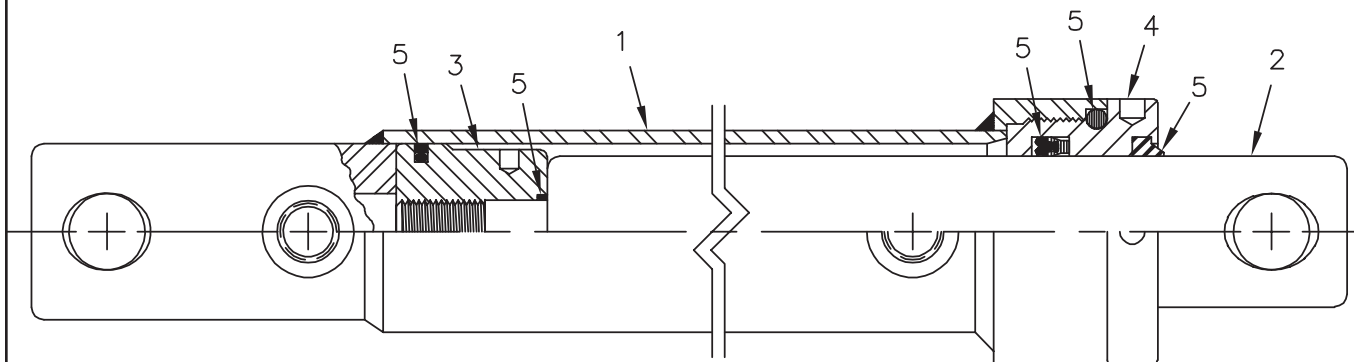


25010702 1 3/4 x 8 Cylinder  
25011019 2 x 8 Cylinder

DWG. NO. 5877

REF. NO.	PART NUMBER	DESCRIPTION	QTY.	REF. NO.	PART NUMBER	DESCRIPTION	QTY.
1	25010711	Seal Kit - 1 3/4" Rod	1	3	25010707	Guide Ring - 1 3/4" Rod	1
	25011022	Seal Kit - 2" Rod	1		25011024	Guide Ring - 2" Rod	1
2	25010706	Seat Ring - 1 3/4" Rod	1	4	25010708	Packing Nut - 1 3/4" Rod	1
	25011023	Seat Ring - 2" Rod	1		25011025	Packing Nut - 2" Rod	1

ANGLE CYLINDER

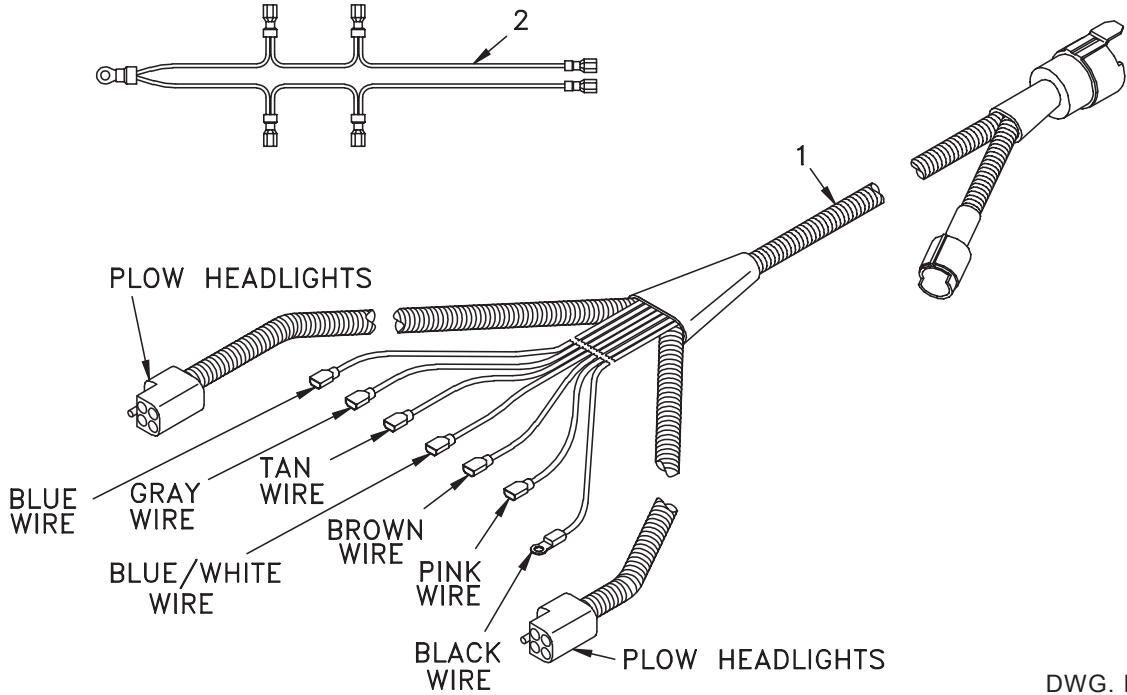


25012046 1 3/4 x 10 Cylinder

DWG. NO. 5878

REF. NO.	PART NUMBER	DESCRIPTION	QTY.	REF. NO.	PART NUMBER	DESCRIPTION	QTY.
1	25012055	Body Assembly	1	4	25012052	Rod Gland	1
2	25012054	Rod	1	5	25012088	Seal Kit	1
3	25012053	Piston	1				

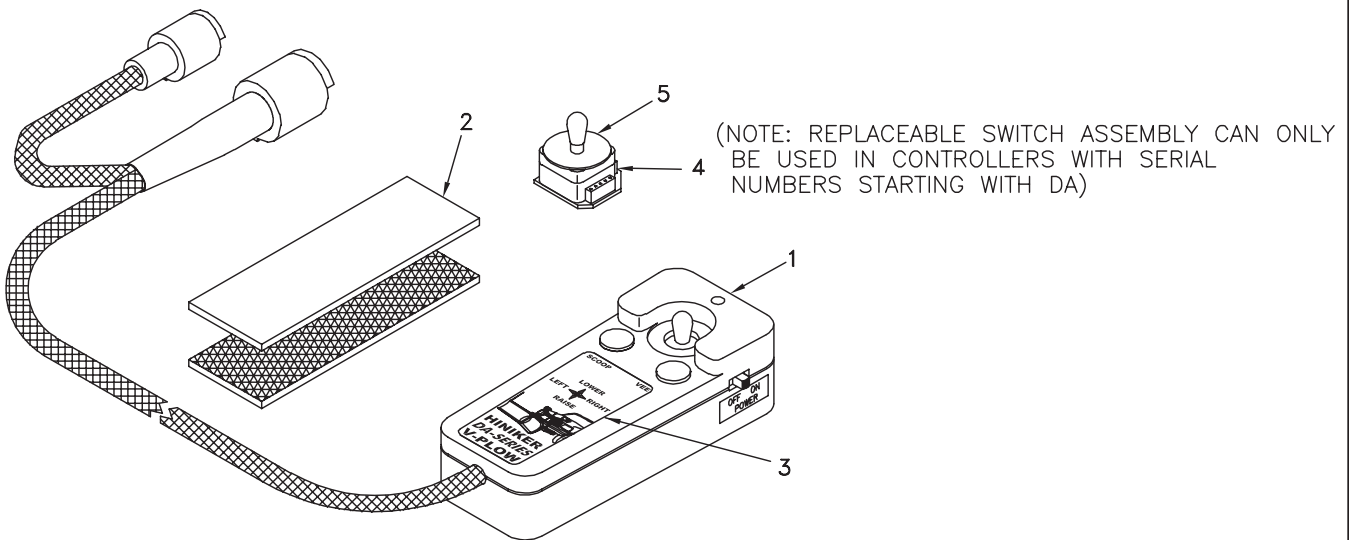
PLOW WIRING HARNESS



DWG. NO. 5228

REF. NO.	PART NUMBER	DESCRIPTION	QTY.	REF. NO.	PART NUMBER	DESCRIPTION	QTY.
1	38813035	6 Function External Cable Assembly	1	2	38813070	Ground Harness With 5/16" Ring	1

JOYSTICK CONTROLLER



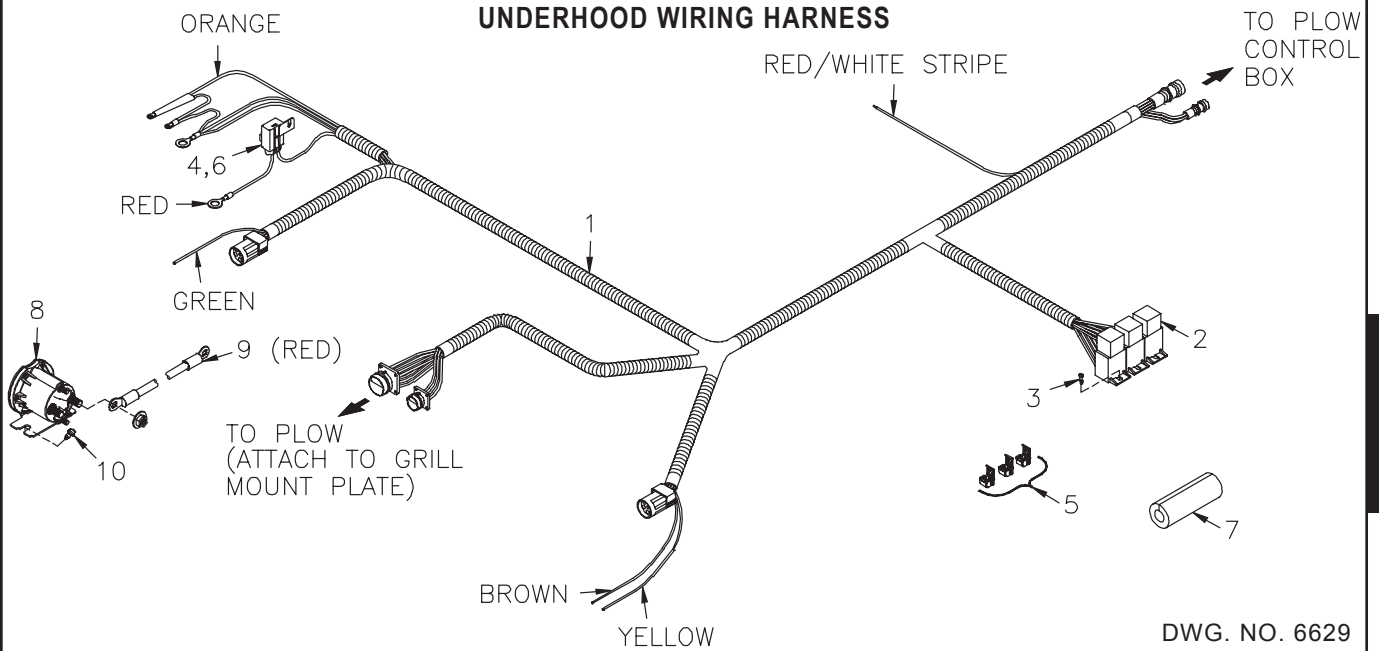
DWG. NO. 5928

REF. NO.	PART NUMBER	DESCRIPTION	QTY.	REF. NO.	PART NUMBER	DESCRIPTION	QTY.
1	36014026	Controller DA V-Plow	1	4	36014019	Switch Assembly	1
2	39108005	Hook & Loop Assembly	1	5	36716033	Gasket, Neoprene	1
3	39302153	Decal DA Joystick Top 2 Sided	1				

SEC 3

# STEEL V-PLOW 1852-1952

## UNDERHOOD WIRING HARNESS

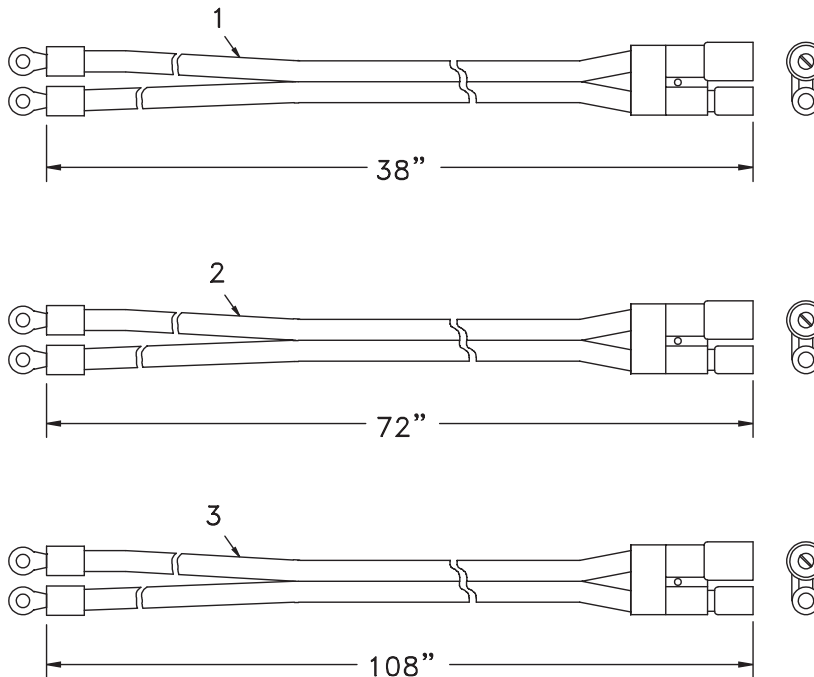


DWG. NO. 6629

REF. NO.	PART NUMBER	DESCRIPTION	QTY.	REF. NO.	PART NUMBER	DESCRIPTION	QTY.
1	38813033	Harness, 6 Function Underhood (Includes Relays And Fuses)	1	6	38400012	Cover, Fuse Holder	1
2	38350010	Head Light/Accessory Relay	3	7	39107001	Foam Grommet 4" Long	1
3	031-30078	Self Tap Screw #8-18 x 1/2 Slotted Hex Head	3	8	38350015	Starter Solenoid, Sealed	1
4	39207031	10 Amp Fuse	1	9	950-005-004	Self Tap Screw 1/4-20 x 1/2 Hex Washer Head	2
5	38610104	Sealed Quick Connect	3	10	38813012	Solenoid Cable, Red	1

SECTION 3

## POWER CABLES

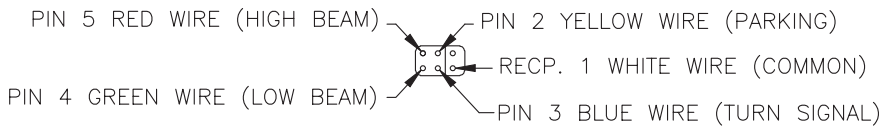
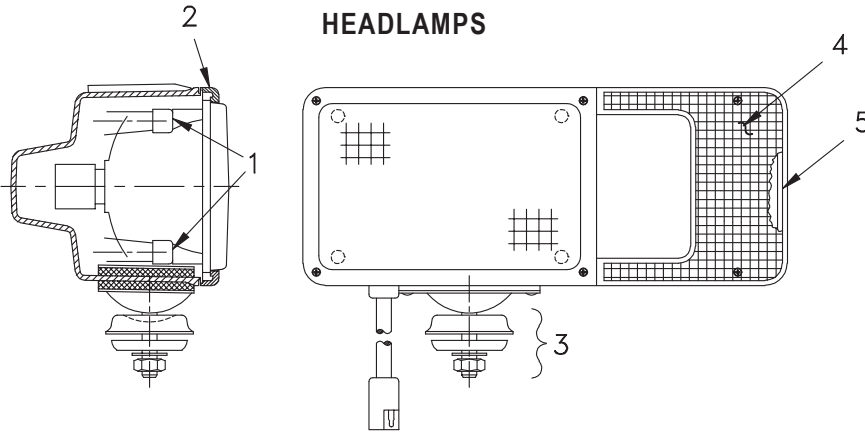


DWG. NO. 5342

REF. NO.	PART NUMBER	DESCRIPTION	QTY.	REF. NO.	PART NUMBER	DESCRIPTION	QTY.
1	38812008	Battery Power Cable - Snow Plow	1	3	38813066	Battery Power Cable - Truck 9 Ft.	1
2	38813007	Battery Power Cable - Truck 6 Ft.	1				

STEEL V-PLOW 1852-1952

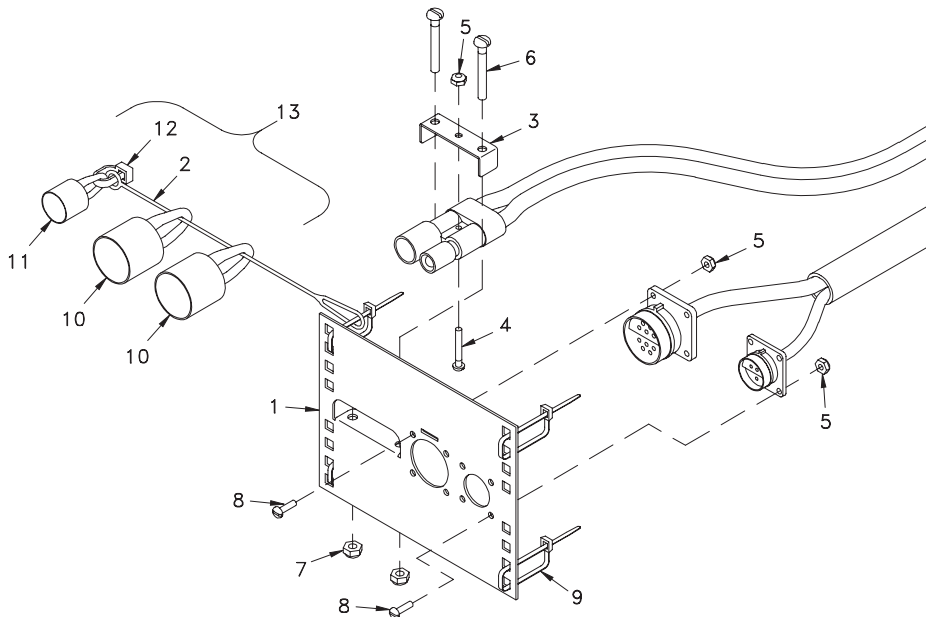
HEADLAMPS



DWG. NO. 3893

REF. NO.	PART NUMBER	DESCRIPTION	QTY.	REF. NO.	PART NUMBER	DESCRIPTION	QTY.
	25010918	LH Light Assy (5 Pin Connector)		5	25010731	Head Lamps Lens Gasket	1
	25010919	RH Light Assy (5 Pin Connector)			N/A	Sealed Beam - HP6545 12VDC	1
1	25010727	Head Lamp Bumper	4			4.00" x 6.50" (100 mm x 165 mm)	
2	25010728	Head Lamp Rim	1			Rectangular Hi/Lo (65W/45W)	
3	25010729	Head Lamp Swivel Kit	1		N/A	Turn Signal/Park Bulb One #1157 Heavy Duty	1
4	25010730	Head Lamp Lens	1			Double Contact 32/3 C.P.	

GRILL MOUNT PLATE



DWG. NO. 6332

REF. NO.	PART NUMBER	DESCRIPTION	QTY.	REF. NO.	PART NUMBER	DESCRIPTION	QTY.
	25010783	Complete Mount Plate Kit Items 1-13	1	7	392-010-010	Lock Nut #10-24 Nylon Insert	2
1	36507004	Plug Mount Plate	1	8	950-004-033	Machine Screw #6-32 x 1/2 Slotted Pan Head	8
2	36716025	Nylon Lanyard 8"	1	9	367-001-011	Plastic Tie, 14"	4
3	25011037	Clamp	1	10	36716002	Large Dust Cap	2
4	700-10904	Machine Screw #6-32 x 1" Slotted Pan Head	1	11	36716034	Small Dust Cap	1
5	951-003-014	Lock Nut #6-32 Nylon Insert	9	12	367-001-014	Cable Tie, 8 In.	1
6	950-004-076	Machine Screw #10-24 x 1 1/2 Slotted Pan Head	2	13	36014018	Dust Cap Assembly	1

SEC 3